

PARTS CATALOG

**iR C6800/5800/6870/5870
Series**

Canon

Jul 2 2012

PREFACE

This Parts Catalog contains listings of parts used

Diagrams are provided with the listings to aid the service technician in identifying clearly, the item to be ordered.

Whenever ordering parts, consult this Parts Catalog for all of the information pertaining to each item. Be sure to include, in the Parts Request, the full item description, the item part number, and the quantity.

COPYRIGHT (C) 1999 CANON INC.

Use of this manual should be strictly supervised to avoid disclosure of confidential information.

Contents

NUMERICAL INDEX

iR C6800/5800/6870/5870 Series(Numerical Index) 1-1

iR C6800/5800/6870/5870 Series(Parts Catalog)

A	ASSEMBLY LOCATION DIAGRAM	2-1
001	ADF ACCESSORY	2-9
002	CASSETTE ACCESSORY	2-10
003	CD - ROM 付属品	2-11
100	EXTERNAL COVERS, PANELS, ETC.	2-13
101	MACHINE FRONT PLATE	2-17
102	INTERNAL COMPONENTS 1	2-20
103	INTERNAL COMPONENTS 2	2-22
104	INTERNAL COMPONENTS 3	2-24
105	INTERNAL COMPONENTS 4	2-27
106	MACHINE REAR PLATE 1	2-30
107	MACHINE REAR PLATE 2	2-33
108	MACHINE BOTTOM PLATE	2-35
110	POWER CORD TERMINAL ASSEMBLY	2-36
130	CONTROL PANEL ASSEMBLY	2-39
140	RIGHT DOOR ASSEMBLY	2-42
190	FIXING EXHAUST FAN ASSEMBLY	2-44
191	PRIMARY EXHAUST FAN ASSEMBLY	2-45
192	TRANSFER CLEANER COOLING FAN ASS'Y	2-46
193	DELIVERY COOLING FAN ASSEMBLY	2-47
194	SCANNER COOLING FAN ASSEMBLY	2-48
210	READER ASSEMBLY	2-49
211	READER FRAME ASSEMBLY	2-52
230	VERTICAL PATH DRIVE ASSEMBLY	2-56
260	EXTERNAL DELIVERY DRIVE ASSEMBLY	2-58
261	CASSETTE PICK-UP DRIVE ASSEMBLY	2-60
262	LEFT PICK-UP DRIVE ASSEMBLY	2-62
263	RIGHT PICK-UP DRIVE ASSEMBLY	2-63
264	MULTI PRE-REG. DRIVE ASSEMBLY	2-65
270	DEVELOPING DRIVE ASSEMBLY	2-67
271	DRUM I.T.B. DRIVE ASSEMBLY	2-70
272	SIDE REGIST. MOTOR ASSEMBLY	2-72
275	HOPPER DRIVE ASSEMBLY	2-74
276	BOTTLE DRIVE ASSEMBLY	2-76
280	FIXING DRIVE ASSEMBLY	2-77

Contents

282	WASTE TONER DRIVE ASSEMBLY	2-79
290	SEC. TRANSFER CAM DRIVE ASS'Y	2-81
302	RIGHT PAPER STOCK ASSEMBLY	2-82
303	LEFT PAPER STOCK ASSEMBLY	2-85
305	CASSETTE HEATER ASSEMBLY	2-88
311	RIGHT PAPER PICK-UP ASSEMBLY	2-89
312	LEFT PAPER PICK-UP ASSEMBLY	2-92
315	MULTI P. PICK-UP MOUNT ASSEMBLY	2-95
316	MULTI PAPER PICK-UP TRAY ASSEMBLY	2-98
317	REVERSE ROLLER ASSEMBLY	2-100
320	FIXING FEEDER ASSEMBLY	2-102
325	REGISTRATION MOUNT ASSEMBLY	2-107
330	PRE-FIXING FEEDER ASSEMBLY	2-109
350	EXTERNAL DELIVERY ASSEMBLY	2-111
355	REV. PAPER DELIVERY DOOR ASSEMBLY	2-113
360	PAPER FEEDER FRAME ASSEMBLY	2-117
375	INTERNAL PAPER DELIVERY ASS'Y	2-122
420	MIRROR ASSEMBLY 1	2-125
430	MIRROR ASSEMBLY 2	2-126
460	LASER SCANNER ASSEMBLY	2-127
510	PHOTO-SENSITIVE DRUM ASSEMBLY	2-128
530	SECONDARY TRANSFER MOUNT ASS'Y	2-130
535	I.T.B. POSITIONING ASSEMBLY	2-132
537	INTERMED. TRANSFER BELT ASS'Y	2-134
538	TRANSFER CLEANER ASSEMBLY	2-139
550	PRIMARY CORONA ASSEMBLY	2-141
570	PRE-TRANSFER CORONA ASSEMBLY	2-143
600	AP KIT ASSEMBLY	2-145
621	HOPPER ASSEMBLY (BK)	2-153
640	DEVELOPING ASSEMBLY (BK)	2-156
641	DEVELOPING ASSEMBLY(M/C/Y)	2-159
680	ATR SENSOR ASSEMBLY	2-160
775	WASTE TONER PIPE ASSEMBLY	2-161
810	FIXING ASSEMBLY	2-163
830	FIXING CLEANER ASSEMBLY	2-170
900	CONTROLLER BOX ASSEMBLY(IR C6800/5800 Series)	2-172
900A	CONTROLLER BOX ASSEMBLY(IR C6870/5870 Series)	2-175
910	DC POWER SUPPLY ASSEMBLY	2-177
925	CONTROL PANEL INVERTER PCB ASSEMBLY	2-179
930	DC CONTROLLER PCB ASSEMBLY	2-180
932	MAIN CONTROLLER MAIN PCB ASSEMBLY	2-182
935	READER CONTROLLER PCB ASSEMBLY	2-183
940	POTENTIAL SENSOR PCB ASSEMBLY	2-184
941	DC DC CONVERTER PCB ASSEMBLY 1	2-185
961	FIXING FEEDING DRIVER PCB ASSEMBLY	2-186

Contents

980	HVT1 PCB ASSEMBLY	2-187
981	HVT3 PCB ASSEMBLY	2-188
985	HVT2 PCB ASSEMBLY	2-189
B	LIST OF CONNECTORS	2-190

NUMERICAL INDEX

iR C6800/5800/6870/5870 Series(Numerical Index)

PARTS NUMBER	FIGURE & KEY NO.	PARTS NUMBER	FIGURE & KEY NO.	PARTS NUMBER	FIGURE & KEY NO
97-5527-000	550 - 1	FB2-7981-000	775 - 2	FB6-5889-000	106 - 21
97-5527-000	570 - 1	FB2-8010-000	101 - 22	FC1-5061-000	302 - 11
FA2-8884-000	550 - 2	FB2-8118-000	621 - 32	FC1-5061-000	303 - 11
FA2-9309-000	538 - 1	FB2-8272-000	106 - 4	FC1-5080-000	302 - 12
FA3-2127-000	570 - 2	FB2-8408-000	106 - 1	FC1-5080-000	303 - 12
FA3-2441-020	600 - 68	FB2-8437-000	640 - 2	FC1-5081-000	302 - 13
FA3-8727-000	530 - 1	FB2-8465-000	302 - 10	FC1-5081-000	303 - 13
FA4-1159-000	315 - 1	FB2-8465-000	303 - 10	FC5-0127-000	420 - 1
FA4-1864-000	570 - 3	FB2-8506-020	108 - 2	FC5-0127-000	430 - 1
FA6-3071-000	830 - 1	FB2-9248-000	107 - 11	FC5-0128-000	420 - 2
FA6-8304-000	260 - 1	FB3-7543-000	271 - 1	FC5-0136-000	430 - 2
FA6-9988-020	302 - 6	FB3-7543-000	810 - 9	FC5-0165-000	430 - 3
FA6-9988-020	303 - 6	FB4-0726-000	210 - 7	FC5-0444-000	900 - 8
FA6-9989-000	302 - 7	FB4-1340-000	108 - 1	FC5-0444-000	900A - 8
FA6-9989-000	303 - 7	FB4-1421-000	101 - 23	FC5-0445-000	900 - 9
FA9-2112-000	102 - 13	FB4-1797-000	775 - 3	FC5-0445-000	900A - 9
FA9-2112-000	230 - 1	FB4-2007-000	311 - 2	FC5-0459-000	100 - 10
FA9-2112-000	260 - 2	FB4-2007-000	312 - 2	FC5-1059-000	130 - 6
FA9-2112-000	261 - 1	FB4-3687-000	550 - 8	FC5-1060-000	130 - 7
FA9-2112-000	262 - 1	FB4-3687-000	570 - 4	FC5-1061-000	130 - 8
FA9-2112-000	263 - 1	FB4-3692-030	810 - 28	FC5-1062-010	130 - 21
FA9-2112-000	302 - 8	FB4-4661-000	355 - 1	FC5-1063-000	130 - 22
FA9-2112-000	303 - 8	FB4-9029-000	311 - 3	FC5-1064-000	130 - 9
FA9-2112-000	311 - 1	FB4-9029-000	312 - 3	FC5-1065-000	130 - 10
FA9-2112-000	312 - 1	FB5-0553-000	107 - 12	FC5-1066-000	130 - 11
FA9-2112-000	350 - 1	FB5-0873-000	315 - 4	FC5-1067-000	130 - 12
FA9-2112-000	360 - 1	FB5-2951-000	104 - 17	FC5-1146-000	100 - 38
FA9-2112-000	775 - 1	FB5-2957-020	104 - 18	FC5-1420-000	102 - 17
FA9-3832-000	101 - 21	FB5-3087-000	211 - 2	FC5-1619-000	104 - 4
FA9-3832-000	360 - 16	FB5-3365-000	302 - 29	FC5-1620-000	104 - 5
FA9-3833-000	360 - 17	FB5-3365-000	303 - 29	FC5-1628-000	100 - 12
FA9-4026-000	103 - 2	FB5-3481-000	264 - 2	FC5-1631-000	130 - 1
FB1-6833-000	830 - 13	FB5-3636-000	211 - 22	FC5-1637-000	104 - 7
FB1-7109-000	211 - 1	FB5-3790-000	350 - 2	FC5-1638-000	103 - 1
FB1-8581-000	315 - 2	FB5-3871-000	355 - 27	FC5-1641-000	130 - 2
FB1-8581-000	315 - 2	FB6-2397-000	360 - 53	FC5-1658-020	537 - 1
FB2-6310-000	103 - 10	FB6-3150-000	810 - 54	FC5-1659-000	537 - 54
FB2-6849-030	550 - 4	FB6-3313-000	100 - 25	FC5-1660-000	537 - 2
FB2-6857-000	550 - 5	FB6-3313-000	140 - 11	FC5-1661-000	537 - 7
FB2-6859-030	550 - 6	FB6-3313-000	315 - 5	FC5-1662-000	538 - 2
FB2-6883-000	600 - 6	FB6-3410-000	315 - 6	FC5-1663-00U	537 - 8
FB2-6890-000	600 - 69	FB6-3456-000	316 - 1	FC5-1664-000	537 - 3
FB2-6912-000	550 - 7	FB6-3457-000	316 - 2	FC5-1665-000	537 - 4
FB2-6943-000	640 - 1	FB6-3459-000	316 - 4	FC5-1671-000	537 - 10
FB2-7540-000	315 - 3	FB6-3463-000	315 - 7	FC5-1672-000	537 - 11
FB2-7551-000	100 - 2	FB6-3464-000	315 - 8	FC5-1673-000	537 - 12
FB2-7551-000	140 - 1	FB6-3466-000	315 - 9	FC5-1675-000	537 - 13
FB2-7560-000	101 - 32	FB6-3467-000	315 - 10	FC5-1676-000	537 - 14
FB2-7816-000	264 - 1	FB6-3508-000	316 - 5	FC5-1681-000	537 - 15
FB2-7841-000	260 - 3	FB6-4248-000	360 - 26	FC5-1682-000	537 - 16
FB2-7866-000	101 - 4	FB6-4249-000	360 - 27	FC5-1683-000	537 - 17
FB2-7867-020	101 - 5	FB6-4937-000	316 - 6	FC5-1688-000	537 - 18

NUMERICAL INDEX

iR C6800/5800/6870/5870 Series(Numerical Index)

PARTS NUMBER	FIGURE & KEY NO.	PARTS NUMBER	FIGURE & KEY NO.	PARTS NUMBER	FIGURE & KEY NO
FC5-1691-000	538 - 3	FC5-1912-000	276 - 2	FC5-2133-000	360 - 34
FC5-1700-000	538 - 4	FC5-1913-000	276 - 9	FC5-2139-00U	140 - 12
FC5-1704-000	538 - 5	FC5-1916-000	621 - 7	FC5-2141-000	316 - 7
FC5-1709-000	537 - 57	FC5-1917-000	640 - 9	FC5-2142-000	316 - 8
FC5-1711-000	537 - 56	FC5-1923-000	621 - 21	FC5-2143-000	316 - 9
FC5-1712-000	537 - 55	FC5-1925-000	621 - 22	FC5-2149-000	315 - 12
FC5-1727-000	535 - 1	FC5-1926-000	621 - 33	FC5-2150-000	140 - 2
FC5-1728-000	535 - 14	FC5-1927-000	621 - 23	FC5-2151-000	315 - 13
FC5-1729-000	535 - 2	FC5-1930-000	621 - 24	FC5-2153-000	315 - 14
FC5-1737-000	105 - 2	FC5-1932-000	621 - 34	FC5-2156-020	315 - 44
FC5-1759-00U	537 - 19	FC5-1940-000	621 - 35	FC5-2157-000	530 - 2
FC5-1762-000	550 - 9	FC5-1943-000	640 - 10	FC5-2160-000	530 - 4
FC5-1766-000	510 - 6	FC5-1945-000	621 - 18	FC5-2161-000	530 - 5
FC5-1768-000	600 - 38	FC5-1949-000	621 - 8	FC5-2162-000	530 - 6
FC5-1770-000	600 - 34	FC5-1950-000	621 - 9	FC5-2163-000	530 - 7
FC5-1774-000	101 - 6	FC5-1954-000	600 - 11	FC5-2165-000	530 - 8
FC5-1780-000	600 - 7	FC5-1955-000	640 - 11	FC5-2166-000	530 - 9
FC5-1782-00U	600 - 1	FC5-1982-000	600 - 12	FC5-2169-000	530 - 10
FC5-1787-000	600 - 2	FC5-1983-000	600 - 85	FC5-2170-000	530 - 11
FC5-1788-000	600 - 70	FC5-2026-000	600 - 54	FC5-2174-000	325 - 1
FC5-1795-00U	600 - 71	FC5-2027-000	600 - 55	FC5-2179-000	315 - 15
FC5-1796-000	600 - 39	FC5-2029-000	600 - 46	FC5-2182-000	325 - 5
FC5-1797-000	600 - 40	FC5-2031-000	600 - 48	FC5-2187-000	140 - 3
FC5-1798-000	600 - 8	FC5-2034-000	105 - 9	FC5-2190-000	140 - 14
FC5-1805-000	570 - 5	FC5-2042-000	270 - 1	FC5-2190-000	325 - 6
FC5-1806-000	570 - 6	FC5-2046-000	600 - 49	FC5-2191-000	140 - 4
FC5-1807-000	570 - 7	FC5-2048-000	320 - 1	FC5-2192-000	100 - 13
FC5-1809-000	570 - 9	FC5-2051-000	360 - 28	FC5-2193-000	100 - 14
FC5-1810-000	550 - 10	FC5-2059-000	360 - 2	FC5-2194-000	100 - 35
FC5-1810-000	570 - 10	FC5-2060-000	320 - 2	FC5-2195-000	325 - 7
FC5-1832-000	510 - 7	FC5-2061-000	320 - 3	FC5-2197-000	325 - 8
FC5-1833-000	510 - 8	FC5-2067-000	330 - 1	FC5-2199-000	290 - 1
FC5-1839-000	600 - 42	FC5-2068-000	330 - 2	FC5-2200-000	325 - 3
FC5-1846-000	101 - 24	FC5-2073-000	330 - 5	FC5-2201-000	140 - 6
FC5-1861-000	640 - 3	FC5-2077-000	320 - 4	FC5-2203-000	355 - 2
FC5-1863-000	640 - 4	FC5-2080-000	320 - 59	FC5-2204-000	355 - 3
FC5-1864-000	940 - 4	FC5-2085-000	360 - 50	FC5-2206-000	320 - 8
FC5-1871-000	640 - 5	FC5-2089-000	360 - 3	FC5-2207-000	320 - 9
FC5-1873-000	640 - 6	FC5-2090-000	360 - 29	FC5-2210-000	355 - 4
FC5-1876-000	640 - 7	FC5-2091-000	360 - 4	FC5-2211-000	355 - 5
FC5-1880-000	640 - 8	FC5-2092-000	360 - 5	FC5-2212-000	355 - 6
FC5-1882-000	105 - 21	FC5-2094-000	360 - 30	FC5-2213-000	355 - 7
FC5-1883-000	105 - 22	FC5-2096-010	360 - 41	FC5-2214-000	355 - 8
FC5-1884-000	600 - 9	FC5-2098-000	272 - 1	FC5-2216-020	355 - 9
FC5-1885-000	600 - 10	FC5-2104-000	360 - 7	FC5-2217-000	355 - 10
FC5-1889-000	621 - 1	FC5-2106-020	320 - 5	FC5-2218-000	355 - 11
FC5-1892-000	621 - 2	FC5-2108-000	320 - 6	FC5-2220-000	355 - 13
FC5-1895-010	621 - 4	FC5-2111-010	105 - 6	FC5-2222-000	355 - 14
FC5-1896-000	621 - 5	FC5-2114-000	320 - 7	FC5-2223-000	355 - 15
FC5-1900-000	621 - 6	FC5-2118-000	360 - 32	FC5-2224-000	355 - 16
FC5-1904-000	276 - 1	FC5-2119-000	360 - 33	FC5-2225-000	355 - 17
FC5-1908-000	621 - 30	FC5-2122-000	106 - 28	FC5-2226-000	355 - 18

NUMERICAL INDEX

iR C6800/5800/6870/5870 Series(Numerical Index)

PARTS NUMBER	FIGURE & KEY NO.	PARTS NUMBER	FIGURE & KEY NO.	PARTS NUMBER	FIGURE & KEY NO
FC5-2230-000	355 - 19	FC5-2369-020	830 - 14	FC5-2533-000	311 - 8
FC5-2233-000	375 - 1	FC5-2370-000	830 - 6	FC5-2533-000	312 - 8
FC5-2235-000	355 - 20	FC5-2371-000	830 - 15	FC5-2535-000	311 - 9
FC5-2236-000	355 - 21	FC5-2372-000	375 - 27	FC5-2535-000	312 - 9
FC5-2237-000	355 - 22	FC5-2373-000	375 - 28	FC5-2537-010	311 - 11
FC5-2239-000	355 - 23	FC5-2375-000	375 - 29	FC5-2537-010	312 - 10
FC5-2240-000	355 - 24	FC5-2377-000	810 - 58	FC5-2538-000	311 - 12
FC5-2241-000	350 - 3	FC5-2378-000	105 - 3	FC5-2540-000	311 - 43
FC5-2243-000	350 - 4	FC5-2381-000	360 - 10	FC5-2540-000	312 - 42
FC5-2249-020	260 - 14	FC5-2383-000	375 - 9	FC5-2541-000	311 - 13
FC5-2250-000	260 - 15	FC5-2384-000	375 - 10	FC5-2541-000	312 - 11
FC5-2253-000	317 - 1	FC5-2385-000	360 - 57	FC5-2542-000	311 - 14
FC5-2254-000	317 - 2	FC5-2386-000	320 - 12	FC5-2542-000	312 - 12
FC5-2255-000	317 - 3	FC5-2387-00U	105 - 24	FC5-2544-000	101 - 25
FC5-2257-00U	320 - 10	FC5-2388-000	105 - 28	FC5-2544-000	102 - 1
FC5-2258-02U	317 - 4	FC5-2389-000	102 - 18	FC5-2545-000	102 - 9
FC5-2261-000	317 - 5	FC5-2394-000	360 - 35	FC5-2547-000	311 - 16
FC5-2270-000	360 - 8	FC5-2395-000	317 - 6	FC5-2547-000	312 - 13
FC5-2271-000	360 - 9	FC5-2409-000	270 - 26	FC5-2548-000	311 - 17
FC5-2274-000	100 - 15	FC5-2410-000	270 - 28	FC5-2548-000	312 - 14
FC5-2276-000	260 - 4	FC5-2411-000	270 - 29	FC5-2566-000	102 - 2
FC5-2277-000	350 - 12	FC5-2412-000	270 - 30	FC5-2568-000	102 - 10
FC5-2285-000	810 - 70	FC5-2420-000	107 - 13	FC5-2572-000	101 - 9
FC5-2286-000	830 - 2	FC5-2421-000	775 - 4	FC5-2573-000	311 - 19
FC5-2287-000	830 - 3	FC5-2422-000	775 - 5	FC5-2577-000	680 - 1
FC5-2290-000	280 - 14	FC5-2425-000	282 - 13	FC5-2579-000	810 - 43
FC5-2292-000	810 - 1	FC5-2426-000	282 - 14	FC5-2580-000	810 - 44
FC5-2294-000	810 - 10	FC5-2428-000	775 - 6	FC5-2581-000	810 - 12
FC5-2295-000	810 - 39	FC5-2430-000	101 - 14	FC5-2582-000	810 - 59
FC5-2296-000	810 - 40	FC5-2435-000	775 - 7	FC5-2587-000	510 - 9
FC5-2297-000	810 - 18	FC5-2437-000	106 - 24	FC5-2588-000	510 - 10
FC5-2300-000	810 - 2	FC5-2438-000	270 - 2	FC5-2590-020	810 - 31
FC5-2301-000	810 - 66	FC5-2440-000	537 - 21	FC5-2592-000	810 - 60
FC5-2321-000	810 - 55	FC5-2444-000	537 - 22	FC5-2593-000	810 - 13
FC5-2322-000	810 - 41	FC5-2445-000	537 - 23	FC5-2594-000	810 - 65
FC5-2330-000	810 - 81	FC5-2450-000	100 - 6	FC5-2595-000	810 - 14
FC5-2331-000	810 - 34	FC5-2452-000	100 - 7	FC5-2596-000	810 - 15
FC5-2336-000	830 - 4	FC5-2457-000	106 - 2	FC5-2597-020	830 - 16
FC5-2338-000	830 - 5	FC5-2458-000	106 - 15	FC5-2598-000	375 - 11
FC5-2341-020	105 - 19	FC5-2459-000	101 - 8	FC5-2599-000	680 - 2
FC5-2343-00U	375 - 3	FC5-2476-000	980 - 1	FC5-2601-000	302 - 9
FC5-2344-000	375 - 4	FC5-2486-000	191 - 1	FC5-2601-000	303 - 9
FC5-2345-000	375 - 5	FC5-2498-000	910 - 1	FC5-2603-000	302 - 14
FC5-2347-000	375 - 7	FC5-2501-000	105 - 1	FC5-2603-000	303 - 14
FC5-2353-000	810 - 67	FC5-2502-000	107 - 1	FC5-2605-000	302 - 15
FC5-2356-000	375 - 8	FC5-2515-000	107 - 6	FC5-2605-000	303 - 15
FC5-2357-000	810 - 62	FC5-2524-000	311 - 4	FC5-2606-000	302 - 32
FC5-2358-000	810 - 11	FC5-2524-000	312 - 4	FC5-2606-000	303 - 32
FC5-2360-000	810 - 20	FC5-2526-000	311 - 5	FC5-2607-000	302 - 16
FC5-2362-000	810 - 42	FC5-2526-000	312 - 5	FC5-2607-000	303 - 16
FC5-2365-000	280 - 1	FC5-2528-000	311 - 6	FC5-2608-000	302 - 17
FC5-2367-000	280 - 2	FC5-2528-000	312 - 6	FC5-2608-000	303 - 17

NUMERICAL INDEX

iR C6800/5800/6870/5870 Series(Numerical Index)

PARTS NUMBER	FIGURE & KEY NO.	PARTS NUMBER	FIGURE & KEY NO.	PARTS NUMBER	FIGURE & KEY NO
FC5-2609-000	302 - 18	FC5-2727-000	101 - 26	FC5-5147-000	810 - 36
FC5-2609-000	303 - 18	FC5-2733-000	101 - 12	FC5-5148-000	810 - 78
FC5-2611-000	302 - 19	FC5-2756-00U	375 - 12	FC5-5149-000	320 - 14
FC5-2611-000	303 - 19	FC5-2758-000	375 - 13	FC5-5150-020	360 - 54
FC5-2612-000	302 - 20	FC5-2759-000	375 - 14	FC5-5158-000	140 - 5
FC5-2612-000	303 - 20	FC5-2768-000	104 - 8	FC5-5159-000	316 - 13
FC5-2621-000	302 - 1	FC5-2792-000	210 - 8	FC5-5160-000	316 - 15
FC5-2623-020	302 - 21	FC5-2792-000	211 - 3	FC5-5161-000	316 - 16
FC5-2623-020	303 - 21	FC5-2804-000	211 - 4	FC5-5162-000	316 - 17
FC5-2624-000	303 - 1	FC5-2805-000	211 - 28	FC5-5167-000	360 - 37
FC5-2626-000	302 - 22	FC5-2835-000	420 - 3	FC5-5169-000	320 - 55
FC5-2626-000	303 - 22	FC5-2840-000	430 - 4	FC5-5170-000	320 - 16
FC5-2633-000	312 - 19	FC5-2843-000	430 - 5	FC5-5174-020	810 - 64
FC5-2635-000	312 - 20	FC5-2870-000	420 - 2	FC5-5182-000	130 - 4
FC5-2638-000	312 - 22	FC5-2882-000	211 - 23	FC5-6209-000	100 - 11
FC5-2641-000	311 - 23	FC5-2891-000	210 - 9	FC5-6210-000	600 - 16
FC5-2641-000	312 - 24	FC5-2903-000	210 - 10	FC5-6211-000	311 - 26
FC5-2647-000	302 - 30	FC5-2929-000	210 - 12	FC5-6211-000	312 - 27
FC5-2652-000	100 - 34	FC5-2930-000	210 - 13	FC5-6214-000	271 - 2
FC5-2653-000	303 - 31	FC5-2934-000	210 - 28	FC5-6217-000	100 - 20
FC5-2657-000	102 - 3	FC5-2937-000	210 - 14	FC5-6220-000	105 - 12
FC5-2659-000	100 - 16	FC5-2938-000	210 - 15	FC5-6221-000	105 - 13
FC5-2660-000	355 - 26	FC5-2940-000	210 - 1	FC5-6222-000	600 - 62
FC5-2662-000	317 - 7	FC5-3050-000	001 - 4	FC5-6223-000	106 - 25
FC5-2665-000	320 - 13	FC5-3051-000	001 - 4	FC5-6225-000	106 - 26
FC5-2666-000	315 - 16	FC5-3052-000	001 - 4	FC5-6226-000	810 - 3
FC5-2667-000	104 - 10	FC5-3053-000	001 - 4	FC5-6228-00U	537 - 24
FC5-2668-000	140 - 7	FC5-3055-000	001 - 5	FC5-6229-000	537 - 25
FC5-2674-000	103 - 6	FC5-3056-000	001 - 5	FC5-6230-000	621 - 13
FC5-2675-000	103 - 7	FC5-3057-000	001 - 5	FC5-6231-000	621 - 14
FC5-2682-000	101 - 1	FC5-3060-000	001 - 3	FC5-6233-000	375 - 15
FC5-2692-000	261 - 2	FC5-3207-000	001 - 1	FC5-6234-000	537 - 53
FC5-2694-000	262 - 2	FC5-3223-000	001 - 2	FC5-6234-000	600 - 17
FC5-2697-000	263 - 2	FC5-4458-010	130 - 5	FC5-6236-000	600 - 18
FC5-2698-000	263 - 3	FC5-5077-000	530 - 12	FC5-6237-000	101 - 13
FC5-2699-000	263 - 4	FC5-5078-000	315 - 38	FC5-6240-000	621 - 36
FC5-2700-000	230 - 9	FC5-5081-000	105 - 25	FC5-6243-000	101 - 27
FC5-2703-000	102 - 5	FC5-5082-000	105 - 26	FC5-6243-000	106 - 29
FC5-2704-000	104 - 19	FC5-5083-000	105 - 27	FC5-6245-000	311 - 21
FC5-2705-000	100 - 26	FC5-5084-000	105 - 8	FC5-6245-000	312 - 17
FC5-2706-000	100 - 27	FC5-5087-000	621 - 11	FC5-6246-000	104 - 23
FC5-2711-000	230 - 2	FC5-5091-000	621 - 12	FC5-6247-000	103 - 8
FC5-2712-000	230 - 3	FC5-5092-000	621 - 31	FC5-6248-020	320 - 17
FC5-2715-000	102 - 11	FC5-5095-000	100 - 32	FC5-6249-000	640 - 14
FC5-2718-000	107 - 2	FC5-5096-000	105 - 10	FC5-6250-000	640 - 15
FC5-2719-000	100 - 28	FC5-5099-000	105 - 11	FC5-6254-000	537 - 26
FC5-2720-000	100 - 21	FC5-5100-000	275 - 1	FC5-6260-000	311 - 27
FC5-2723-000	100 - 17	FC5-5109-000	360 - 43	FC5-6266-000	600 - 76
FC5-2724-000	100 - 18	FC5-5110-000	360 - 36	FC5-6271-000	600 - 43
FC5-2725-020	100 - 19	FC5-5136-000	600 - 79	FC5-6275-000	538 - 6
FC5-2726-000	106 - 39	FC5-5145-000	810 - 56	FC5-6276-000	538 - 7
FC5-2726-000	107 - 22	FC5-5146-000	810 - 35	FC5-6277-000	538 - 8

NUMERICAL INDEX

iR C6800/5800/6870/5870 Series(Numerical Index)

PARTS NUMBER	FIGURE & KEY NO.	PARTS NUMBER	FIGURE & KEY NO.	PARTS NUMBER	FIGURE & KEY NO
FC5-6283-000	320 - 18	FC7-0387-000	100 - 20	FH3-0967-000	985 - T2
FC5-6287-000	360 - 15	FC7-0388-000	100 - 20	FH3-0967-000	985 - T3
FC5-6288-000	600 - 50	FC7-0389-000	100 - 20	FH3-0967-000	985 - T6
FC5-6294-000	600 - 14	FC7-0390-000	100 - 20	FH4-3926-000	932 - IC15
FC5-6297-000	375 - 25	FC7-0391-000	100 - 20	FH4-6189-000	932 - IC9
FC5-6298-000	810 - 30	FC7-0392-000	100 - 20	FH4-6204-000	961 - IC101
FC5-6299-000	810 - 38	FC7-0394-000	100 - 20	FH4-6213-000	900 - IC15
FC5-6302-000	100 - 20	FC7-0395-000	100 - 20	FH4-6214-000	932 - IC35
FC5-6303-000	100 - 20	FC7-0396-000	100 - 20	FH4-6218-000	932 - IC31
FC5-6304-000	100 - 20	FC7-5167-000	315 - 30	FH4-6235-000	900A - IC1
FC5-6305-000	100 - 20	FC8-7809-000	311 - 7	FH4-6237-000	900A - IC1
FC5-6316-000	330 - 7	FC8-7812-000	311 - 10	FH4-6239-000	900A - IC1
FC5-6320-020	330 - 8	FC8-7813-000	311 - 15	FH4-6243-000	932 - IC2
FC5-6323-000	330 - 9	FC8-7815-000	375 - 2	FH4-6247-000	900A - IC18
FC5-6324-000	330 - 10	FC8-9070-000	230 - 10	FH4-6248-000	900A - IC2
FC5-6325-000	330 - 3	FC8-9070-000	320 - 48	FH4-6250-000	932 - IC23
FC5-6326-000	330 - 4	FC9-0252-010	530 - 3	FH4-6260-000	900 - IC17
FC5-6330-000	640 - 21	FC9-0282-000	900 - 25	FH4-6268-000	900 - IC2
FC5-6332-000	538 - 21	FC9-0282-000	900A - 19	FH4-6271-000	932 - IC12
FC5-6333-000	320 - 11	FC9-7038-000	320 - 57	FH4-6284-000	930 - IC23
FC5-6366-000	550 - 20	FC9-8425-000	320 - 56	FH4-6284-000	930 - IC34
FC5-6367-000	600 - 84	FC9-8425-000	360 - 11	FH4-6284-000	930 - IC46
FC5-6368-000	600 - 83	FF2-0001-000	980 - J1512	FH4-6300-000	900 - IC10
FC5-6370-000	190 - 3	FF2-2891-000	600 - 19	FH4-6300-000	930 - IC41
FC5-6372-000	621 - 48	FF5-2983-000	600 - 20	FH4-6302-000	932 - IC45
FC5-6374-000	980 - 3	FF5-2986-000	600 - 21	FH5-1111-000	900 - 2
FC5-6377-00U	810 - 77	FF5-3172-000	106 - 3	FH5-1111-000	900A - 2
FC5-6403-000	600 - 37	FF5-3173-000	106 - 5	FH5-3511-000	003 - 1
FC5-6404-000	103 - 19	FF5-6885-000	550 - 13	FH5-3512-000	003 - 2
FC5-6406-000	360 - 55	FF5-8194-000	104 - 11	FH5-3513-000	003 - 2
FC5-6407-000	360 - 56	FF5-9341-000	272 - 2	FH5-3514-000	003 - 2
FC5-6644-000	130 - 25	FF5-9341-000	360 - 44	FH5-3515-000	003 - 3
FC5-6645-000	130 - 25	FG3-2376-000	925 -	FH5-3519-000	003 - 1
FC5-6647-000	130 - 25	FG3-2834-020	130 - 17	FH5-3524-000	003 - 3
FC6-2841-000	621 - 47	FG3-2857-00U	932 - 1	FH7-4740-000	305 - 1
FC6-2843-000	538 - 23	FG3-2874-000	900 - 20	FH7-7196-020	272 - 12
FC6-2859-000	900A - 14	FG3-3171-000	900A - 11	FH7-7600-000	316 - 11
FC6-2861-000	900A - 6	FG3-3851-010	900A - 13	FH7-7601-030	537 - 52
FC6-4358-000	311 - 40	FG3-3965-000	130 - 16	FH7-7625-030	110 - 1
FC6-4358-000	312 - 41	FG3-3986-000	900 - 12	FK2-0001-000	930 - IC29
FC6-4756-000	810 - 29	FG5-5794-000	104 - 1	FK2-0002-000	510 - 2
FC6-4757-000	280 - 9	FH2-5821-000	B - J14	FK2-0003-00U	600 - 63
FC6-4764-000	100 - 20	FH2-5825-000	B - J14	FK2-0004-000	105 - 14
FC6-4765-000	100 - 20	FH2-6855-000	B - J14	FK2-0005-000	600 - 75
FC6-4770-000	130 - 24	FH2-6986-000	B - J14	FK2-0006-000	510 - 2
FC6-4774-000	537 - 60	FH2-7018-000	900 - 3	FK2-0007-000	510 - 2
FC6-4778-000	600 - 90	FH2-7036-000	210 - 16	FK2-0013-000	810 - 63
FC6-9029-000	600 - 15	FH2-7037-000	130 - 13	FK2-0015-000	275 - 2
FC7-0114-000	272 - 4	FH3-0725-000	910 - 11	FK2-0015-000	276 - 4
FC7-0381-000	100 - 15	FH3-0961-020	925 - T1	FK2-0020-000	271 - 3
FC7-0385-000	100 - 20	FH3-0967-000	980 - T1	FK2-0022-000	270 - 3
FC7-0386-000	100 - 20	FH3-0967-000	981 - T1	FK2-0025-00U	107 - 19

NUMERICAL INDEX

iR C6800/5800/6870/5870 Series(Numerical Index)

PARTS NUMBER	FIGURE & KEY NO.	PARTS NUMBER	FIGURE & KEY NO.	PARTS NUMBER	FIGURE & KEY NO
FK2-0033-000	270 - 4	FK2-0149-000	276 - 3	FK2-2745-000	003 - 7
FK2-0035-000	360 - 51	FK2-0149-000	280 - 5	FK2-2746-000	003 - 7
FK2-0043-000	810 - 16	FK2-0149-000	311 - 28	FK2-2747-000	003 - 7
FK2-0044-000	810 - 19	FK2-0149-000	312 - 28	FK2-2751-000	003 - 4
FK2-0045-000	810 - 50	FK2-0149-000	315 - 17	FK2-2752-000	003 - 4
FK2-0047-000	810 - 61	FK2-0149-000	316 - 10	FK2-2902-000	932 - IC1
FK2-0048-000	810 - 16	FK2-0149-000	317 - 8	FK2-3737-000	900A - 3
FK2-0049-000	810 - 19	FK2-0149-000	325 - 4	FK2-9316-000	900 - 18
FK2-0050-000	810 - 50	FK2-0149-000	350 - 9	FK2-9316-000	900A - 18
FK2-0052-000	810 - 61	FK2-0149-000	360 - 45	FL2-0390-000	104 - 13
FK2-0053-000	810 - 16	FK2-0149-000	530 - 13	FL2-0396-000	600 - 13
FK2-0054-000	810 - 19	FK2-0149-000	535 - 4	FL2-0398-050	537 - 27
FK2-0055-000	810 - 50	FK2-0149-000	600 - 33	FL2-0399-000	280 - 6
FK2-0057-000	810 - 61	FK2-0149-000	810 - 57	FL2-0401-000	537 - 5
FK2-0100-000	537 - 51	FK2-0150-000	110 - 1	FL2-0403-000	537 - 28
FK2-0100-000	680 - 3	FK2-0151-000	110 - 1	FL2-0404-000	537 - 29
FK2-0101-000	941 - 3	FK2-0152-000	110 - 1	FL2-0405-000	537 - 30
FK2-0103-000	104 - 2	FK2-0155-000	535 - 3	FL2-0408-000	537 - 46
FK2-0103-000	190 - 1	FK2-0156-000	280 - 15	FL2-0411-000	538 - 9
FK2-0103-000	910 - 2	FK2-0157-000	100 - 36	FL2-0412-000	538 - 10
FK2-0104-000	930 - IC21	FK2-0158-000	621 - 25	FL2-0413-000	538 - 11
FK2-0105-000	980 - 2	FK2-0158-000	640 - 16	FL2-0415-000	538 - 12
FK2-0109-000	981 - T2	FK2-0160-000	101 - 20	FL2-0418-000	600 - 22
FK2-0111-000	941 - 3	FK2-0161-000	537 - 44	FL2-0421-000	600 - 72
FK2-0115-000	315 - 18	FK2-0163-000	272 - 3	FL2-0422-000	600 - 44
FK2-0116-000	311 - 44	FK2-0166-000	110 - 1	FL2-0427-000	550 - 14
FK2-0116-000	312 - 43	FK2-0167-000	110 - 1	FL2-0428-000	550 - 15
FK2-0117-000	600 - 51	FK2-0180-000	290 - 2	FL2-0431-000	600 - 3
FK2-0124-000	191 - 2	FK2-0181-000	320 - 52	FL2-0432-000	600 - 23
FK2-0124-000	193 - 1	FK2-0182-000	280 - 3	FL2-0433-000	104 - 6
FK2-0124-000	280 - 4	FK2-0225-000	211 - 5	FL2-0434-000	570 - 12
FK2-0128-000	106 - 27	FK2-0230-000	B - J101	FL2-0436-000	600 - 24
FK2-0129-000	271 - 4	FK2-0230-000	B - J204	FL2-0439-000	104 - 14
FK2-0134-000	930 - IC35	FK2-0231-000	B - J102	FL2-0440-000	600 - 77
FK2-0136-000	320 - 19	FK2-0231-000	B - J205	FL2-0442-000	640 - 17
FK2-0136-000	B - J1713	FK2-0234-000	211 - 6	FL2-0444-000	640 - 19
FK2-0140-000	106 - 32	FK2-0234-000	B - J206	FL2-0445-000	940 - 1
FK2-0143-000	980 - T3	FK2-0234-000	B - J601	FL2-0446-000	640 - 12
FK2-0146-000	110 - 8	FK2-0235-000	935 - IC2	FL2-0449-000	640 - 35
FK2-0146-000	B - J3	FK2-0237-000	211 - 24	FL2-0457-000	641 - 1
FK2-0147-000	110 - 10	FK2-0238-000	210 - 17	FL2-0462-020	550 - 11
FK2-0147-000	B - J3	FK2-0240-000	935 - IC1	FL2-0462-020	570 - 8
FK2-0148-000	110 - 9	FK2-0247-000	B - J183	FL2-0463-000	600 - 25
FK2-0148-000	B - J3	FK2-0247-000	B - J505	FL2-0464-000	550 - 12
FK2-0149-000	101 - 33	FK2-0329-000	130 - 14	FL2-0464-000	570 - 11
FK2-0149-000	104 - 12	FK2-0636-000	194 - 1	FL2-0465-000	600 - 81
FK2-0149-000	105 - 5	FK2-0732-000	210 - 16	FL2-0466-000	600 - 82
FK2-0149-000	106 - 22	FK2-2730-000	003 - 5	FL2-0467-000	270 - 5
FK2-0149-000	107 - 7	FK2-2736-000	003 - 5	FL2-0469-000	105 - 17
FK2-0149-000	140 - 15	FK2-2742-000	003 - 6	FL2-0476-000	320 - 20
FK2-0149-000	211 - 21	FK2-2743-000	003 - 6	FL2-0477-00U	264 - 3
FK2-0149-000	272 - 5	FK2-2744-000	003 - 6	FL2-0478-00U	320 - 45

NUMERICAL INDEX

iR C6800/5800/6870/5870 Series(Numerical Index)

PARTS NUMBER	FIGURE & KEY NO.	PARTS NUMBER	FIGURE & KEY NO.	PARTS NUMBER	FIGURE & KEY NO
FL2-0479-000	320 - 49	FL2-0596-000	276 - 5	FL2-1193-000	102 - 20
FL2-0480-00U	320 - 51	FL2-0597-020	621 - 20	FL2-1197-000	107 - 15
FL2-0487-000	315 - 45	FL2-0598-000	530 - 15	FL2-1198-000	537 - 34
FL2-0488-000	325 - 9	FL2-0599-000	320 - 22	FL2-1372-010	101 - 10
FL2-0489-000	325 - 10	FL2-0600-000	320 - 23	FL2-1391-000	282 - 1
FL2-0490-000	290 - 3	FL2-0601-000	775 - 9	FL2-1392-000	360 - 31
FL2-0492-000	530 - 14	FL2-0602-000	315 - 21	FL2-1393-020	264 - 4
FL2-0493-000	315 - 20	FL2-0603-000	350 - 5	FL2-1394-020	264 - 6
FL2-0497-000	355 - 28	FL2-0604-000	320 - 24	FL2-1397-000	355 - 25
FL2-0500-000	355 - 29	FL2-0605-000	320 - 46	FL2-1398-000	100 - 8
FL2-0502-000	320 - 21	FL2-0625-000	210 - 18	FL2-1399-00U	510 - 4
FL2-0503-000	317 - 9	FL2-0628-000	210 - 20	FL2-1400-000	106 - 19
FL2-0504-000	317 - 10	FL2-0629-000	210 - 21	FL2-1401-000	311 - 20
FL2-0505-000	317 - 11	FL2-0631-000	211 - 9	FL2-1401-000	312 - 16
FL2-0508-000	810 - 4	FL2-0631-000	B - J202	FL2-1407-000	100 - 22
FL2-0509-000	810 - 5	FL2-0631-000	B - J203	FL2-2469-00U	302 - 31
FL2-0510-000	810 - 6	FL2-0631-000	B - J307	FL2-2469-00U	303 - 30
FL2-0532-000	510 - 1	FL2-0631-000	B - J308	FL2-2472-000	621 - 3
FL2-0539-000	100 - 23	FL2-0639-000	430 - 10	FL2-2473-010	600 - 41
FL2-0541-00U	271 - 12	FL2-0641-00U	420 - 5	FL2-2475-000	105 - 7
FL2-0545-000	270 - 27	FL2-0642-000	211 - 7	FL2-2477-00U	330 - 6
FL2-0547-000	270 - 6	FL2-0643-000	210 - 29	FL2-2478-000	360 - 6
FL2-0548-00U	271 - 13	FL2-0644-000	210 - 6	FL2-2479-000	360 - 40
FL2-0549-000	282 - 15	FL2-0646-000	210 - 22	FL2-2921-000	312 - 7
FL2-0550-000	775 - 8	FL2-0647-000	430 - 6	FL2-2922-000	355 - 12
FL2-0551-000	191 - 3	FL2-0660-000	210 - 11	FL2-2925-000	315 - 11
FL2-0555-000	191 - 4	FL2-0982-000	110 - 2	FL2-3153-000	211 - 29
FL2-0565-000	002 - 1	FL2-0983-000	110 - 7	FL2-3730-010	130 - 15
FL2-0566-000	103 - 13	FL2-0985-000	940 - 2	FL2-6971-010	271 - 9
FL2-0569-000	103 - 12	FL2-0986-000	940 - 5	FL2-8916-000	312 - 21
FL2-0572-000	302 - 23	FL2-0987-000	530 - 22	FL3-0565-000	271 - 8
FL2-0572-000	303 - 23	FL2-0989-000	530 - 23	FL3-0566-000	271 - 7
FL2-0573-000	302 - 24	FL2-0990-000	600 - 32	FL3-0568-000	315 - 19
FL2-0573-000	303 - 24	FL2-0991-000	550 - 19	FM2-0394-000	460 -
FL2-0574-000	104 - 26	FL2-0991-000	570 - 14	FM2-0398-000	102 - 14
FL2-0575-000	104 - 27	FL2-1154-000	100 - 3	FM2-0406-000	600 - 89
FL2-0577-000	302 - 5	FL2-1155-000	100 - 4	FM2-0407-050	537 -
FL2-0577-000	303 - 5	FL2-1156-000	100 - 5	FM2-0409-000	537 - 58
FL2-0578-000	325 - 2	FL2-1158-000	600 - 4	FM2-0416-000	192 -
FL2-0579-000	140 - 13	FL2-1160-020	320 - 26	FM2-0417-000	101 - 39
FL2-0580-000	320 - 25	FL2-1167-000	360 - 12	FM2-0418-000	100 - 1
FL2-0581-00U	261 - 3	FL2-1174-000	106 - 30	FM2-0420-000	537 - 45
FL2-0581-00U	262 - 3	FL2-1175-000	320 - 27	FM2-0422-000	680 - 5
FL2-0582-00U	263 - 5	FL2-1176-00U	325 - 11	FM2-0423-000	510 - 3
FL2-0583-00U	230 - 4	FL2-1177-000	325 - 12	FM2-0424-000	600 - 67
FL2-0583-00U	263 - 6	FL2-1178-000	600 - 35	FM2-0427-000	570 -
FL2-0587-000	230 - 11	FL2-1184-000	100 - 33	FM2-0428-000	600 - 74
FL2-0590-000	261 - 7	FL2-1185-000	192 - 1	FM2-0429-000	550 -
FL2-0592-000	275 - 7	FL2-1186-000	360 - 13	FM2-0433-000	640 -
FL2-0593-000	621 - 19	FL2-1187-000	104 - 16	FM2-0437-010	621 -
FL2-0594-000	621 - 37	FL2-1189-000	600 - 88	FM2-0440-00U	276 -
FL2-0595-000	621 - 38	FL2-1192-000	102 - 19	FM2-0444-000	940 -

NUMERICAL INDEX

iR C6800/5800/6870/5870 Series(Numerical Index)

PARTS NUMBER	FIGURE & KEY NO.	PARTS NUMBER	FIGURE & KEY NO.	PARTS NUMBER	FIGURE & KEY NO
FM2-0445-000	275 -	FM2-0575-000	100 - 24	FM2-0947-000	600 - 78
FM2-0446-010	641 -	FM2-0584-00U	320 - 15	FM2-0948-000	315 - 40
FM2-0453-00U	600 - 47	FM2-0615-000	211 - 31	FM2-0949-000	537 - 47
FM2-0459-000	330 -	FM2-0617-000	210 - 4	FM2-0950-000	621 - 41
FM2-0463-000	320 - 58	FM2-0623-000	430 -	FM2-0952-000	101 - 37
FM2-0467-000	140 -	FM2-0624-000	420 -	FM2-0953-000	282 - 11
FM2-0469-000	316 -	FM2-0634-000	420 - 4	FM2-0956-000	101 - 18
FM2-0470-010	315 -	FM2-0635-000	210 - 19	FM2-0957-000	350 - 11
FM2-0471-000	530 -	FM2-0636-000	210 - 19	FM2-0958-000	537 - 48
FM2-0472-000	325 -	FM2-0637-000	210 - 19	FM2-0960-000	101 - 19
FM2-0473-00U	264 -	FM2-0638-000	210 - 19	FM2-0961-000	107 - 14
FM2-0474-00U	290 -	FM2-0822-00U	961 -	FM2-0963-000	311 - 45
FM2-0482-050	355 -	FM2-0823-00U	107 - 16	FM2-0964-000	312 - 44
FM2-0483-000	350 -	FM2-0826-000	981 -	FM2-0965-000	640 - 18
FM2-0484-000	260 -	FM2-0832-000	941 - 1	FM2-0969-000	104 - 3
FM2-0485-000	317 -	FM2-0841-000	510 - 5	FM2-0973-000	105 - 29
FM2-0486-000	317 - 20	FM2-0842-000	510 - 5	FM2-0976-000	530 - 20
FM2-0487-000	350 - 8	FM2-0843-000	910 - 4	FM2-0978-000	317 - 22
FM2-0488-00U	320 - 44	FM2-0848-000	910 - 5	FM2-0979-000	985 - 2
FM2-0494-00U	830 -	FM2-0849-000	102 - 4	FM2-0981-000	910 - 6
FM2-0495-050	375 -	FM2-0850-000	325 - 18	FM2-0983-000	320 - 54
FM2-0496-000	280 -	FM2-0851-000	325 - 19	FM2-0984-000	320 - 53
FM2-0497-000	810 - 25	FM2-0866-030	930 - 1	FM2-0986-000	140 - 19
FM2-0498-000	810 - 26	FM2-0867-030	930 - 1	FM2-0987-000	272 - 7
FM2-0499-000	810 - 27	FM2-0868-030	930 - 1	FM2-0988-000	330 - 13
FM2-0501-000	375 - 26	FM2-0891-000	810 - 68	FM2-0989-000	360 - 47
FM2-0505-000	270 -	FM2-0892-000	900 - 11	FM2-0990-000	316 - 12
FM2-0506-000	271 -	FM2-0893-000	110 - 5	FM2-0991-000	280 - 17
FM2-0507-000	282 -	FM2-0900-000	101 - 11	FM2-0992-000	107 - 9
FM2-0510-000	106 - 18	FM2-0901-000	900 - 17	FM2-0994-000	272 - 8
FM2-0513-000	775 -	FM2-0902-000	900 - 13	FM2-0999-000	103 - 15
FM2-0516-00U	193 -	FM2-0904-000	103 - 5	FM2-1000-000	600 - 58
FM2-0522-000	538 -	FM2-0906-000	103 - 16	FM2-1003-000	360 - 23
FM2-0523-000	110 -	FM2-0912-000	105 - 15	FM2-1007-000	320 - 50
FM2-0524-000	910 -	FM2-0913-000	600 - 65	FM2-1008-000	985 - 3
FM2-0527-000	980 -	FM2-0914-000	900 - 21	FM2-1012-000	105 - 31
FM2-0528-000	985 - 1	FM2-0915-000	530 - 19	FM2-1101-00U	935 -
FM2-0531-020	191 -	FM2-0916-000	193 - 2	FM2-1102-020	211 - 26
FM2-0535-000	900 - 14	FM2-0917-000	680 - 6	FM2-1104-000	211 - 27
FM2-0536-000	900 - 15	FM2-0921-000	106 - 35	FM2-1105-000	211 - 30
FM2-0539-00U	190 -	FM2-0922-000	110 - 3	FM2-1106-000	210 - 5
FM2-0540-000	311 -	FM2-0925-000	110 - 4	FM2-1107-000	211 - 19
FM2-0541-020	002 - 6	FM2-0926-000	600 - 57	FM2-1108-000	211 - 20
FM2-0550-000	110 -	FM2-0928-000	106 - 9	FM2-1109-000	194 - 2
FM2-0551-000	110 -	FM2-0931-000	810 - 69	FM2-1125-020	130 -
FM2-0552-000	302 -	FM2-0932-000	810 - 21	FM2-1126-020	130 -
FM2-0553-000	303 -	FM2-0935-000	106 - 36	FM2-1196-020	130 -
FM2-0554-000	312 -	FM2-0937-000	900 - 6	FM2-1206-000	621 - 42
FM2-0570-000	261 -	FM2-0938-000	106 - 34	FM2-1207-000	105 - 4
FM2-0571-00U	262 -	FM2-0939-000	941 - 2	FM2-1208-010	360 -
FM2-0572-000	263 -	FM2-0940-000	104 - 21	FM2-1211-000	272 -
FM2-0573-00U	230 -	FM2-0946-000	535 - 12	FM2-1212-00U	360 - 49

NUMERICAL INDEX

iR C6800/5800/6870/5870 Series(Numerical Index)

PARTS NUMBER	FIGURE & KEY NO.	PARTS NUMBER	FIGURE & KEY NO.	PARTS NUMBER	FIGURE & KEY NO
FM2-1229-000	910 -	FS1-1462-000	775 - 10	FS5-6487-000	317 - 13
FM2-1232-000	101 - 40	FS1-1508-000	260 - 6	FS5-6487-000	325 - 15
FM2-1233-000	101 - 41	FS1-1508-000	317 - 12	FS5-6487-000	537 - 35
FM2-1235-000	105 - 20	FS1-1508-000	360 - 14	FS5-6487-000	640 - 25
FM2-1243-000	535 -	FS1-1510-000	275 - 3	FS5-6488-000	330 - 11
FM2-1244-00U	260 - 5	FS1-1510-000	276 - 6	FS5-6488-000	355 - 34
FM2-1252-000	130 - 18	FS1-1512-000	355 - 30	FS5-6488-000	360 - 18
FM2-1253-000	130 - 19	FS1-1569-000	275 - 4	FS5-6488-000	537 - 36
FM2-1254-000	130 - 20	FS1-1569-000	311 - 29	FS5-9166-020	101 - 35
FM2-1669-000	103 - 9	FS1-1569-000	312 - 29	FS5-9215-000	103 - 3
FM2-1670-000	104 - 15	FS1-1569-000	315 - 22	FS5-9216-020	101 - 36
FM2-1672-000	375 - 6	FS1-1569-000	355 - 31	FS5-9217-010	100 - 39
FM2-1833-000	900 - 19	FS1-1569-000	375 - 16	FS5-9227-020	211 - 25
FM2-1834-000	810 -	FS1-1569-000	535 - 5	FS5-9772-020	211 - 8
FM2-1835-000	810 -	FS1-1569-000	830 - 18	FS6-0014-000	775 - 19
FM2-1836-000	810 -	FS1-9009-020	600 - 31	FS6-0042-000	360 - 11
FM2-3168-000	194 -	FS1-9009-020	810 - 45	FS6-0064-000	282 - 3
FM2-3882-010	002 - 6	FS1-9167-000	320 - 28	FS6-0065-020	261 - 4
FM2-3883-000	100 - 1	FS2-1014-000	621 - 26	FS6-0105-000	830 - 19
FM2-3886-000	106 - 38	FS2-1014-000	640 - 24	FS6-0120-000	535 - 6
FM2-3892-000	900 - 16	FS2-1256-000	830 - 7	FS6-0121-000	600 - 26
FM2-4663-000	107 - 5	FS2-2036-020	510 - 11	FS6-0122-000	535 - 7
FM2-5661-000	900 - 26	FS2-2325-000	830 - 8	FS6-0124-000	535 - 8
FM2-5661-000	900A - 20	FS3-0942-000	260 - 8	FS6-0125-000	600 - 27
FM2-5889-000	110 -	FS3-2053-000	830 - 9	FS6-0134-000	830 - 20
FM2-5893-000	110 -	FS4-0012-000	302 - 25	FS6-0367-000	263 - 8
FM2-5898-000	900A - 10	FS4-0012-000	303 - 25	FS6-0557-000	272 - 6
FM2-5899-000	900A - 15	FS4-0160-000	302 - 26	FS6-1058-000	315 - 26
FM2-5900-000	900A - 16	FS4-0160-000	303 - 26	FS6-2826-000	100 - 30
FM2-5904-000	110 -	FS4-2136-000	302 - 27	FS6-2983-040	302 - 2
FM2-5919-000	900A - 7	FS4-2136-000	303 - 27	FS6-2983-040	303 - 2
FM2-6035-000	932 - 1	FS5-0677-000	360 - 20	FS6-8992-000	105 - 18
FM2-6040-000	900A - 12	FS5-0688-000	260 - 9	FS6-8992-000	621 - 10
FM2-6046-000	106 - 36	FS5-0748-000	230 - 5	FS7-0593-000	262 - 4
FM2-6047-000	106 - 35	FS5-0873-000	263 - 7	FS7-0641-000	102 - 7
FM2-6049-010	941 - 1	FS5-1021-000	621 - 15	FS7-0652-000	102 - 6
FM2-6055-000	930 - 1	FS5-1142-000	355 - 33	FS7-0652-000	230 - 7
FM2-6056-000	930 - 1	FS5-1209-000	315 - 23	FS7-0652-000	264 - 7
FM2-6057-000	930 - 1	FS5-1474-000	320 - 31	FS7-0665-000	280 - 8
FM2-6211-000	900A - 1	FS5-1595-000	100 - 29	FS7-0725-000	263 - 9
FM2-6857-000	537 - 9	FS5-1595-000	140 - 16	FS7-0891-000	830 - 21
FM2-6857-000	537 - 20	FS5-1595-000	315 - 24	FS7-0893-000	830 - 22
FM2-6857-000	537 - 31	FS5-1597-000	315 - 25	FS7-0894-000	830 - 23
FM2-6857-000	537 - 32	FS5-2906-000	325 - 13	FS7-0895-000	830 - 24
FM2-8257-000	900A - 17	FS5-2925-000	264 - 5	FS7-2278-000	106 - 17
FM4-9814-000	107 - 3	FS5-2957-000	260 - 10	FS7-2326-000	140 - 8
FN7-4012-000	430 - 7	FS5-2958-000	101 - 34	FS7-2811-000	140 - 10
FN7-4013-000	430 - 8	FS5-2959-000	282 - 2	FU3-0296-000	315 - 32
FS1-1213-000	530 - 16	FS5-3805-000	230 - 6	FU3-0297-000	315 - 33
FS1-1213-000	810 - 22	FS5-6322-000	325 - 14	FU3-0298-000	315 - 34
FS1-1433-000	640 - 23	FS5-6487-000	271 - 5	FU5-0141-000	600 - 87
FS1-1449-000	830 - 17	FS5-6487-000	280 - 7	FU5-0143-000	600 - 86

NUMERICAL INDEX

iR C6800/5800/6870/5870 Series(Numerical Index)

PARTS NUMBER	FIGURE & KEY NO.	PARTS NUMBER	FIGURE & KEY NO.	PARTS NUMBER	FIGURE & KEY NO
FU5-0145-000	270 - 7	FU5-0226-000	270 - 11	FU5-2114-000	537 - 39
FU5-0149-000	600 - 52	FU5-0227-000	270 - 12	FU5-2115-000	537 - 40
FU5-0151-000	640 - 26	FU5-0228-000	270 - 13	FU5-2116-000	538 - 15
FU5-0153-000	640 - 27	FU5-0229-000	282 - 4	FU5-2117-000	538 - 16
FU5-0156-000	535 - 9	FU5-0230-000	270 - 14	FU5-2118-000	538 - 17
FU5-0157-000	315 - 35	FU5-0231-000	270 - 15	FU5-2119-000	537 - 50
FU5-0158-000	315 - 36	FU5-0232-000	282 - 5	FU5-2120-000	600 - 29
FU5-0159-000	290 - 4	FU5-0235-000	270 - 16	FU5-2121-000	600 - 73
FU5-0160-000	325 - 16	FU5-0235-000	282 - 6	FU5-2122-000	600 - 53
FU5-0162-000	290 - 5	FU5-0236-000	270 - 17	FU5-2123-000	270 - 18
FU5-0164-000	640 - 36	FU5-0244-000	355 - 36	FU5-2124-000	270 - 19
FU5-0165-000	640 - 37	FU5-0247-000	275 - 5	FU5-2125-000	107 - 8
FU5-0166-000	640 - 38	FU5-0248-000	275 - 6	FU5-2130-000	830 - 10
FU5-0168-000	640 - 40	FU5-0256-000	315 - 37	FU5-2131-000	280 - 16
FU5-0169-000	640 - 22	FU5-0257-000	320 - 34	FU5-2133-000	810 - 46
FU5-0170-000	640 - 20	FU5-0259-000	317 - 14	FU5-2134-000	810 - 8
FU5-0172-000	538 - 14	FU5-0260-000	317 - 15	FU5-2135-000	375 - 18
FU5-0175-000	535 - 10	FU5-0261-000	360 - 21	FU5-2136-010	375 - 19
FU5-0176-010	810 - 32	FU5-0262-000	264 - 9	FU5-2137-000	375 - 20
FU5-0177-000	810 - 23	FU5-0263-000	311 - 36	FU5-2138-000	375 - 21
FU5-0178-000	810 - 24	FU5-0263-000	312 - 36	FU5-2139-040	355 - 38
FU5-0179-020	375 - 17	FU5-0264-000	320 - 47	FU5-2140-000	355 - 39
FU5-0181-000	280 - 10	FU5-0265-000	260 - 12	FU5-2141-000	350 - 7
FU5-0182-000	280 - 11	FU5-0266-000	261 - 6	FU5-2142-000	312 - 37
FU5-0183-000	311 - 30	FU5-0266-000	262 - 5	FU5-2147-000	355 - 40
FU5-0183-000	312 - 30	FU5-0266-000	263 - 12	FU5-2148-010	104 - 20
FU5-0184-000	311 - 31	FU5-0268-000	550 - 16	FU5-2149-000	360 - 38
FU5-0184-000	312 - 31	FU5-0268-000	570 - 13	FU5-2151-000	360 - 42
FU5-0185-000	311 - 32	FU5-0269-000	621 - 16	FU5-2152-000	360 - 22
FU5-0185-000	312 - 32	FU5-0270-000	264 - 8	FU5-2153-000	360 - 39
FU5-0186-000	311 - 33	FU5-0270-000	275 - 8	FU5-2154-000	320 - 35
FU5-0186-000	312 - 33	FU5-0271-000	275 - 9	FU5-2155-000	621 - 28
FU5-0187-000	311 - 34	FU5-0272-000	275 - 10	FU5-2156-000	830 - 11
FU5-0187-000	312 - 34	FU5-0273-000	275 - 11	FU5-2158-000	830 - 12
FU5-0188-000	311 - 35	FU5-0273-000	276 - 8	FU5-2160-000	355 - 41
FU5-0188-000	312 - 35	FU5-0274-000	275 - 12	FU5-2164-000	355 - 42
FU5-0191-000	355 - 35	FU5-0275-000	275 - 13	FU5-2166-000	317 - 16
FU5-0194-000	260 - 11	FU5-0276-000	621 - 27	FU5-2167-000	621 - 39
FU5-0199-000	276 - 7	FU5-0277-000	640 - 28	FU5-2169-000	537 - 41
FU5-0204-000	261 - 5	FU5-0284-000	640 - 29	FU5-2170-000	270 - 20
FU5-0204-000	263 - 10	FU5-0286-000	538 - 13	FU5-2171-000	680 - 4
FU5-0205-000	263 - 11	FU5-0287-000	537 - 37	FU5-2172-000	107 - 20
FU5-0206-000	600 - 28	FU5-0288-000	271 - 6	FU5-2173-000	810 - 37
FU5-0207-000	350 - 6	FU5-0289-000	271 - 10	FU5-2174-000	320 - 36
FU5-0208-000	535 - 11	FU5-0294-010	640 - 39	FU5-2175-000	810 - 71
FU5-0209-000	320 - 32	FU5-0295-010	640 - 30	FU5-2176-020	302 - 3
FU5-0210-000	320 - 33	FU5-1046-000	355 - 37	FU5-2176-020	303 - 3
FU5-0213-000	290 - 6	FU5-2108-000	600 - 56	FU5-2177-000	360 - 46
FU5-0214-000	280 - 12	FU5-2110-000	640 - 31	FU5-2179-000	140 - 9
FU5-0223-000	270 - 8	FU5-2111-000	530 - 17	FU5-2182-000	775 - 12
FU5-0224-000	270 - 9	FU5-2112-000	105 - 23	FU5-2184-000	106 - 33
FU5-0225-000	270 - 10	FU5-2113-000	537 - 38	FU5-2284-000	211 - 10

NUMERICAL INDEX

iR C6800/5800/6870/5870 Series(Numerical Index)

PARTS NUMBER	FIGURE & KEY NO.	PARTS NUMBER	FIGURE & KEY NO.	PARTS NUMBER	FIGURE & KEY NO
FU5-2285-000	211 - 11	FU5-9036-020	106 - 16	NPN	B - J206
FU5-2332-000	375 - 22	FU5-9038-000	538 - 22	NPN	B - J207
FU5-3036-000	320 - 37	FU5-9167-000	210 - 2	NPN	B - J207
FU5-3037-000	320 - 38	FU5-9168-000	210 - 25	NPN	B - J208
FU5-3038-000	317 - 17	FU5-9198-000	320 - 29	NPN	B - J208
FU5-3039-000	275 - 14	FU5-9303-000	106 - 37	NPN	B - J209
FU5-3041-000	270 - 21	FU6-2924-000	100 - 31	NPN	B - J210
FU5-3042-000	282 - 7	FU6-2924-000	140 - 17	NPN	B - J212
FU5-4124-000	106 - 31	FU6-2924-000	315 - 27	NPN	B - J215
FU5-5133-000	311 - 39	FU6-2925-000	315 - 28	NPN	B - J218
FU5-5133-000	312 - 40	FU6-2926-000	315 - 29	NPN	B - J219
FU5-5135-000	311 - 47	FU6-2927-000	315 - 31	NPN	B - J220
FU5-5135-000	312 - 47	FY1-0883-000	550 - 3	NPN	B - J262
FU5-8087-000	621 - 17	KE8-1014-050	900 - 10	NPN	B - J263
FU5-8088-000	621 - 43	KE8-1049-030	103 - 4	NPN	B - J264
FU5-8090-000	105 - 16	KE8-1053-025	900 - 23	NPN	B - J265
FU5-8091-000	316 - 14	KE8-1056-095	900 - 7	NPN	B - J299
FU5-8092-000	002 - 4	NPN	001 -	NPN	B - J303
FU5-8093-000	002 - 5	NPN	002 -	NPN	B - J304
FU5-8094-000	002 - 2	NPN	003 -	NPN	B - J305
FU5-8095-000	002 - 3	NPN	100 -	NPN	B - J306
FU5-8098-000	130 - 3	NPN	101 -	NPN	B - J307
FU5-8099-000	104 - 9	NPN	102 -	NPN	B - J372
FU5-8100-000	316 - 14	NPN	103 -	NPN	B - J373
FU5-8101-000	316 - 14	NPN	104 -	NPN	B - J374
FU5-8102-000	316 - 14	NPN	105 -	NPN	B - J375
FU5-8104-000	100 - 9	NPN	106 -	NPN	B - J376
FU5-8105-000	810 - 7	NPN	107 -	NPN	B - J377
FU5-8106-000	100 - 37	NPN	108 -	NPN	B - J378
FU5-8264-000	210 - 23	NPN	210 -	NPN	B - J382
FU5-8265-000	210 - 23	NPN	211 -	NPN	B - J384
FU5-8266-000	210 - 23	NPN	305 -	NPN	B - J385
FU5-8267-000	210 - 23	NPN	320 -	NPN	B - J387
FU5-8268-000	210 - 24	NPN	510 -	NPN	B - J411
FU5-8269-000	210 - 24	NPN	600 -	NPN	B - J412
FU5-8270-000	210 - 24	NPN	680 -	NPN	B - J414
FU5-8271-000	210 - 24	NPN	900 -	NPN	B - J415
FU5-8272-000	210 - 3	NPN	900A -	NPN	B - J416
FU5-8273-000	210 - 3	NPN	930 -	NPN	B - J417
FU5-8274-000	210 - 3	NPN	941 -	NPN	B - J419
FU5-8275-000	210 - 3	NPN	985 -	NPN	B - J420
FU5-8276-000	210 - 3	NPN	B -	NPN	B - J421
FU5-8277-000	210 - 3	NPN	B - J6	NPN	B - J425
FU5-8278-000	210 - 3	NPN	B - J7	NPN	B - J428
FU5-8279-000	210 - 3	NPN	B - J8	NPN	B - J429
FU5-8280-000	210 - 3	NPN	B - J9	NPN	B - J430
FU5-8284-000	210 - 27	NPN	B - J11	NPN	B - J437
FU5-8285-000	210 - 27	NPN	B - J16	NPN	B - J441
FU5-8525-000	101 - 38	NPN	B - J126	NPN	B - J444
FU5-8560-000	100 - 9	NPN	B - J202	NPN	B - J448
FU5-9035-000	320 - 30	NPN	B - J203	NPN	B - J449
FU5-9035-000	355 - 32	NPN	B - J205	NPN	B - J458

NUMERICAL INDEX

iR C6800/5800/6870/5870 Series(Numerical Index)

PARTS NUMBER	FIGURE & KEY NO.	PARTS NUMBER	FIGURE & KEY NO.	PARTS NUMBER	FIGURE & KEY NO
NPN	B - J508	NPN	B - J715	PCB	B - J127
NPN	B - J509	NPN	B - J717	PCB	B - J130
NPN	B - J510	NPN	B - J718	PCB	B - J131
NPN	B - J511	NPN	B - J720	PCB	B - J132
NPN	B - J512	NPN	B - J721	PCB	B - J133
NPN	B - J513	NPN	B - J722	PCB	B - J134
NPN	B - J514	NPN	B - J723	PCB	B - J135
NPN	B - J515	NPN	B - J724	PCB	B - J140
NPN	B - J520	NPN	B - J725	PCB	B - J141
NPN	B - J521	NPN	B - J726	PCB	B - J142
NPN	B - J522	NPN	B - J727	PCB	B - J143
NPN	B - J523	NPN	B - J728	PCB	B - J144
NPN	B - J524	NPN	B - J729	PCB	B - J201
NPN	B - J525	NPN	B - J730	PCB	B - J202
NPN	B - J526	NPN	B - J731	PCB	B - J203
NPN	B - J527	NPN	B - J735	PCB	B - J204
NPN	B - J528	NPN	B - J751	PCB	B - J205
NPN	B - J529	NPN	B - J752	PCB	B - J206
NPN	B - J530	NPN	B - J753	PCB	B - J207
NPN	B - J531	NPN	B - J753	PCB	B - J208
NPN	B - J532	NPN	B - J754	PCB	B - J250
NPN	B - J533	NPN	B - J754	PCB	B - J251
NPN	B - J534	NPN	B - J756	PCB	B - J252
NPN	B - J535	NPN	B - J758	PCB	B - J253
NPN	B - J536	NPN	B - J759	PCB	B - J301
NPN	B - J537	NPN	B - J761	PCB	B - J305
NPN	B - J538	NPN	B - J763	PCB	B - J306
NPN	B - J539	NPN	B - J765	PCB	B - J307
NPN	B - J540	NPN	B - J765	PCB	B - J308
NPN	B - J541	NPN	B - J767	PCB	B - J309
NPN	B - J542	NPN	B - J768	PCB	B - J310
NPN	B - J543	NPN	B - J1612	PCB	B - J312
NPN	B - J544	NPN	B - J1613	PCB	B - J313
NPN	B - J545	NPN	B - J1615	PCB	B - J383
NPN	B - J546	PCB	B - J1	PCB	B - J408
NPN	B - J547	PCB	B - J101	PCB	B - J426
NPN	B - J549	PCB	B - J102	PCB	B - J427
NPN	B - J550	PCB	B - J110	PCB	B - J435
NPN	B - J551	PCB	B - J112	PCB	B - J436
NPN	B - J552	PCB	B - J113	PCB	B - J470
NPN	B - J553	PCB	B - J114	PCB	B - J507
NPN	B - J602	PCB	B - J115	PCB	B - J554
NPN	B - J701	PCB	B - J116	PCB	B - J601
NPN	B - J702	PCB	B - J117	PCB	B - J602
NPN	B - J703	PCB	B - J118	PCB	B - J1101
NPN	B - J704	PCB	B - J119	PCB	B - J1102
NPN	B - J705	PCB	B - J120	PCB	B - J1102
NPN	B - J706	PCB	B - J121	PCB	B - J1102
NPN	B - J707	PCB	B - J122	PCB	B - J1104
NPN	B - J708	PCB	B - J123	PCB	B - J1105
NPN	B - J713	PCB	B - J124	PCB	B - J1106
NPN	B - J714	PCB	B - J125	PCB	B - J1107

NUMERICAL INDEX

iR C6800/5800/6870/5870 Series(Numerical Index)

PARTS NUMBER	FIGURE & KEY NO.	PARTS NUMBER	FIGURE & KEY NO.	PARTS NUMBER	FIGURE & KEY NO
PCB	B - J1108	PCB	B - J1407	SYS	B - J146
PCB	B - J1109	PCB	B - J1501	SYS	B - J183
PCB	B - J1110	PCB	B - J1502	SYS	B - J453
PCB	B - J1111	PCB	B - J1601	SYS	B - J454
PCB	B - J1112	PCB	B - J1602	SYS	B - J455
PCB	B - J1113	PCB	B - J1605	SYS	B - J456
PCB	B - J1114	PCB	B - J1606	SYS	B - J457
PCB	B - J1115	PCB	B - J1607	SYS	B - J459
PCB	B - J1116	PCB	B - J1611	SYS	B - J462
PCB	B - J1117	PCB	B - J1621	SYS	B - J505
PCB	B - J1118	PCB	B - J1701	SYS	B - J1851
PCB	B - J1119	PCB	B - J1712	SYS	B - J2113
PCB	B - J1120	PCB	B - J1801	SYS	B - J2123
PCB	B - J1121	PCB	B - J1802	SYS	B - J2124
PCB	B - J1122	PCB	B - J1803	SYS	B - J2125
PCB	B - J1124	PCB	B - J1804	SYS	B - J5101
PCB	B - J1125	PCB	B - J1805	SYS	B - J5102
PCB	B - J1127	PCB	B - J1806	VD7-0522-501	110 - 6
PCB	B - J1128	PCB	B - J1807	VD7-2891-251	110 - 6
PCB	B - J1129	PCB	B - J1810	VS1-0279-003	B - J714
PCB	B - J1130	PCB	B - J1811	VS1-0978-006	B - J554
PCB	B - J1131	PCB	B - J1812	VS1-5452-007	B - J305
PCB	B - J1132	PCB	B - J1813	VS1-5452-007	B - J459
PCB	B - J1133	PCB	B - J1816	VS1-5452-007	B - J505
PCB	B - J1134	PCB	B - J1817	VS1-5452-007	B - J1125
PCB	B - J1135	PCB	B - J1818	VS1-5824-003	B - J446
PCB	B - J1136	PCB	B - J1819	VS1-5824-003	B - J740
PCB	B - J1201	PCB	B - J1820	VS1-5824-003	B - J1134
PCB	B - J1202	PCB	B - J1821	VS1-5824-003	B - J1902
PCB	B - J1203	PCB	B - J1822	VS1-5824-004	B - J146
PCB	B - J1205	PCB	B - J1823	VS1-5824-004	B - J409
PCB	B - J1206	PCB	B - J1850	VS1-5824-004	B - J765
PCB	B - J1207	PCB	B - J1901	VS1-5824-005	B - J755
PCB	B - J1208	PCB	B - J1902	VS1-5824-006	B - J407
PCB	B - J1209	PCB	B - J2110	VS1-5824-006	B - J726
PCB	B - J1212	PCB	B - J2115	VS1-5824-006	B - J1312
PCB	B - J1213	PCB	B - J2118	VS1-6084-007	B - J305
PCB	B - J1301	PCB	B - J2126	VS1-6084-008	B - J505
PCB	B - J1302	PCB	B - J2127	VS1-6197-014	B - J305
PCB	B - J1303	PCB	B - J2130	VS1-6302-002	B - J120
PCB	B - J1305	PCB	B - J2131	VS1-6302-002	B - J441
PCB	B - J1307	PCB	B - J2132	VS1-6302-002	B - J447
PCB	B - J1308	PCB	B - J2133	VS1-6302-002	B - J458
PCB	B - J1310	PCB	B - J2134	VS1-6302-002	B - J1813
PCB	B - J1311	PCB	B - J2135	VS1-6302-004	B - J253
PCB	B - J1312	RB1-0325-000	810 - 47	VS1-6302-004	B - J1131
PCB	B - J1401	RH2-5339-000	B - J16	VS1-6302-004	B - J1202
PCB	B - J1402	RS5-1308-000	275 - 15	VS1-6302-004	B - J1811
PCB	B - J1403	RS5-1419-000	538 - 18	VS1-6302-005	B - J1822
PCB	B - J1404	RS5-1567-000	315 - 39	VS1-6302-005	B - J1823
PCB	B - J1405	RS5-9056-000	640 - 32	VS1-6302-006	B - J118
PCB	B - J1406	SYS	B - J5	VS1-6302-006	B - J251

NUMERICAL INDEX

iR C6800/5800/6870/5870 Series(Numerical Index)

PARTS NUMBER	FIGURE & KEY NO.	PARTS NUMBER	FIGURE & KEY NO.	PARTS NUMBER	FIGURE & KEY NO
VS1-6302-006	B - J1407	VS1-6314-002	B - J219	VS1-6314-010	B - J750
VS1-6302-008	B - J201	VS1-6314-002	B - J265	VS1-6314-010	B - J1105
VS1-6302-009	B - J309	VS1-6314-003	B - J122	VS1-6314-010	B - J1116
VS1-6302-012	B - J1122	VS1-6314-003	B - J1202	VS1-6314-010	B - J1120
VS1-6302-012	B - J1311	VS1-6314-003	B - J1203	VS1-6314-010	B - J1124
VS1-6302-012	B - J1405	VS1-6314-003	B - J1816	VS1-6314-010	B - J1209
VS1-6302-012	B - J1406	VS1-6314-003	B - J1817	VS1-6314-010	B - J1302
VS1-6302-013	B - J1310	VS1-6314-004	B - J125	VS1-6314-010	B - J1403
VS1-6313-008	B - J217	VS1-6314-004	B - J220	VS1-6314-011	B - J301
VS1-6313-008	B - J261	VS1-6314-005	B - J124	VS1-6314-011	B - J1307
VS1-6313-008	B - J431	VS1-6314-005	B - J1303	VS1-6314-011	B - J1819
VS1-6313-009	B - J503	VS1-6314-005	B - J2124	VS1-6314-011	B - J1821
VS1-6313-009	B - J516	VS1-6314-006	B - J216	VS1-6314-011	B - J2135
VS1-6313-009	B - J517	VS1-6314-006	B - J262	VS1-6314-012	B - J214
VS1-6313-009	B - J518	VS1-6314-006	B - J267	VS1-6314-012	B - J402
VS1-6313-009	B - J519	VS1-6314-006	B - J438	VS1-6314-012	B - J403
VS1-6313-009	B - J1112	VS1-6314-006	B - J709	VS1-6314-012	B - J1108
VS1-6313-010	810 - 74	VS1-6314-006	B - J1136	VS1-6314-012	B - J1111
VS1-6313-010	B - J434	VS1-6314-006	B - J1213	VS1-6314-012	B - J1308
VS1-6313-010	B - J750	VS1-6314-006	B - J2110	VS1-6314-012	B - J1501
VS1-6313-010	B - J1105	VS1-6314-007	B - J110	VS1-6314-012	B - J1605
VS1-6313-010	B - J1116	VS1-6314-007	B - J710	VS1-6314-012	B - J2111
VS1-6313-010	B - J1120	VS1-6314-007	B - J1128	VS1-6314-013	B - J432
VS1-6313-010	B - J1124	VS1-6314-008	B - J217	VS1-6314-013	B - J711
VS1-6313-010	B - J1133	VS1-6314-008	B - J261	VS1-6314-013	B - J1117
VS1-6313-010	B - J1302	VS1-6314-008	B - J266	VS1-6314-013	B - J1118
VS1-6313-010	B - J1403	VS1-6314-008	B - J431	VS1-6314-013	B - J1133
VS1-6313-011	B - J1307	VS1-6314-008	B - J437	VS1-6314-013	B - J1305
VS1-6313-012	B - J402	VS1-6314-008	B - J766	VS1-6314-013	B - J1601
VS1-6313-012	B - J403	VS1-6314-008	B - J1104	VS1-6314-013	B - J2134
VS1-6313-012	B - J1108	VS1-6314-008	B - J1132	VS1-6314-014	B - J381
VS1-6313-012	B - J1111	VS1-6314-008	B - J1207	VS1-6314-014	B - J1121
VS1-6313-012	B - J1308	VS1-6314-008	B - J1404	VS1-6314-014	B - J2133
VS1-6313-013	B - J432	VS1-6314-008	B - J1901	VS1-6314-015	B - J371
VS1-6313-013	B - J1117	VS1-6314-009	810 - 75	VS1-6314-015	B - J405
VS1-6313-013	B - J1118	VS1-6314-009	B - J310	VS1-6314-015	B - J1107
VS1-6313-013	B - J1305	VS1-6314-009	B - J434	VS1-6314-015	B - J1109
VS1-6313-015	B - J371	VS1-6314-009	B - J503	VS1-6314-015	B - J1701
VS1-6313-015	B - J1109	VS1-6314-009	B - J516	VS1-6314-016	B - J201
VS1-6313-016	B - J201	VS1-6314-009	B - J517	VS1-6314-016	B - J401
VS1-6313-016	B - J401	VS1-6314-009	B - J518	VS1-6314-016	B - J1106
VS1-6313-016	B - J1106	VS1-6314-009	B - J519	VS1-6314-016	B - J1110
VS1-6313-016	B - J1115	VS1-6314-009	B - J555	VS1-6314-016	B - J1115
VS1-6313-016	B - J1402	VS1-6314-009	B - J733	VS1-6314-016	B - J1402
VS1-6313-018	B - J1113	VS1-6314-009	B - J1102	VS1-6314-016	B - J2132
VS1-6313-018	B - J1212	VS1-6314-009	B - J1112	VS1-6314-017	B - J1606
VS1-6313-018	B - J2116	VS1-6314-009	B - J1818	VS1-6314-017	B - J1607
VS1-6313-018	B - J2117	VS1-6314-009	B - J1820	VS1-6314-018	B - J1113
VS1-6313-018	B - J2118	VS1-6314-009	B - J2115	VS1-6314-018	B - J1212
VS1-6313-019	B - J1114	VS1-6314-010	B - J135	VS1-6314-018	B - J2116
VS1-6313-020	B - J404	VS1-6314-010	B - J144	VS1-6314-018	B - J2117
VS1-6313-020	B - J1119	VS1-6314-010	B - J453	VS1-6314-018	B - J2118

NUMERICAL INDEX

iR C6800/5800/6870/5870 Series(Numerical Index)

PARTS NUMBER	FIGURE & KEY NO.	PARTS NUMBER	FIGURE & KEY NO.	PARTS NUMBER	FIGURE & KEY NO
VS1-6314-019	B - J1114	VS1-6321-003	B - J383	VS1-6321-003	B - J704
VS1-6314-019	B - J1810	VS1-6321-003	B - J384	VS1-6321-003	B - J705
VS1-6314-020	B - J404	VS1-6321-003	B - J385	VS1-6321-003	B - J707
VS1-6314-020	B - J1119	VS1-6321-003	B - J386	VS1-6321-003	B - J708
VS1-6321-002	B - J205	VS1-6321-003	B - J387	VS1-6321-003	B - J713
VS1-6321-002	B - J207	VS1-6321-003	B - J410	VS1-6321-003	B - J715
VS1-6321-002	B - J208	VS1-6321-003	B - J411	VS1-6321-003	B - J717
VS1-6321-002	B - J303	VS1-6321-003	B - J412	VS1-6321-003	B - J718
VS1-6321-002	B - J304	VS1-6321-003	B - J413	VS1-6321-003	B - J719
VS1-6321-002	B - J373	VS1-6321-003	B - J414	VS1-6321-003	B - J720
VS1-6321-002	B - J374	VS1-6321-003	B - J415	VS1-6321-003	B - J721
VS1-6321-002	B - J375	VS1-6321-003	B - J416	VS1-6321-003	B - J740
VS1-6321-002	B - J382	VS1-6321-003	B - J417	VS1-6321-003	B - J741
VS1-6321-002	B - J424	VS1-6321-003	B - J418	VS1-6321-003	B - J742
VS1-6321-002	B - J425	VS1-6321-003	B - J419	VS1-6321-003	B - J751
VS1-6321-002	B - J449	VS1-6321-003	B - J420	VS1-6321-003	B - J752
VS1-6321-002	B - J520	VS1-6321-003	B - J421	VS1-6321-003	B - J757
VS1-6321-002	B - J526	VS1-6321-003	B - J439	VS1-6321-003	B - J763
VS1-6321-002	B - J532	VS1-6321-003	B - J444	VS1-6321-003	B - J767
VS1-6321-002	B - J538	VS1-6321-003	B - J445	VS1-6321-003	B - J768
VS1-6321-002	B - J544	VS1-6321-003	B - J508	VS1-6321-003	B - J2130
VS1-6321-002	B - J545	VS1-6321-003	B - J509	VS1-6321-004	B - J119
VS1-6321-002	B - J546	VS1-6321-003	B - J510	VS1-6321-004	B - J202
VS1-6321-002	B - J547	VS1-6321-003	B - J511	VS1-6321-004	B - J211
VS1-6321-002	B - J722	VS1-6321-003	B - J512	VS1-6321-004	B - J409
VS1-6321-002	B - J723	VS1-6321-003	B - J513	VS1-6321-004	B - J422
VS1-6321-002	B - J724	VS1-6321-003	B - J514	VS1-6321-004	B - J423
VS1-6321-002	B - J730	VS1-6321-003	B - J515	VS1-6321-004	B - J426
VS1-6321-002	B - J731	VS1-6321-003	B - J521	VS1-6321-004	B - J753
VS1-6321-002	B - J756	VS1-6321-003	B - J522	VS1-6321-004	B - J754
VS1-6321-002	B - J2131	VS1-6321-003	B - J523	VS1-6321-004	B - J758
VS1-6321-003	B - J6	VS1-6321-003	B - J524	VS1-6321-004	B - J1135
VS1-6321-003	B - J7	VS1-6321-003	B - J525	VS1-6321-004	B - J1205
VS1-6321-003	B - J8	VS1-6321-003	B - J527	VS1-6321-004	B - J2122
VS1-6321-003	B - J11	VS1-6321-003	B - J528	VS1-6321-005	B - J755
VS1-6321-003	B - J126	VS1-6321-003	B - J529	VS1-6321-006	B - J299
VS1-6321-003	B - J203	VS1-6321-003	B - J530	VS1-6321-006	B - J388
VS1-6321-003	B - J206	VS1-6321-003	B - J531	VS1-6321-006	B - J433
VS1-6321-003	B - J209	VS1-6321-003	B - J533	VS1-6321-006	B - J461
VS1-6321-003	B - J210	VS1-6321-003	B - J534	VS1-6321-006	B - J501
VS1-6321-003	B - J212	VS1-6321-003	B - J535	VS1-6321-006	B - J502
VS1-6321-003	B - J213	VS1-6321-003	B - J536	VS1-6321-006	B - J504
VS1-6321-003	B - J215	VS1-6321-003	B - J537	VS1-6321-006	B - J505
VS1-6321-003	B - J218	VS1-6321-003	B - J539	VS1-6321-006	B - J506
VS1-6321-003	B - J221	VS1-6321-003	B - J540	VS1-6321-006	B - J507
VS1-6321-003	B - J263	VS1-6321-003	B - J541	VS1-6321-006	B - J706
VS1-6321-003	B - J264	VS1-6321-003	B - J542	VS1-6321-006	B - J735
VS1-6321-003	B - J305	VS1-6321-003	B - J543	VS1-6321-006	B - J1206
VS1-6321-003	B - J307	VS1-6321-003	B - J556	VS1-6321-008	B - J372
VS1-6321-003	B - J313	VS1-6321-003	B - J701	VS1-6321-008	B - J376
VS1-6321-003	B - J377	VS1-6321-003	B - J702	VS1-6321-008	B - J460
VS1-6321-003	B - J378	VS1-6321-003	B - J703	VS1-6321-008	B - J759

NUMERICAL INDEX

iR C6800/5800/6870/5870 Series(Numerical Index)

PARTS NUMBER	FIGURE & KEY NO.	PARTS NUMBER	FIGURE & KEY NO.	PARTS NUMBER	FIGURE & KEY NO
VS1-6321-008	B - J2125	VS1-7110-002	B - J5	VS1-7110-009	B - J115
VS1-6321-012	B - J2123	VS1-7110-002	B - J117	VS1-7110-009	B - J1611
VS1-6535-004	B - J454	VS1-7110-002	B - J123	VS1-7110-010	B - J252
VS1-6702-002	B - J447	VS1-7110-002	B - J130	VS1-7110-010	B - J1101
VS1-6702-002	B - J448	VS1-7110-002	B - J312	VS1-7110-010	B - J1615
VS1-6702-006	B - J428	VS1-7110-002	B - J406	VS1-7164-016	600 - 61
VS1-6702-006	B - J430	VS1-7110-002	B - J435	VS1-7164-016	B - J217
VS1-6702-006	B - J549	VS1-7110-002	B - J436	VS1-7164-018	107 - 18
VS1-6702-006	B - J550	VS1-7110-002	B - J451	VS1-7164-018	311 - 41
VS1-6702-006	B - J551	VS1-7110-002	B - J452	VS1-7164-018	312 - 46
VS1-6702-006	B - J552	VS1-7110-002	B - J760	VS1-7164-018	B - J503
VS1-6702-006	B - J553	VS1-7110-002	B - J761	VS1-7164-018	B - J516
VS1-6702-006	B - J725	VS1-7110-002	B - J762	VS1-7164-018	B - J517
VS1-6702-006	B - J727	VS1-7110-002	B - J1130	VS1-7164-018	B - J518
VS1-6702-006	B - J728	VS1-7110-002	B - J1502	VS1-7164-018	B - J519
VS1-6702-006	B - J729	VS1-7110-002	B - J1602	VS1-7164-020	280 - 21
VS1-6757-006	B - J427	VS1-7110-002	B - J1616	VS1-7164-020	B - J750
VS1-6956-002	B - J1801	VS1-7110-002	B - J1621	VS1-7164-024	106 - 10
VS1-6956-004	B - J131	VS1-7110-002	B - J1712	VS1-7164-024	B - J402
VS1-6956-004	B - J140	VS1-7110-002	B - J1713	VS1-7164-026	104 - 25
VS1-6958-002	B - J1812	VS1-7110-002	B - J1803	VS1-7164-026	B - J432
VS1-6958-004	B - J132	VS1-7110-003	B - J7	VS1-7164-030	B - J371
VS1-6958-004	B - J141	VS1-7110-003	B - J10	VS1-7164-032	102 - 16
VS1-6982-001	B - J1614	VS1-7110-003	B - J11	VS1-7164-032	B - J201
VS1-6982-001	B - J1714	VS1-7110-003	B - J12	VS1-7164-032	B - J401
VS1-6982-002	B - J406	VS1-7110-003	B - J17	VS1-7164-036	101 - 3
VS1-6982-002	B - J451	VS1-7110-003	B - J127	VS1-7164-036	130 - 23
VS1-6982-002	B - J452	VS1-7110-003	B - J1613	VS1-7164-036	B - J2116
VS1-6982-002	B - J760	VS1-7110-003	B - J1802	VS1-7164-036	B - J2117
VS1-6982-002	B - J762	VS1-7110-003	B - J1804	VS1-7173-002	537 - 49
VS1-6982-002	B - J1616	VS1-7110-003	B - J1805	VS1-7173-002	600 - 60
VS1-6982-003	B - J7	VS1-7110-004	B - J116	VS1-7173-002	B - J219
VS1-6982-003	B - J10	VS1-7110-004	B - J185	VS1-7173-002	B - J265
VS1-6982-003	B - J11	VS1-7110-004	B - J301	VS1-7173-003	900 - 22
VS1-6982-003	B - J12	VS1-7110-004	B - J442	VS1-7173-003	B - J1202
VS1-6982-003	B - J17	VS1-7110-004	B - J732	VS1-7173-006	101 - 28
VS1-6982-003	B - J1613	VS1-7110-004	B - J1301	VS1-7173-006	106 - 11
VS1-6982-004	B - J185	VS1-7110-004	B - J1401	VS1-7173-006	330 - 16
VS1-6982-004	B - J442	VS1-7110-004	B - J1612	VS1-7173-006	680 - 7
VS1-6982-004	B - J732	VS1-7110-005	B - J1	VS1-7173-006	B - J216
VS1-6982-004	B - J1612	VS1-7110-005	B - J121	VS1-7173-006	B - J267
VS1-6982-006	B - J429	VS1-7110-005	B - J250	VS1-7173-006	B - J438
VS1-6982-010	B - J1615	VS1-7110-005	B - J1806	VS1-7173-006	B - J709
VS1-7077-019	810 - 72	VS1-7110-005	B - J1850	VS1-7173-007	530 - 21
VS1-7077-019	B - J8	VS1-7110-006	B - J112	VS1-7173-007	B - J710
VS1-7078-019	B - J8	VS1-7110-006	B - J134	VS1-7173-008	101 - 29
VS1-7079-024	B - J403	VS1-7110-006	B - J143	VS1-7173-008	104 - 22
VS1-7079-040	B - J404	VS1-7110-006	B - J1127	VS1-7173-008	106 - 12
VS1-7080-024	B - J403	VS1-7110-007	B - J114	VS1-7173-008	330 - 15
VS1-7080-040	B - J404	VS1-7110-007	B - J133	VS1-7173-008	537 - 33
VS1-7110-001	B - J1614	VS1-7110-007	B - J142	VS1-7173-008	B - J261
VS1-7110-001	B - J1714	VS1-7110-008	B - J113	VS1-7173-008	B - J266

NUMERICAL INDEX

iR C6800/5800/6870/5870 Series(Numerical Index)

PARTS NUMBER	FIGURE & KEY NO.	PARTS NUMBER	FIGURE & KEY NO.	PARTS NUMBER	FIGURE & KEY NO
VS1-7173-008	B - J431	VS1-7177-003	106 - 6	VS1-7177-004	600 - 66
VS1-7173-008	B - J437	VS1-7177-003	140 - 18	VS1-7177-004	810 - 51
VS1-7173-009	101 - 16	VS1-7177-003	190 - 2	VS1-7177-004	B - J211
VS1-7173-009	317 - 21	VS1-7177-003	191 - 5	VS1-7177-004	B - J409
VS1-7173-009	B - J555	VS1-7177-003	192 - 2	VS1-7177-004	B - J422
VS1-7173-009	B - J733	VS1-7177-003	193 - 3	VS1-7177-004	B - J423
VS1-7173-010	106 - 13	VS1-7177-003	193 - 4	VS1-7177-004	B - J753
VS1-7173-010	B - J453	VS1-7177-003	194 - 3	VS1-7177-004	B - J754
VS1-7173-011	101 - 30	VS1-7177-003	272 - 9	VS1-7177-004	B - J758
VS1-7173-011	B - J301	VS1-7177-003	272 - 10	VS1-7177-004	B - J765
VS1-7173-012	101 - 31	VS1-7177-003	280 - 19	VS1-7177-004	B - J2122
VS1-7173-012	103 - 17	VS1-7177-003	330 - 14	VS1-7177-005	810 - 53
VS1-7173-012	B - J214	VS1-7177-003	350 - 10	VS1-7177-005	B - J755
VS1-7173-012	B - J2111	VS1-7177-003	360 - 48	VS1-7177-006	101 - 17
VS1-7173-013	320 - 42	VS1-7177-003	600 - 64	VS1-7177-006	102 - 12
VS1-7173-013	B - J711	VS1-7177-003	621 - 46	VS1-7177-006	106 - 8
VS1-7173-014	315 - 46	VS1-7177-003	810 - 52	VS1-7177-006	107 - 10
VS1-7173-014	B - J381	VS1-7177-003	910 - 7	VS1-7177-006	272 - 11
VS1-7173-015	360 - 25	VS1-7177-003	B - J11	VS1-7177-006	290 - 7
VS1-7173-015	B - J405	VS1-7177-003	B - J126	VS1-7177-006	315 - 42
VS1-7177-002	102 - 15	VS1-7177-003	B - J206	VS1-7177-006	320 - 43
VS1-7177-002	270 - 25	VS1-7177-003	B - J209	VS1-7177-006	940 - 3
VS1-7177-002	280 - 18	VS1-7177-003	B - J213	VS1-7177-006	B - J388
VS1-7177-002	282 - 12	VS1-7177-003	B - J221	VS1-7177-006	B - J407
VS1-7177-002	311 - 46	VS1-7177-003	B - J305	VS1-7177-006	B - J433
VS1-7177-002	312 - 45	VS1-7177-003	B - J377	VS1-7177-006	B - J461
VS1-7177-002	315 - 41	VS1-7177-003	B - J386	VS1-7177-006	B - J501
VS1-7177-002	320 - 41	VS1-7177-003	B - J410	VS1-7177-006	B - J502
VS1-7177-002	360 - 52	VS1-7177-003	B - J411	VS1-7177-006	B - J504
VS1-7177-002	535 - 13	VS1-7177-003	B - J413	VS1-7177-006	B - J505
VS1-7177-002	550 - 17	VS1-7177-003	B - J418	VS1-7177-006	B - J506
VS1-7177-002	600 - 59	VS1-7177-003	B - J420	VS1-7177-006	B - J507
VS1-7177-002	B - J205	VS1-7177-003	B - J439	VS1-7177-006	B - J706
VS1-7177-002	B - J208	VS1-7177-003	B - J445	VS1-7177-006	B - J726
VS1-7177-002	B - J373	VS1-7177-003	B - J446	VS1-7177-006	B - J735
VS1-7177-002	B - J374	VS1-7177-003	B - J556	VS1-7177-008	106 - 23
VS1-7177-002	B - J375	VS1-7177-003	B - J707	VS1-7177-008	B - J460
VS1-7177-002	B - J382	VS1-7177-003	B - J708	VS1-7177-008	B - J766
VS1-7177-002	B - J424	VS1-7177-003	B - J719	VS1-7177-012	103 - 18
VS1-7177-002	B - J425	VS1-7177-003	B - J720	VS1-7177-012	B - J2123
VS1-7177-002	B - J449	VS1-7177-003	B - J740	VS1-7178-002	B - J1208
VS1-7177-002	B - J520	VS1-7177-003	B - J741	VS1-7178-002	B - J2113
VS1-7177-002	B - J526	VS1-7177-003	B - J742	VS1-7178-006	B - J461
VS1-7177-002	B - J532	VS1-7177-003	B - J757	VS1-7178-006	B - J506
VS1-7177-002	B - J538	VS1-7177-003	B - J760	VS1-7178-008	B - J460
VS1-7177-002	B - J722	VS1-7177-003	B - J767	VS1-7208-006	B - J462
VS1-7177-002	B - J723	VS1-7177-003	B - J768	VS1-7208-008	B - J456
VS1-7177-002	B - J724	VS1-7177-004	101 - 2	VS3-5002-003	B - J1807
VS1-7177-002	B - J756	VS1-7177-004	103 - 11	VS3-5080-005	B - J1129
VS1-7177-003	101 - 7	VS1-7177-004	106 - 7	VS3-5080-008	B - J455
VS1-7177-003	104 - 24	VS1-7177-004	107 - 17	VS3-5083-004	B - J2126
VS1-7177-003	105 - 30	VS1-7177-004	280 - 20	VS3-5083-010	B - J1201

NUMERICAL INDEX

iR C6800/5800/6870/5870 Series(Numerical Index)

PARTS NUMBER	FIGURE & KEY NO.	PARTS NUMBER	FIGURE & KEY NO.	PARTS NUMBER	FIGURE & KEY NO
VS3-5094-004	B - J470	WS3-1226-000	B - J1807	WS3-5720-000	B - J553
VS3-5233-006	B - J408	WS3-5160-000	B - J1201	WS3-5720-000	B - J725
VS4-0001-002	B - J5100	WS3-5160-000	B - J2126	WS3-5720-000	B - J727
VS4-0002-002	B - J9	WS3-5263-000	B - J14	WS3-5720-000	B - J728
VS4-0002-002	B - J5100	WS3-5264-000	B - J14	WS3-5720-000	B - J729
VS4-0002-002	B - J5101	WS3-5358-000	B - J409	WS3-5721-000	B - J427
VS4-0002-002	B - J5102	WS3-5358-000	B - J446	WS3-5730-000	B - J407
VT2-5161-016	B - J217	WS3-5358-000	B - J740	WS3-5730-000	B - J755
VT2-5161-018	B - J503	WS3-5569-000	B - J118	WS3-5730-000	B - J765
VT2-5161-018	B - J516	WS3-5569-000	B - J120	WS3-5744-000	B - J17
VT2-5161-018	B - J517	WS3-5569-000	B - J201	WS3-5744-000	B - J429
VT2-5161-018	B - J518	WS3-5569-000	B - J251	WS3-5744-000	B - J732
VT2-5161-018	B - J519	WS3-5569-000	B - J253	WS3-5815-000	B - J7
VT2-5161-018	B - J1112	WS3-5569-000	B - J309	WS3-5815-000	B - J10
VT2-5161-020	B - J750	WS3-5569-000	B - J441	WS3-5815-000	B - J11
VT2-5161-020	B - J1105	WS3-5569-000	B - J447	WS3-5815-000	B - J12
VT2-5161-020	B - J1116	WS3-5569-000	B - J458	WS3-5815-000	B - J185
VT2-5161-020	B - J1120	WS3-5569-000	B - J1122	WS3-5815-000	B - J406
VT2-5161-020	B - J1124	WS3-5569-000	B - J1131	WS3-5815-000	B - J442
VT2-5161-020	B - J1302	WS3-5569-000	B - J1202	WS3-5815-000	B - J451
VT2-5161-020	B - J1403	WS3-5569-000	B - J1310	WS3-5815-000	B - J452
VT2-5161-022	B - J1307	WS3-5569-000	B - J1311	WS3-5815-000	B - J732
VT2-5161-024	B - J402	WS3-5569-000	B - J1405	WS3-5815-000	B - J760
VT2-5161-024	B - J403	WS3-5569-000	B - J1406	WS3-5815-000	B - J762
VT2-5161-024	B - J1108	WS3-5569-000	B - J1407	WS3-5815-000	B - J1612
VT2-5161-024	B - J1111	WS3-5569-000	B - J1811	WS3-5815-000	B - J1613
VT2-5161-024	B - J1308	WS3-5596-000	B - J183	WS3-5815-000	B - J1614
VT2-5161-026	B - J432	WS3-5596-000	B - J505	WS3-5815-000	B - J1615
VT2-5161-026	B - J1117	WS3-5659-000	B - J454	WS3-5815-000	B - J1616
VT2-5161-026	B - J1118	WS3-5680-000	B - J1813	WS3-5815-000	B - J1714
VT2-5161-026	B - J1133	WS3-5680-000	B - J1822	WS3-5817-000	B - J457
VT2-5161-026	B - J1305	WS3-5680-000	B - J1823	WS3-5858-000	B - J5
VT2-5161-030	B - J371	WS3-5682-000	B - J146	WS3-5858-000	B - J7
VT2-5161-030	B - J1109	WS3-5682-000	B - J446	WS3-5858-000	B - J10
VT2-5161-032	B - J201	WS3-5682-000	B - J726	WS3-5858-000	B - J11
VT2-5161-032	B - J401	WS3-5682-000	B - J1134	WS3-5858-000	B - J12
VT2-5161-032	B - J1106	WS3-5682-000	B - J1312	WS3-5858-000	B - J112
VT2-5161-032	B - J1115	WS3-5682-000	B - J1902	WS3-5858-000	B - J113
VT2-5161-032	B - J1402	WS3-5688-000	B - J131	WS3-5858-000	B - J114
VT2-5161-036	B - J1113	WS3-5688-000	B - J132	WS3-5858-000	B - J115
VT2-5161-036	B - J1212	WS3-5688-000	B - J140	WS3-5858-000	B - J116
VT2-5161-036	B - J2116	WS3-5688-000	B - J141	WS3-5858-000	B - J117
VT2-5161-036	B - J2117	WS3-5688-000	B - J1812	WS3-5858-000	B - J185
VT2-5161-036	B - J2118	WS3-5717-000	B - J408	WS3-5858-000	B - J312
VT2-5161-038	B - J1114	WS3-5720-000	B - J428	WS3-5858-000	B - J406
VT2-5161-040	B - J404	WS3-5720-000	B - J430	WS3-5858-000	B - J435
VT2-5161-040	B - J1119	WS3-5720-000	B - J447	WS3-5858-000	B - J436
WA4-8498-000	930 - IC105	WS3-5720-000	B - J448	WS3-5858-000	B - J442
WA7-4106-000	900 - 1	WS3-5720-000	B - J549	WS3-5858-000	B - J451
WA7-4107-000	900 - 24	WS3-5720-000	B - J550	WS3-5858-000	B - J452
WB1-5198-000	910 - 3	WS3-5720-000	B - J551	WS3-5858-000	B - J732
WS3-0469-000	B - J714	WS3-5720-000	B - J552	WS3-5858-000	B - J760

NUMERICAL INDEX

iR C6800/5800/6870/5870 Series(Numerical Index)

PARTS NUMBER	FIGURE & KEY NO.	PARTS NUMBER	FIGURE & KEY NO.	PARTS NUMBER	FIGURE & KEY NO.
WS3-5858-000	B - J761	WS3-5884-000	810 - 73	XB1-2260-806	211 - 508
WS3-5858-000	B - J762	WS3-5884-000	B - J8	XB1-2300-402	640 - 501
WS3-5858-000	B - J1101	WS3-5892-000	B - J457	XB1-2300-406	430 - 501
WS3-5858-000	B - J1301	WS4-0217-000	B - J5100	XB1-2300-407	103 - 501
WS3-5858-000	B - J1401	WS4-0218-000	B - J9	XB1-2300-407	104 - 504
WS3-5858-000	B - J1502	WS4-0218-000	B - J5101	XB1-2300-407	272 - 501
WS3-5858-000	B - J1602	WS4-0218-000	B - J5102	XB1-2300-407	280 - 507
WS3-5858-000	B - J1611	WS4-0220-000	B - J5100	XB1-2300-407	290 - 501
WS3-5858-000	B - J1612	WS5-5050-000	B - J3	XB1-2300-407	311 - 501
WS3-5858-000	B - J1613	WS5-5087-000	B - J1851	XB1-2300-407	312 - 501
WS3-5858-000	B - J1614	WT1-0579-000	B - J16	XB1-2300-407	317 - 501
WS3-5858-000	B - J1615	WT1-5155-000	B - J455	XB1-2300-407	350 - 501
WS3-5858-000	B - J1616	WT1-5155-000	B - J1129	XB1-2300-407	355 - 501
WS3-5858-000	B - J1621	WT1-5208-000	B - J470	XB1-2300-407	360 - 513
WS3-5858-000	B - J1712	WT2-5232-000	810 - 79	XB1-2300-407	375 - 501
WS3-5858-000	B - J1713	WT2-5565-000	101 - 15	XB1-2300-407	537 - 511
WS3-5858-000	B - J1714	WT2-5565-000	102 - 8	XB1-2300-407	570 - 501
WS3-5858-000	B - J1805	WT2-5565-000	107 - 21	XB1-2300-407	600 - 513
WS3-5858-000	B - J1806	WT2-5565-000	211 - 16	XB1-2300-407	680 - 501
WS3-5858-000	B - J1850	WT2-5565-000	315 - 43	XB1-2300-606	211 - 507
WS3-5859-000	B - J1	WT2-5565-000	530 - 18	XB1-2300-607	104 - 503
WS3-5859-000	B - J17	WT2-5565-000	621 - 40	XB1-2300-607	106 - 511
WS3-5859-000	B - J112	WT2-5699-000	810 - 80	XB1-2300-607	107 - 501
WS3-5859-000	B - J113	WT2-5826-000	211 - 17	XB1-2300-607	315 - 501
WS3-5859-000	B - J115	X62-5133-000	B - J2127	XB1-2300-607	320 - 502
WS3-5859-000	B - J121	X65-5854-000	B - J2127	XB1-2300-607	530 - 501
WS3-5859-000	B - J123	XA9-0228-000	550 - 18	XB1-2300-607	535 - 501
WS3-5859-000	B - J127	XA9-0265-010	211 - 18	XB1-2300-607	537 - 501
WS3-5859-000	B - J130	XA9-0425-030	430 - 9	XB1-2300-607	537 - 515
WS3-5859-000	B - J133	XA9-0679-000	375 - 23	XB1-2300-607	538 - 501
WS3-5859-000	B - J134	XA9-0679-000	538 - 19	XB1-2300-607	550 - 501
WS3-5859-000	B - J142	XA9-0679-000	600 - 30	XB1-2300-607	600 - 501
WS3-5859-000	B - J143	XA9-0874-000	001 - 6	XB1-2300-607	680 - 502
WS3-5859-000	B - J250	XA9-0944-000	103 - 14	XB1-2300-607	810 - 511
WS3-5859-000	B - J252	XA9-0944-000	282 - 8	XB1-2300-807	941 - 501
WS3-5859-000	B - J301	XA9-1031-000	305 - 2	XB1-2301-407	550 - 502
WS3-5859-000	B - J732	XA9-1063-000	538 - 20	XB1-2302-003	550 - 503
WS3-5859-000	B - J1101	XA9-1415-000	211 - 13	XB1-2302-007	275 - 501
WS3-5859-000	B - J1127	XA9-1479-000	810 - 48	XB1-2302-007	276 - 501
WS3-5859-000	B - J1130	XA9-1491-000	107 - 4	XB1-2303-003	570 - 502
WS3-5859-000	B - J1301	XA9-1496-000	900 - 4	XB1-2400-407	600 - 515
WS3-5859-000	B - J1401	XA9-1496-000	900A - 4	XB1-2400-603	110 - 506
WS3-5859-000	B - J1802	XA9-1520-000	302 - 4	XB1-2400-607	101 - 502
WS3-5859-000	B - J1803	XA9-1520-000	303 - 4	XB1-2400-607	102 - 503
WS3-5859-000	B - J1804	XA9-1521-000	210 - 26	XB1-2400-607	103 - 503
WS3-5879-000	B - J404	XA9-1521-000	211 - 12	XB1-2400-607	104 - 505
WS3-5880-000	B - J403	XA9-1547-000	810 - 76	XB1-2400-607	105 - 506
WS3-5880-000	B - J404	XA9-1821-000	106 - 20	XB1-2400-607	106 - 508
WS3-5881-000	B - J403	XB1-1402-005	110 - 501	XB1-2400-607	107 - 505
WS3-5881-000	B - J404	XB1-2200-407	302 - 503	XB1-2400-607	211 - 501
WS3-5882-000	B - J404	XB1-2200-407	303 - 503	XB1-2400-607	230 - 501
WS3-5883-000	B - J8	XB1-2230-809	101 - 505	XB1-2400-607	260 - 501

NUMERICAL INDEX

iR C6800/5800/6870/5870 Series(Numerical Index)

PARTS NUMBER	FIGURE & KEY NO.	PARTS NUMBER	FIGURE & KEY NO.	PARTS NUMBER	FIGURE & KEY NO
XB1-2400-607	261 - 501	XB2-8400-807	355 - 502	XB4-5300-807	600 - 511
XB1-2400-607	262 - 501	XB2-8400-807	360 - 503	XB4-5300-807	621 - 502
XB1-2400-607	263 - 501	XB2-8400-807	810 - 504	XB4-5300-807	640 - 504
XB1-2400-607	264 - 501	XB2-8400-807	830 - 502	XB4-5300-807	940 - 502
XB1-2400-607	271 - 501	XB2-8400-807	980 - 502	XB4-5301-007	130 - 504
XB1-2400-607	272 - 502	XB2-8401-007	320 - 508	XB4-5301-007	600 - 504
XB1-2400-607	302 - 504	XB2-8402-007	810 - 505	XB4-5301-007	641 - 501
XB1-2400-607	303 - 504	XB2-8502-007	106 - 513	XB4-5400-806	210 - 502
XB1-2400-607	315 - 502	XB2-8502-507	105 - 507	XB4-5400-807	100 - 502
XB1-2400-607	320 - 514	XB3-6300-605	275 - 502	XB4-5400-807	130 - 503
XB1-2400-607	360 - 509	XB3-6300-605	276 - 502	XB4-5400-807	140 - 501
XB1-2400-607	510 - 501	XB3-6300-605	621 - 501	XB4-5400-807	316 - 501
XB1-2400-607	600 - 508	XB3-6300-805	106 - 507	XB4-5400-807	330 - 502
XB1-2400-607	810 - 501	XB3-6400-805	102 - 501	XB4-5400-807	621 - 503
XB1-2400-607	830 - 501	XB3-6400-805	104 - 501	XB4-5401-007	600 - 503
XB1-2400-607	910 - 502	XB3-6400-805	106 - 501	XB4-5404-007	192 - 501
XB1-2400-607	940 - 501	XB3-6400-805	110 - 503	XB4-7300-607	550 - 504
XB1-2400-607	980 - 503	XB3-6400-805	191 - 502	XB4-7300-807	101 - 504
XB1-2400-807	100 - 501	XB3-6400-805	210 - 501	XB4-7300-807	360 - 510
XB1-2400-807	110 - 502	XB3-6400-805	211 - 502	XB4-7300-807	600 - 504
XB1-2400-807	130 - 502	XB3-6400-805	230 - 502	XB4-7301-207	272 - 504
XB1-2400-807	193 - 501	XB3-6400-805	260 - 502	XB4-7303-007	194 - 501
XB1-2400-807	312 - 502	XB3-6400-805	261 - 502	XB4-7400-807	100 - 504
XB1-2400-807	320 - 501	XB3-6400-805	263 - 502	XB4-7400-807	190 - 501
XB1-2400-807	600 - 502	XB3-6400-805	264 - 502	XB4-7400-807	272 - 503
XB1-2400-807	941 - 502	XB3-6400-805	270 - 501	XB4-7400-807	311 - 504
XB1-2403-006	900 - 503	XB3-6400-805	271 - 502	XB4-7400-807	312 - 503
XB1-2403-006	900A - 503	XB3-6400-805	280 - 503	XB4-7400-807	320 - 505
XB1-2500-605	110 - 506	XB3-6400-805	282 - 501	XB4-7400-807	360 - 502
XB2-4300-807	910 - 504	XB3-6400-805	302 - 502	XB4-7401-007	100 - 505
XB2-4404-005	191 - 501	XB3-6400-805	303 - 502	XB4-7403-507	190 - 502
XB2-4404-005	193 - 502	XB3-6400-805	311 - 503	XB6-2300-408	302 - 505
XB2-4404-005	280 - 502	XB3-6400-805	320 - 503	XB6-2300-408	303 - 505
XB2-5300-607	550 - 505	XB3-6400-805	330 - 501	XB6-2400-408	537 - 505
XB2-5301-407	900 - 501	XB3-6400-805	360 - 501	XB6-2400-508	211 - 503
XB2-5301-407	900A - 501	XB3-6400-805	535 - 502	XB6-7300-407	360 - 504
XB2-7400-607	106 - 503	XB3-6401-005	100 - 503	XB6-7300-407	640 - 505
XB2-7400-607	110 - 505	XB3-6401-005	101 - 507	XB6-7300-605	280 - 501
XB2-7400-607	640 - 503	XB3-6401-005	103 - 504	XB6-7300-607	106 - 512
XB2-7400-607	980 - 501	XB3-6401-005	105 - 503	XB6-7300-607	110 - 504
XB2-8300-607	317 - 502	XB3-6401-005	106 - 509	XB6-7300-607	130 - 501
XB2-8300-607	420 - 501	XB3-6401-005	107 - 502	XB6-7300-607	211 - 506
XB2-8300-607	430 - 502	XB3-6401-005	108 - 501	XB6-7300-607	320 - 506
XB2-8300-607	600 - 509	XB3-6401-005	900 - 505	XB6-7300-607	325 - 501
XB2-8300-607	640 - 502	XB3-6401-005	900A - 505	XB6-7300-607	355 - 503
XB2-8300-607	810 - 502	XB3-6401-205	105 - 501	XB6-7300-607	900 - 504
XB2-8300-807	360 - 512	XB4-5300-807	105 - 502	XB6-7300-607	900A - 504
XB2-8300-807	537 - 514	XB4-5300-807	315 - 503	XB6-7300-607	910 - 503
XB2-8300-807	810 - 503	XB4-5300-807	325 - 502	XB6-7300-607	930 - 501
XB2-8301-007	537 - 503	XB4-5300-807	530 - 502	XB6-7400-407	810 - 510
XB2-8301-007	810 - 509	XB4-5300-807	537 - 504	XB6-7401-007	101 - 506
XB2-8400-607	320 - 515	XB4-5300-807	538 - 504	XB6-7401-007	103 - 502

NUMERICAL INDEX

iR C6800/5800/6870/5870 Series(Numerical Index)

PARTS NUMBER	FIGURE & KEY NO.	PARTS NUMBER	FIGURE & KEY NO.	PARTS NUMBER	FIGURE & KEY NO
XB6-7401-007	106 - 510	XD2-1100-502	375 - 503	XD3-1200-122	311 - 509
XB6-7401-207	510 - 502	XD2-1100-502	535 - 503	XD3-1200-122	312 - 509
XB6-7403-007	107 - 504	XD2-1100-502	537 - 508	XD3-1250-142	311 - 510
XB6-7403-007	910 - 501	XD2-1100-502	538 - 505	XD3-1250-142	312 - 510
XB7-2100-407	211 - 504	XD2-1100-502	600 - 506	XD3-1300-102	311 - 502
XD1-1103-129	621 - 508	XD2-1100-502	621 - 505	XD3-1300-102	312 - 513
XD1-1103-137	640 - 506	XD2-1100-502	810 - 507	XD3-1300-102	360 - 514
XD1-1104-135	106 - 502	XD2-1100-502	830 - 505	XD3-1300-102	537 - 513
XD1-1104-635	105 - 504	XD2-1100-642	102 - 504	XD3-1300-102	600 - 514
XD1-1105-735	537 - 506	XD2-1100-642	104 - 502	XD3-1300-102	680 - 503
XD1-1106-235	282 - 502	XD2-1100-642	211 - 505	XD3-1300-142	830 - 506
XD1-1106-238	316 - 502	XD2-1100-642	230 - 503	XD3-1300-202	320 - 504
XD1-1108-225	270 - 507	XD2-1100-642	260 - 503	XD3-2200-082	317 - 505
XD1-1110-225	320 - 507	XD2-1100-642	261 - 503	XD3-2200-082	355 - 507
XD1-1206-235	375 - 502	XD2-1100-642	262 - 502	XD3-2200-102	102 - 505
XD1-3100-805	108 - 502	XD2-1100-642	263 - 503	XD3-2200-102	230 - 504
XD1-4200-402	110 - 507	XD2-1100-642	264 - 503	XD3-2200-102	260 - 504
XD1-4200-502	110 - 507	XD2-1100-642	270 - 505	XD3-2200-102	264 - 504
XD2-1100-242	101 - 501	XD2-1100-642	271 - 503	XD3-2200-102	282 - 505
XD2-1100-242	102 - 502	XD2-1100-642	275 - 505	XD3-2200-102	810 - 508
XD2-1100-242	107 - 503	XD2-1100-642	276 - 503	XD3-2200-122	270 - 506
XD2-1100-242	312 - 506	XD2-1100-642	280 - 506	XD3-2200-122	275 - 506
XD2-1100-242	810 - 512	XD2-1100-642	282 - 504	XD3-2200-122	302 - 506
XD2-1100-322	101 - 503	XD2-1100-642	302 - 501	XD3-2200-122	303 - 506
XD2-1100-322	105 - 505	XD2-1100-642	303 - 501	XD3-2200-122	320 - 511
XD2-1100-322	270 - 503	XD2-1100-642	311 - 508	XD3-2200-122	360 - 508
XD2-1100-322	275 - 503	XD2-1100-642	312 - 508	XD3-2200-122	640 - 510
XD2-1100-322	280 - 504	XD2-1100-642	317 - 504	XD3-2200-122	830 - 507
XD2-1100-322	355 - 504	XD2-1100-642	320 - 510	XD3-2200-142	102 - 506
XD2-1100-322	360 - 511	XD2-1100-642	325 - 503	XD3-2200-142	260 - 505
XD2-1100-322	537 - 507	XD2-1100-642	330 - 503	XD3-2200-142	261 - 504
XD2-1100-322	538 - 503	XD2-1100-642	350 - 503	XD3-2200-142	262 - 503
XD2-1100-322	600 - 505	XD2-1100-642	355 - 506	XD3-2200-142	263 - 504
XD2-1100-322	621 - 504	XD2-1100-642	360 - 507	XD3-2200-142	264 - 505
XD2-1100-322	640 - 511	XD2-1100-642	430 - 503	XD3-2200-142	276 - 504
XD2-1100-322	830 - 503	XD2-1100-642	537 - 502	XD3-2200-142	315 - 505
XD2-1100-402	360 - 505	XD2-1100-642	537 - 516	XD3-2200-142	317 - 506
XD2-1100-402	621 - 506	XD2-1100-642	538 - 502	XD3-2200-142	320 - 512
XD2-1100-502	270 - 504	XD2-1100-642	600 - 512	XD3-2200-142	325 - 504
XD2-1100-502	275 - 504	XD2-1100-642	640 - 508	XD3-2200-162	262 - 504
XD2-1100-502	280 - 505	XD2-1100-642	775 - 501	XD3-2200-162	263 - 505
XD2-1100-502	282 - 503	XD2-1100-642	810 - 506	XD3-2200-162	270 - 508
XD2-1100-502	290 - 502	XD2-1100-642	830 - 504	XD3-2200-162	282 - 506
XD2-1100-502	311 - 507	XD2-1100-802	330 - 504	XD3-2200-162	320 - 513
XD2-1100-502	312 - 507	XD2-1100-802	537 - 509	XD3-2200-162	360 - 515
XD2-1100-502	315 - 504	XD2-2100-302	621 - 507	XD3-2200-162	537 - 510
XD2-1100-502	317 - 503	XD2-2100-502	640 - 507	XD3-2200-182	270 - 502
XD2-1100-502	320 - 509	XD2-2100-802	640 - 509	XD3-2200-182	330 - 505
XD2-1100-502	330 - 506	XD2-2300-402	537 - 512	XD3-2200-182	775 - 502
XD2-1100-502	350 - 502	XD2-2300-402	600 - 507	XD3-2200-202	282 - 507
XD2-1100-502	355 - 505	XD2-2300-602	600 - 510	XD3-2300-122	264 - 506
XD2-1100-502	360 - 506	XD2-3100-152	106 - 506	XD3-2300-122	315 - 506

NUMERICAL INDEX

iR C6800/5800/6870/5870 Series(Numerical Index)

PARTS NUMBER	FIGURE & KEY NO.	PARTS NUMBER	FIGURE & KEY NO.	PARTS NUMBER	FIGURE & KEY NO.
XD3-2300-142	260 - 506				
XD3-2300-142	311 - 511				
XD3-2300-142	312 - 511				
XD9-0169-000	271 - 11				
XF2-1612-440	230 - 8				
XF2-4110-632	320 - 39				
XF2-4111-040	317 - 18				
XF2-4113-040	280 - 13				
XF2-4118-640	106 - 14				
XF2-4307-540	275 - 16				
XF2-4610-840	211 - 14				
XG9-0111-000	621 - 29				
XG9-0192-000	360 - 24				
XG9-0208-000	270 - 22				
XG9-0211-000	640 - 33				
XG9-0250-000	270 - 23				
XG9-0337-000	355 - 43				
XG9-0407-000	260 - 7				
XG9-0407-000	270 - 24				
XG9-0407-000	355 - 44				
XG9-0421-000	810 - 33				
XG9-0423-000	375 - 24				
XG9-0443-000	810 - 49				
XG9-0491-000	600 - 45				
XG9-0491-000	640 - 34				
XG9-0492-000	260 - 13				
XG9-0492-000	282 - 9				
XG9-0504-000	537 - 42				
XG9-0505-000	537 - 43				
XG9-0506-000	537 - 6				
XG9-0506-000	537 - 59				
XG9-0507-000	317 - 19				
XG9-0507-000	325 - 17				
XG9-0508-000	211 - 15				
XG9-0508-000	282 - 10				
XG9-0508-000	320 - 40				
XG9-0510-000	810 - 17				
XG9-0518-000	600 - 36				
XG9-0520-000	330 - 12				
XH9-0082-000	302 - 28				
XH9-0082-000	303 - 28				
XH9-0132-000	900 - 5				
XH9-0132-000	900A - 5				
XZ1-1301-005	900 - 502				
XZ1-1301-005	900A - 502				
XZ9-0409-020	108 - 3				
XZ9-0494-000	108 - 2				
XZ9-0563-000	621 - 44				
XZ9-0603-000	621 - 45				

iR C6800/5800/6870/5870 Series(Parts Catalog)

iR C5800

100V 50/60Hz	F14-7211-000	KEL00001-
120V 60Hz	F14-7231-000	KEM00001-
230V 50Hz	F14-7241-000	KEP00001-
230V 50Hz	F14-7261-000	KEQ00001-
230V 50Hz	F14-7291-000	KEN00001-

iR C5800N

100V 50/60Hz	F14-7212-000	KER00001-
120V 60Hz	F14-7242-000	KET00001-
230V 50Hz	F14-7292-000	KES00001-

iR C6800

100V 50/60Hz	F14-4011-000	JHS00001-
120V 60Hz	F14-4031-000	JKK00001-
230V 50Hz	F14-4041-000	JKL00001-
230V 50Hz	F14-4061-000	JKM00001-

iR 6800C

230V 50Hz	F14-4091-000	JKN00001-
------------------	---------------------	------------------

iR C6800N

100V 50/60Hz	F14-4012-000	JHT00001-
---------------------	---------------------	------------------

230V 50Hz	F14-4042-000	JKS00001-
-----------	--------------	-----------

iR 6800CN

230V 50Hz	F14-4092-000	JKU00001-
-----------	--------------	-----------

iR C6870

100V	F14-4016-000	SJL
------	--------------	-----

120V	F14-4036-000	SJN
------	--------------	-----

230V EUR	F14-4096-000	SJP
----------	--------------	-----

iR C6870N

100V	F14-4017-000	SJS
------	--------------	-----

iR C6870i

230V	F14-4047-000	SJU
------	--------------	-----

230V KR	F14-4077-000	SJV00001-
---------	--------------	-----------

230V EUR	F14-4097-000	SJS
----------	--------------	-----

iR C5870

100V	F14-4018-000	SJW
------	--------------	-----

230V EUR	F14-4068-000	SJZ
----------	--------------	-----

230V EUR	F14-4098-000	SJZ
----------	--------------	-----

iR C5870U

120V	F14-4038-000	SJY
------	--------------	-----

iR C5870N

100V **F14-4019-000** **SKD**

iR C5870i

230V **F14-4049-000** **SKF**

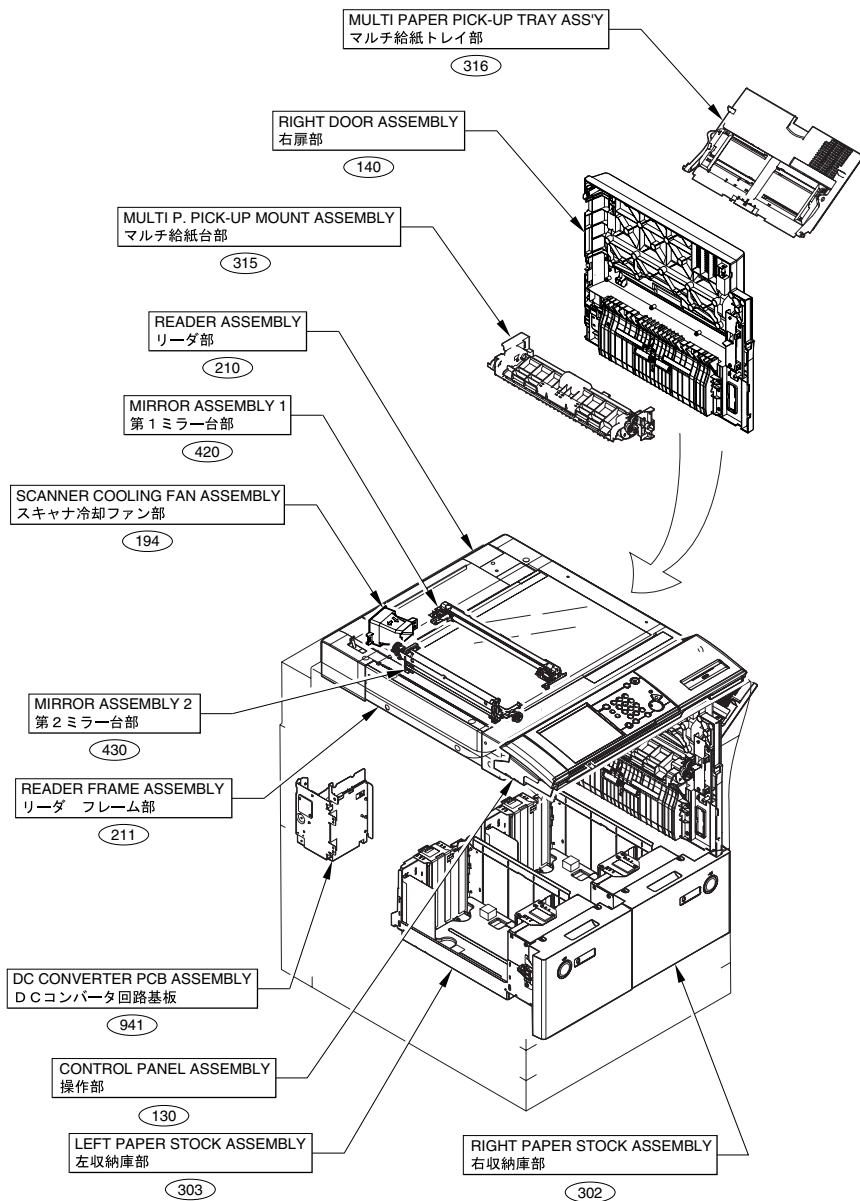
230V EUR **F14-4099-000** **SKE**

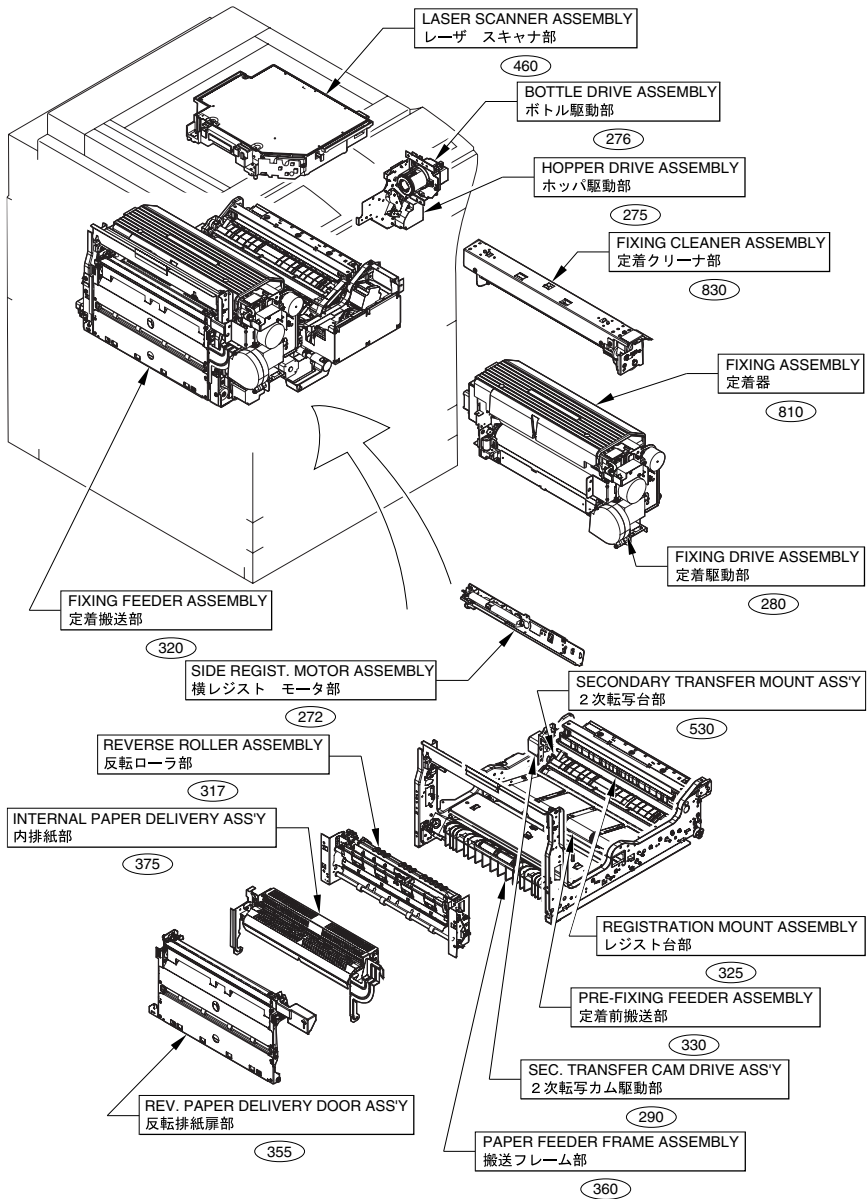
Contents

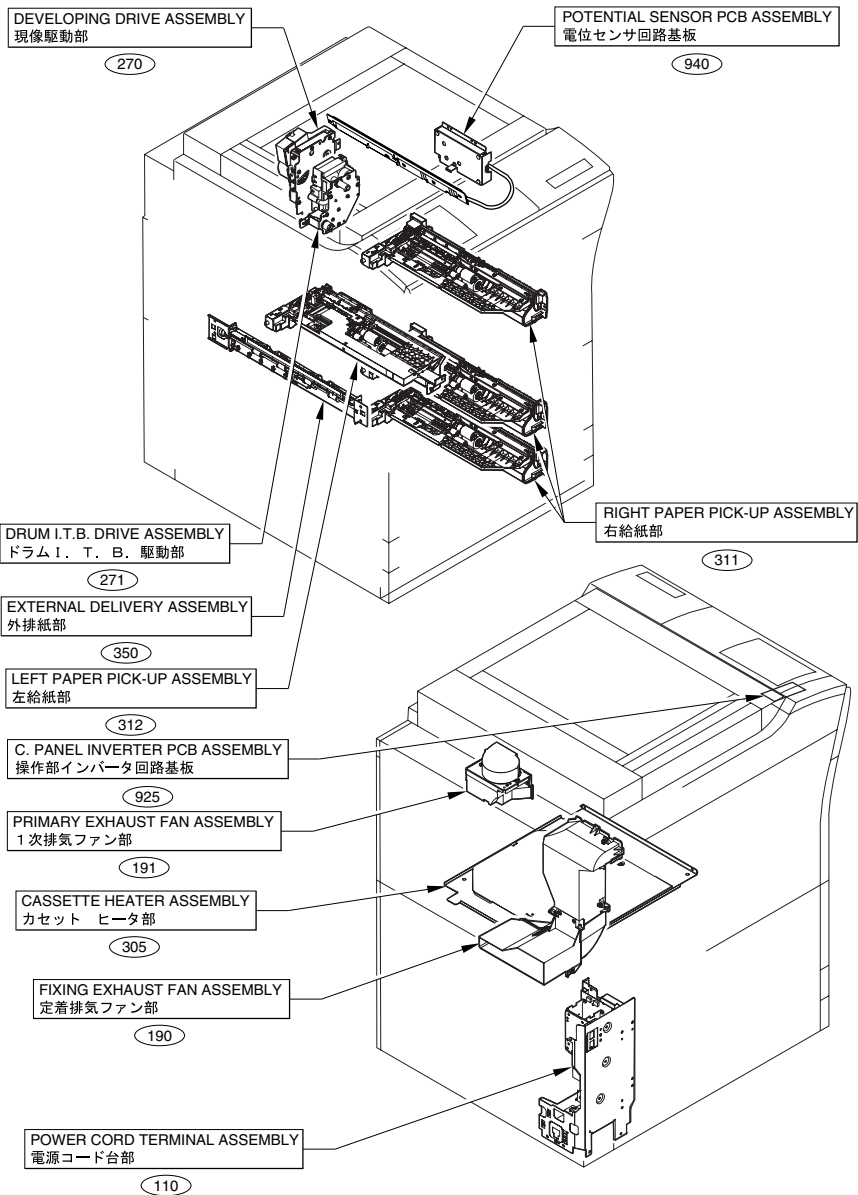
A	ASSEMBLY LOCATION DIAGRAM	2-1
001	ADF ACCESSORY	2-9
002	CASSETTE ACCESSORY	2-10
003	CD - ROM 付属品	2-11
100	EXTERNAL COVERS, PANELS, ETC.	2-13
101	MACHINE FRONT PLATE	2-17
102	INTERNAL COMPONENTS 1	2-20
103	INTERNAL COMPONENTS 2	2-22
104	INTERNAL COMPONENTS 3	2-24
105	INTERNAL COMPONENTS 4	2-27
106	MACHINE REAR PLATE 1	2-30
107	MACHINE REAR PLATE 2	2-33
108	MACHINE BOTTOM PLATE	2-35
110	POWER CORD TERMINAL ASSEMBLY	2-36
130	CONTROL PANEL ASSEMBLY	2-39
140	RIGHT DOOR ASSEMBLY	2-42
190	FIXING EXHAUST FAN ASSEMBLY	2-44
191	PRIMARY EXHAUST FAN ASSEMBLY	2-45
192	TRANSFER CLEANER COOLING FAN ASS'Y	2-46
193	DELIVERY COOLING FAN ASSEMBLY	2-47
194	SCANNER COOLING FAN ASSEMBLY	2-48
210	READER ASSEMBLY	2-49
211	READER FRAME ASSEMBLY	2-52
230	VERTICAL PATH DRIVE ASSEMBLY	2-56
260	EXTERNAL DELIVERY DRIVE ASSEMBLY	2-58
261	CASSETTE PICK-UP DRIVE ASSEMBLY	2-60
262	LEFT PICK-UP DRIVE ASSEMBLY	2-62
263	RIGHT PICK-UP DRIVE ASSEMBLY	2-63
264	MULTI PRE-REG. DRIVE ASSEMBLY	2-65
270	DEVELOPING DRIVE ASSEMBLY	2-67
271	DRUM I.T.B. DRIVE ASSEMBLY	2-70
272	SIDE REGIST. MOTOR ASSEMBLY	2-72
275	HOPPER DRIVE ASSEMBLY	2-74
276	BOTTLE DRIVE ASSEMBLY	2-76
280	FIXING DRIVE ASSEMBLY	2-77
282	WASTE TONER DRIVE ASSEMBLY	2-79
290	SEC. TRANSFER CAM DRIVE ASS'Y	2-81
302	RIGHT PAPER STOCK ASSEMBLY	2-82
303	LEFT PAPER STOCK ASSEMBLY	2-85
305	CASSETTE HEATER ASSEMBLY	2-88
311	RIGHT PAPER PICK-UP ASSEMBLY	2-89
312	LEFT PAPER PICK-UP ASSEMBLY	2-92
315	MULTI P. PICK-UP MOUNT ASSEMBLY	2-95
316	MULTI PAPER PICK-UP TRAY ASSEMBLY	2-98
317	REVERSE ROLLER ASSEMBLY	2-100

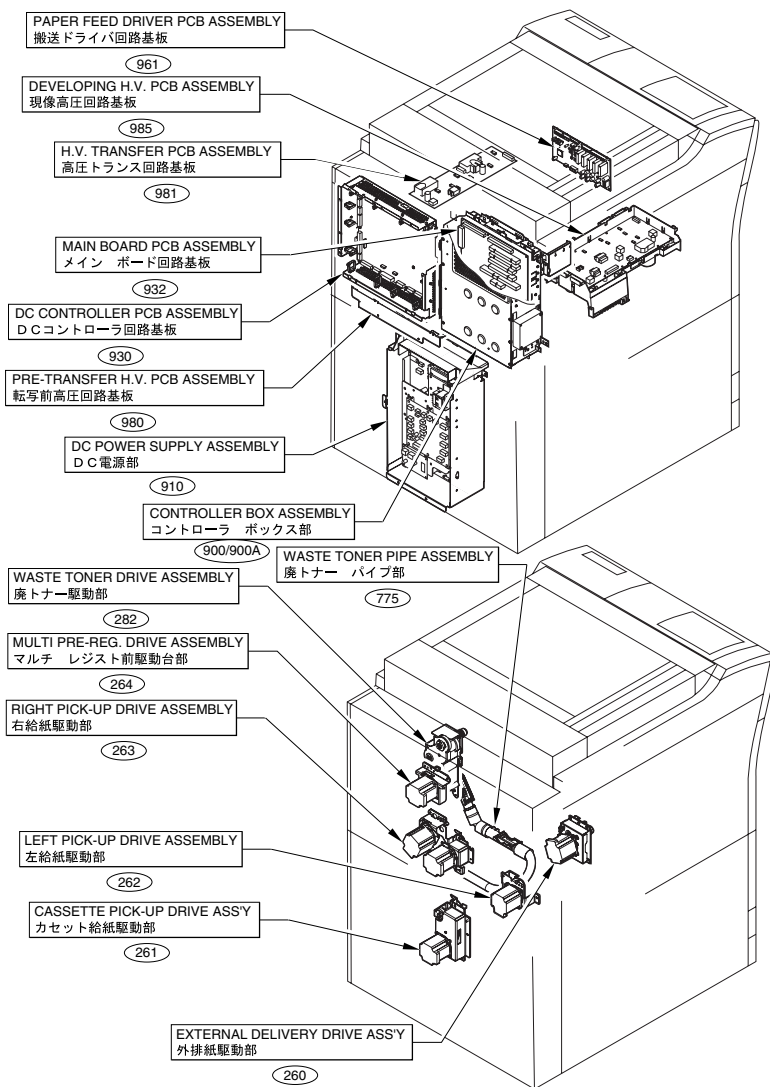
320	FIXING FEEDER ASSEMBLY	2-102
325	REGISTRATION MOUNT ASSEMBLY	2-107
330	PRE-FIXING FEEDER ASSEMBLY	2-109
350	EXTERNAL DELIVERY ASSEMBLY	2-111
355	REV. PAPER DELIVERY DOOR ASSEMBLY	2-113
360	PAPER FEEDER FRAME ASSEMBLY	2-117
375	INTERNAL PAPER DELIVERY ASS'Y	2-122
420	MIRROR ASSEMBLY 1	2-125
430	MIRROR ASSEMBLY 2	2-126
460	LASER SCANNER ASSEMBLY	2-127
510	PHOTO-SENSITIVE DRUM ASSEMBLY	2-128
530	SECONDARY TRANSFER MOUNT ASS'Y	2-130
535	I.T.B. POSITIONING ASSEMBLY	2-132
537	INTERMED. TRANSFER BELT ASS'Y	2-134
538	TRANSFER CLEANER ASSEMBLY	2-139
550	PRIMARY CORONA ASSEMBLY	2-141
570	PRE-TRANSFER CORONA ASSEMBLY	2-143
600	AP KIT ASSEMBLY	2-145
621	HOPPER ASSEMBLY (BK)	2-153
640	DEVELOPING ASSEMBLY (BK)	2-156
641	DEVELOPING ASSEMBLY(M/C/Y)	2-159
680	ATR SENSOR ASSEMBLY	2-160
775	WASTE TONER PIPE ASSEMBLY	2-161
810	FIXING ASSEMBLY	2-163
830	FIXING CLEANER ASSEMBLY	2-170
900	CONTROLLER BOX ASSEMBLY(IR C6800/5800 Series)	2-172
900A	CONTROLLER BOX ASSEMBLY(IR C6870/5870 Series)	2-175
910	DC POWER SUPPLY ASSEMBLY	2-177
925	CONTROL PANEL INVERTER PCB ASSEMBLY	2-179
930	DC CONTROLLER PCB ASSEMBLY	2-180
932	MAIN CONTROLLER MAIN PCB ASSEMBLY	2-182
935	READER CONTROLLER PCB ASSEMBLY	2-183
940	POTENTIAL SENSOR PCB ASSEMBLY	2-184
941	DC DC CONVERTER PCB ASSEMBLY 1	2-185
961	FIXING FEEDING DRIVER PCB ASSEMBLY	2-186
980	HVT1 PCB ASSEMBLY	2-187
981	HVT3 PCB ASSEMBLY	2-188
985	HVT2 PCB ASSEMBLY	2-189
B	LIST OF CONNECTORS	2-190

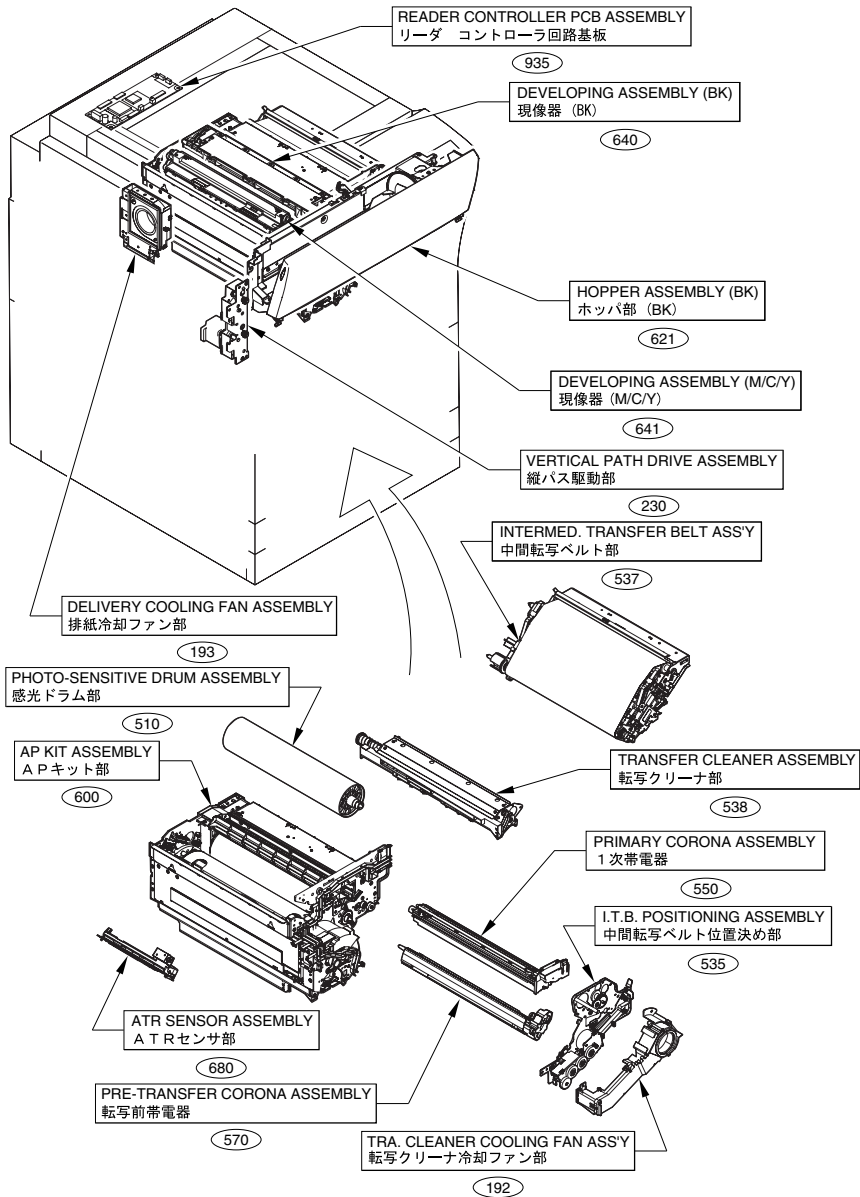
FIGURE A ASSEMBLY LOCATION DIAGRAM



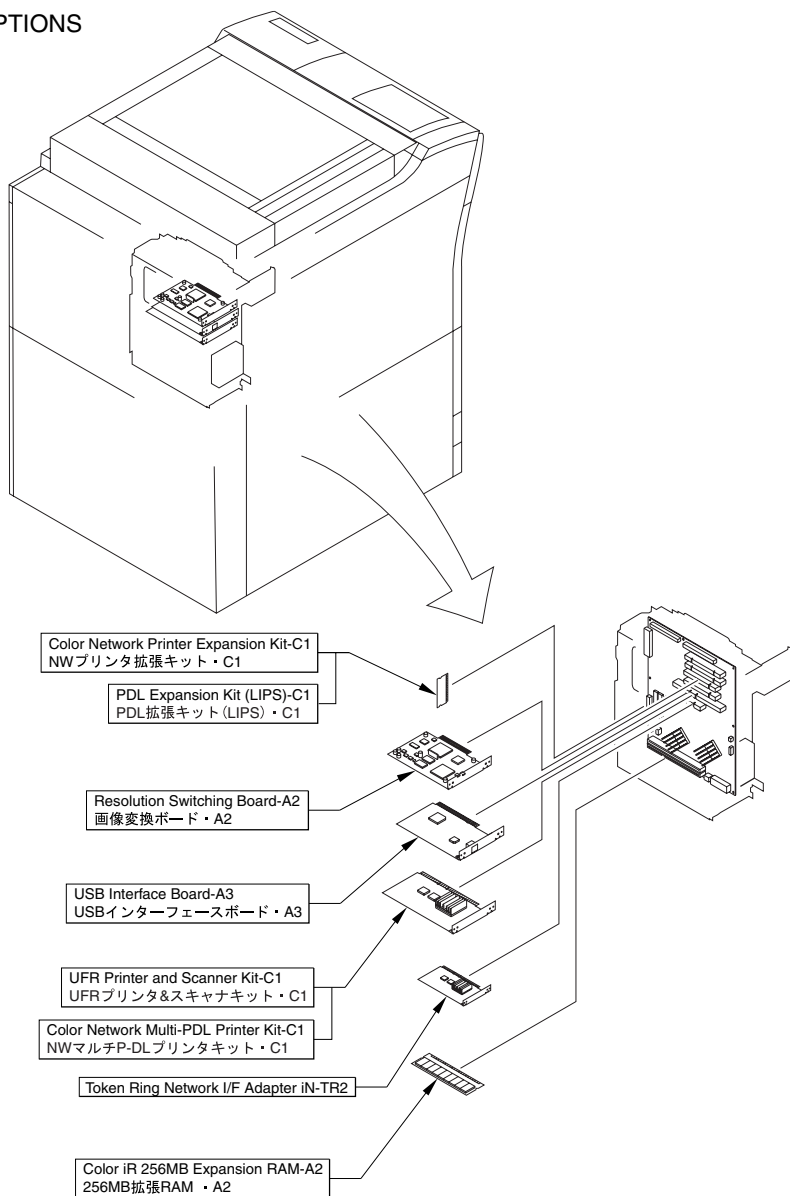




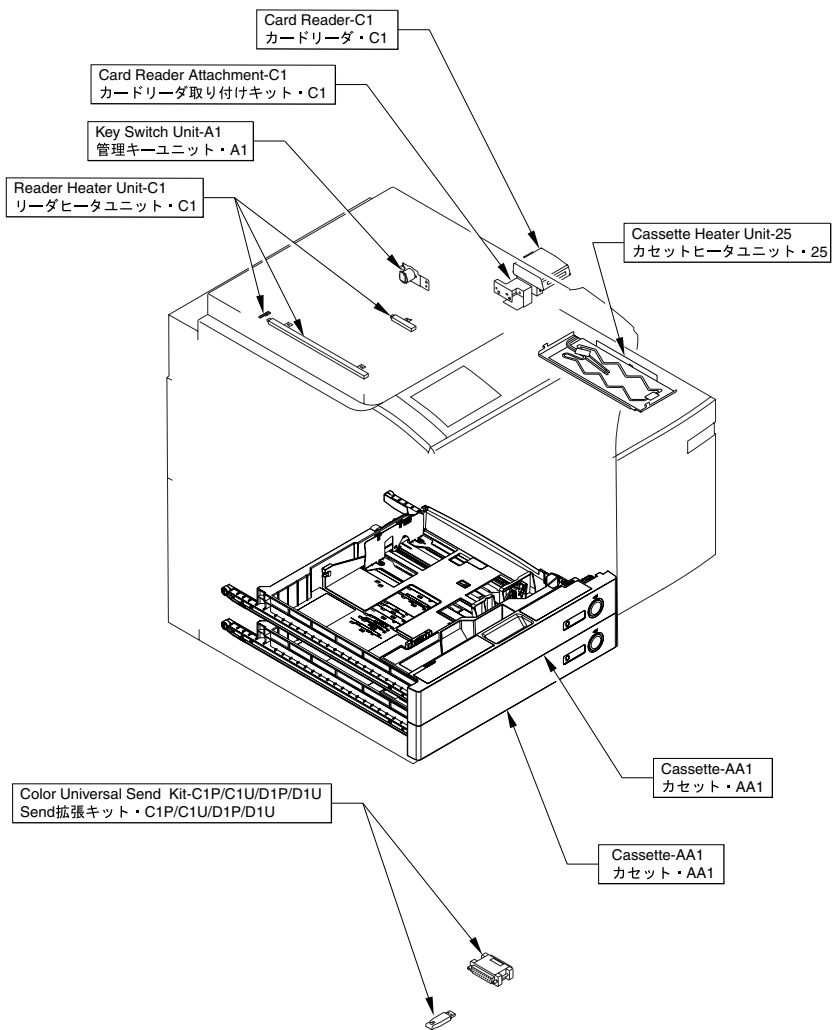




OPTIONS



OPTIONS



OPTIONS

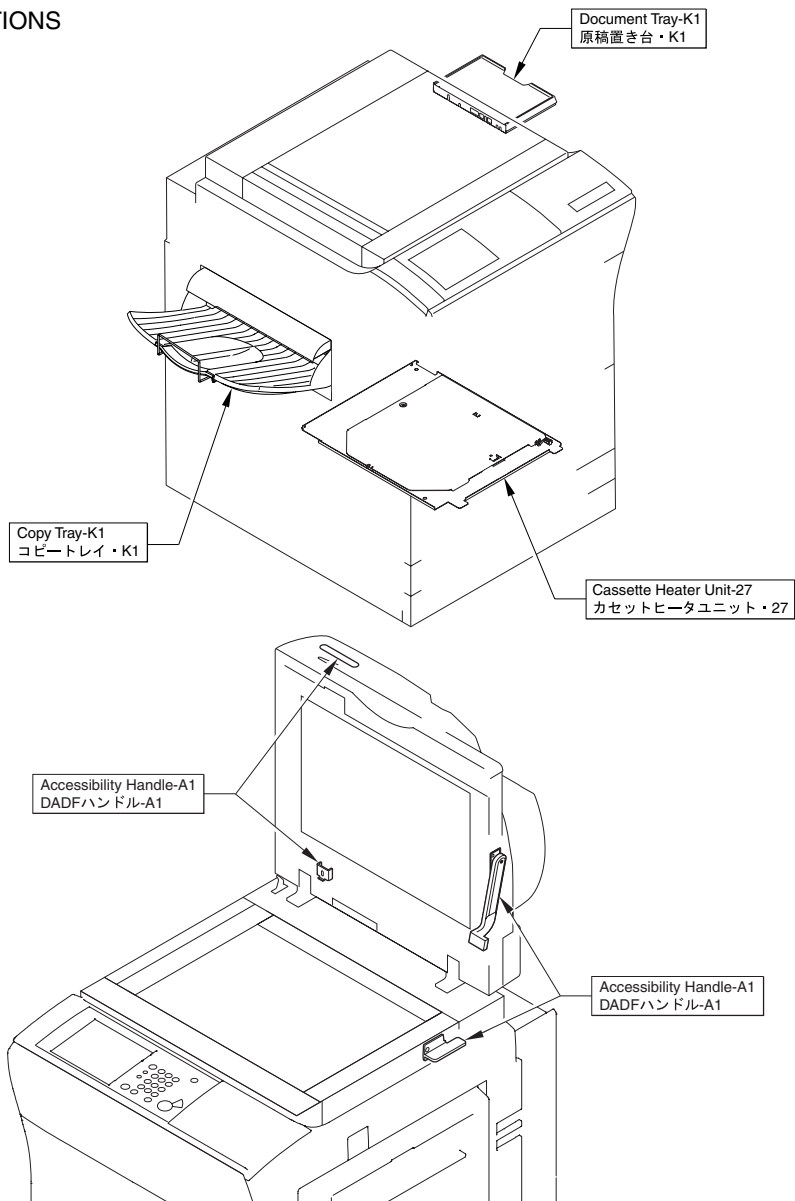


FIGURE 001 ADF ACCESSORY

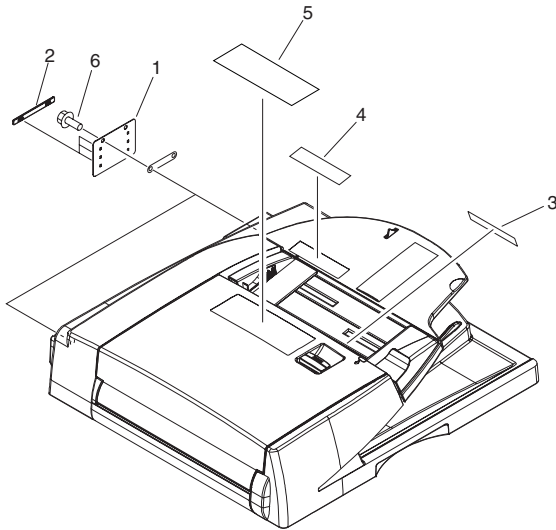


FIGURE & KEY NO.	PARTS NUMBER	RANK	Q'TY	DESCRIPTION	SERIAL NUMBER/REMARKS	SVC
Fig.001	NPN		RF	ADF ACCESSORY		
1	FC5-3207-000		2	COVER, HINGE		
2	FC5-3223-000		6	PLATE, HINGE COVER		
3	FC5-3060-000		1	LABEL, DOCUMENT SIZE		
4	FC5-3050-000		1	LABEL, SIZE	AB SIZE	
4	FC5-3051-000		1	LABEL, SIZE	INCH/A SIZE	
4	FC5-3053-000		1	LABEL, SIZE	INCH/AB SIZE	
4	FC5-3052-000		1	LABEL, SIZE	A SIZE	
5	FC5-3055-000		1	LABEL, PROHIBITION DOCUMENT	AB SIZE	
5	FC5-3056-000		1	LABEL, PROHIBITION DOCUMENT	INCH/AB SIZE	
5	FC5-3057-000		1	LABEL, PROHIBITION DOCUMENT	A SIZE	
6	XA9-0874-000		4	SCREW,M3X8		

FIGURE 002 CASSETTE ACCESSORY

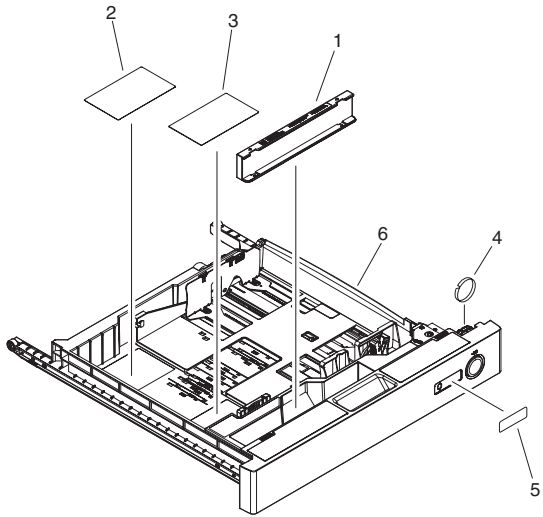


FIGURE & KEY NO.	PARTS NUMBER	R A N K	Q'TY	DESCRIPTION	SERIAL NUMBER/ REMARKS	S V C
Fig.002	NPN		RF	CASSETTE ACCESSORY		
1	FL2-0565-000		1	PLATE, TAB BACK END LIMIT		
2	FU5-8094-000		1	LABEL, TAB PAPER SET, 1		
3	FU5-8095-000		1	LABEL, TAB PAPER SET, 2		
4	FU5-8092-000		1	LABEL, DIAL		
5	FU5-8093-000		2	LABEL, PAPER SIZE		
6	FM2-0541-020		1	CASSETTE	EXCEPT KR	
6	FM2-3882-010		2	CASSETTE	KR	

FIGURE 003

CD - ROM 付属品

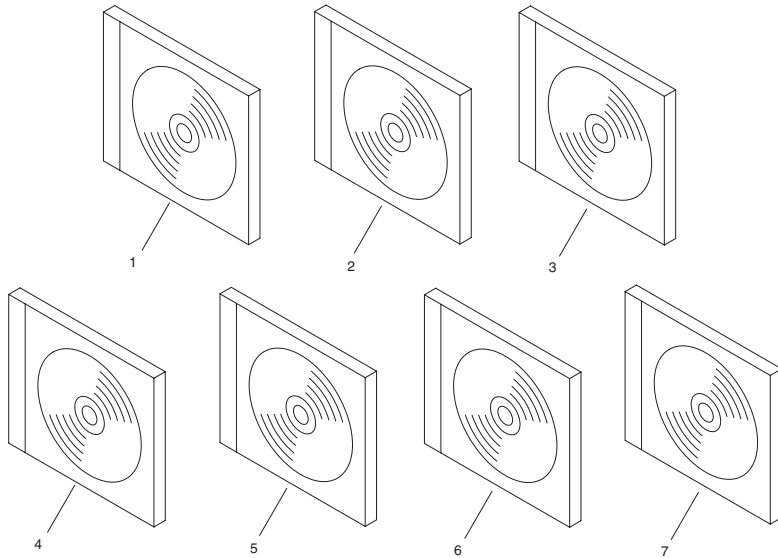


FIGURE & KEY NO.	PARTS NUMBER	RANK	QTY	DESCRIPTION	SERIAL NUMBER/REMARKS	SVC
Fig.003	NPN		RF	CD-ROM ACCESSORY		
1	FH5-3519-000		1	CD-ROM, BDL SOFTWARE	IR C5800N Japanese	
1	FH5-3511-000		1	CD-ROM, BDL SOFTWARE	IR C6800N Japanese	
2	FH5-3512-000		1	CD-ROM, UFR/PS/PCL SOFTWARE	IR C6800N EUR	
2	FH5-3513-000		1	CD-ROM, UFR/PS/PCL SOFTWARE	IR C6800N EUR	
2	FH5-3514-000		1	CD-ROM, UFR/PS/PCL SOFTWARE	IR C6800N EUR	
3	FH5-3524-000		1	CD-ROM, UFR/UTILITY SOFTWARE	IR C5800N KET	
3	FH5-3515-000		1	CD-ROM, UFR/UTILITY SOFTWARE	IR C6800N JKM	
4	FK2-2752-000		1	CD-ROM, UFR USER SOFTWARE	IR C6870/5870Series EXCEPT Japanese	
4	FK2-2751-000		1	CD-ROM, UFR USER SOFTWARE	IR C6870/5870Series Japanese	
5	FK2-2730-000		1	CD-ROM, BDL SOFTWARE	IR C6870N/5870N Japanese	
5	FK2-2736-000		1	CD-ROM, BDL SOFTWARE	IR C6870i SJU,IR C5870i SKF	
6	FK2-2742-000		1	CD-ROM, UFR II/PS/PCL SOFTWARE	IR C6870i/5870i English	

FIGURE & KEY NO.	PARTS NUMBER	RANK	Q'TY	DESCRIPTION	SERIAL NUMBER/REMARKS	SVC
6	FK2-2743-000		1	CD-ROM, UFR II/PS/PCL SOFTWARE	IR C6870i/5870i French/Spanish	
6	FK2-2744-000		1	CD-ROM, UFR II/PS/PCL SOFTWARE	IR C6870i/5870i German/Italian	
7	FK2-2745-000		1	CD-ROM, UTILITY SOFTWARE	IR C6870i/5870i English	
7	FK2-2746-000		1	CD-ROM, UTILITY SOFTWARE	IR C6870i/5870i French/Spanish	
7	FK2-2747-000		1	CD-ROM, UTILITY SOFTWARE	IR C6870i/5870i German/Italian	

FIGURE 100 EXTERNAL COVERS, PANELS, ETC.

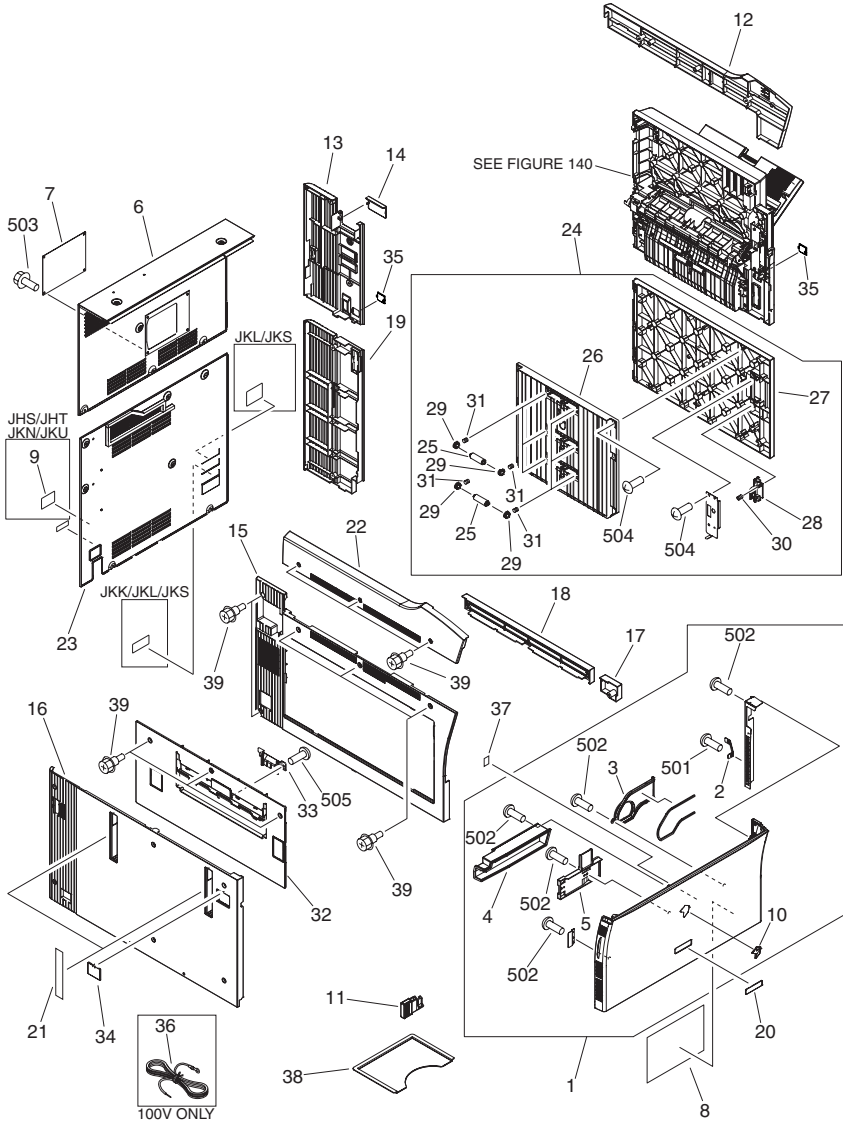


FIGURE & KEY NO.	PARTS NUMBER	RANK	Q'TY	DESCRIPTION	SERIAL NUMBER/REMARKS	SVC
Fig.100	NPN		RF	EXTERNAL COVERS, PANELS, ETC.		
1	FM2-0418-000		1	PANEL, FRONT	EXCEPT iR C6870i KR	
1	FM2-3883-000		1	PANEL, FRONT	iR C6870i KR	
2	FB2-7551-000		1	TAPE, SUPPORT		
3	FL2-1154-000		1	DUCT, FRONT, 1		
4	FL2-1155-000		1	DUCT, FRONT, 2		
5	FL2-1156-000		1	SUPPORT, RETAINING		
6	FC5-2450-000		1	PANEL, REAR UPPER		
7	FC5-2452-000		1	COVER, BLANKING, REAR		
8	FL2-1398-000		1	LABEL SERVICE		
9	FU5-8560-000		1	LABEL, GROUNDING	JKN/JKU	
9	FU5-8104-000		1	LABEL, GROUNDING CAUTION	JHS/JHT	
10	FC5-0459-000		1	EMBLEM, IMAGERUNNER		
11	FC5-6209-000		1	HANDLE, BOTTLE EXCHANGE		
12	FC5-1628-000		1	PANEL, UPPER, RIGHT		
13	FC5-2192-000		1	PANEL, RIGHT REAR		
14	FC5-2193-000		1	COVER, FAN DUCT		
15	FC5-2274-000		1	PANEL, MAIN BODY LEFT UPPER	iR C6800/5800 Series	
15	FC7-0381-000		1	PANEL, MAIN BODY LEFT UPPER	iR C6870/5870 Series	
16	FC5-2659-000		1	PANEL, LEFT LOWER		
17	FC5-2723-000		1	COVER, RIGHT LOWER, FRONT		
18	FC5-2724-000		1	PANEL, RIGHT LOWER, MIDDLE		
19	FC5-2725-020		1	PANEL, RIGHT LOWER, REAR		
20	FC5-6217-000		1	PLATE, NAME	iR C6800 100V/230V	
20	FC5-6302-000		1	PLATE, NAME	iR C6800N	
20	FC5-6303-000		1	PLATE, NAME	iR C6800 120V	
20	FC5-6304-000		1	PLATE, NAME	iR 6800C	
20	FC5-6305-000		1	PLATE, NAME	iR 6800CN	
20	FC6-4764-000		1	PLATE, NAME	iR C5800	
20	FC6-4765-000		1	PLATE, NAME	iR C5800N	
20	FC7-0385-000		1	PLATE, NAME	iR C6870 100V,C6870 AU	
20	FC7-0386-000		1	PLATE, NAME	iR C6870N 100V	

FIGURE & KEY NO.	PARTS NUMBER	R A N K	Q'TY	DESCRIPTION	SERIAL NUMBER/ REMARKS	S V C
20	FC7-0387-000		1	PLATE, NAME	IR C5870 100V,C5870 AU	
20	FC7-0388-000		1	PLATE, NAME	IR C5870N 100V	
20	FC7-0389-000		1	PLATE, NAME	IR C6870U 120V	
20	FC7-0390-000		1	PLATE, NAME	IR C5870U 120V	
20	FC7-0391-000		1	PLATE, NAME	IR C6870 EUR	
20	FC7-0392-000		1	PLATE, NAME	IR C6870i EUR	
20	FC7-0394-000		1	PLATE, NAME	IR C5870i EUR	
20	FC7-0395-000		1	PLATE, NAME	IR C6870i 230VEXCEPT EUR	
20	FC7-0396-000		1	PLATE, NAME	IR C5870i 230VEXCEPT EUR	
21	FC5-2720-000		2	COVER, HANDLE, B		
22	FL2-1407-000		1	PANEL, UPPER, LEFT		
23	FL2-0539-000		1	PANEL, REAR LOWER		
24	FM2-0575-000		1	VERTICAL PATH DOOR ASSEMBLY		
25	FB6-3313-000		6	ROLLER, PAPER FEED		
26	FC5-2705-000		1	GUIDE, VERT. PATH PAPER FEED		
27	FC5-2706-000		1	DOOR, VERTICAL PATH		
28	FC5-2719-000		1	HANDLE, RIGHT DOOR		
29	FS5-1595-000		12	BLOCK, ROLLER		
30	FS6-2826-000		1	SPRING, COMPRESSION		
31	FU6-2924-000		12	SPRING, COMPRESSION		
32	FC5-5095-000		1	PANEL, DELIVERY		
33	FL2-1184-000		1	DUCT, DELIVERY FAN, LOWER		
34	FC5-2652-000		1	COVER, SIDE REGIST. ADJUST, L.		
35	FC5-2194-000		2	COVER, HANDLE		
36	FK2-0157-000		1	CABLE, GROUNDING	100V ONLY	
37	FU5-8106-000		1	LABEL, WIRE HEIGHT		
38	FC5-1146-000		1	HOLDER, SERVICE BOOK		
39	FS5-9217-010		11	SCREW, STEPPED, M4		
501	XB1-2400-807		AR	SCREW,MACH.,TRUSS HEAD,M4X8		
502	XB4-5400-807		AR	SCREW,P,M4X8		
503	XB3-6401-005		AR	SCREW,RS,M4X10		

FIGURE & KEY NO.	PARTS NUMBER	R A N K	Q'TY	DESCRIPTION	SERIAL NUMBER/ REMARKS	S V C
504	XB4-7400-807		AR	SCREW,TAPPING,TRUSS HEAD.M4X8		
505	XB4-7401-007		AR	SCREW,TAPPING,TRUSS HEAD.M4X10		

FIGURE & KEY NO.	PARTS NUMBER	R A N K	Q'TY	DESCRIPTION	SERIAL NUMBER/ REMARKS	S V C
Fig.101	NPN		RF	MACHINE FRONT PLATE		
1	FC5-2682-000		1	GUIDE, DECK		
2	VS1-7177-004		1	CONNECTOR, SNAP TIGHT, BK	J409	
3	VS1-7164-036		1	CONNECTOR, SNAP TIGHT, 36P, W	J2116	
4	FB2-7866-000		1	PLATE, HINGE STOP		
5	FB2-7867-020		1	SHAFT, HINGE		
6	FC5-1774-000		1	RETAINER, DRUM		
7	VS1-7177-003		3	CONNECTOR, SNAP TIGHT, BK	J410,445,556	
8	FC5-2459-000		1	DUCT, EXHAUST		
9	FC5-2572-000		1	COVER, RIGHT LOWER INTERNAL		
10	FL2-1372-010		1	COVER, AP KIT FRONT, LARGE		
11	FM2-0900-000		1	CABLE, CONTROL PANEL	J1212,2116	
12	FC5-2733-000		1	PLATE, GROUNDING		
13	FC5-6237-000		2	SHAFT, HINGE		
14	FC5-2430-000		1	MOUNT, ENVIRONMENT SENSOR		
15	WT2-5565-000		1	CLAMP, CABLE		
16	VS1-7173-009		1	CONNECTOR, SNAP TIGHT, 9P, W	J555	
17	VS1-7177-006		1	CONNECTOR, SNAP TIGHT, BK	J506	
18	FM2-0956-000		1	CABLE, MULTI DOOR SWITCH	SW11 J441	
19	FM2-0960-000		1	CABLE, CASSETTE SIZE SENSOR	J409,410,417,470J506,55 5,556	
20	FK2-0160-000		1	ENVIRONMENTAL SENSOR UNIT		
21	FA9-3832-000		1	BUSHING		
22	FB2-8010-000		2	PIN, GUIDE, POSITIONING		
23	FB4-1421-000		1	MOUNT, LATCH		
24	FC5-1846-000		1	HOOK, RIGHT DOOR		
25	FC5-2544-000		2	SCREW, ADJUSTMENT, M6X16		
26	FC5-2727-000		1	BUSHING		
27	FC5-6243-000		1	BUSHING		
28	VS1-7173-006		1	CONNECTOR, SNAP TIGHT, 6P, W	J267	
29	VS1-7173-008		1	CONNECTOR, SNAP TIGHT, 8P, W	J261	
30	VS1-7173-011		1	CONNECTOR, SNAP TIGHT, 11P, W	J301	

FIGURE & KEY NO.	PARTS NUMBER	R A N K	Q'TY	DESCRIPTION	SERIAL NUMBER/ REMARKS	S V C
31	VS1-7173-012		1	CONNECTOR, SNAP TIGHT, 12P, W	J214	
32	FB2-7560-000		1	COVER, SWITCH		
33	FK2-0149-000		2	PHOTO-INTERRUPTER, TLP1253(C6)	PS5,64 J421,417	
34	FS5-2958-000		1	SPRING, TENSION		
35	FS5-9166-020		1	SCREW, STEPPED, M4		
36	FS5-9216-020		1	SCREW, STEPPED, M4X6		
37	FM2-0952-000		1	CABLE, MULTI DOOR SENSOR	J421,445	
38	FU5-8525-000		1	LABEL, DRUM ROTATION		
39	FM2-0417-000		1	BK FRONT SIDE PLATE ASSEMBLY		
40	FM2-1232-000		1	HINGE,UPPER		
41	FM2-1233-000		1	LOWER HINGE UNIT		
501	XD2-1100-242		AR	RING,E		
502	XB1-2400-607		AR	SCREW,MACH.,TRUSS HEAD,M4X6		
503	XD2-1100-322		AR	RING,E		
504	XB4-7300-807		AR	SCREW,TAPPING,TRUSS HEAD,M3X8		
505	XB1-2230-809		AR	SCREW,MACH.,TRUSS HEAD,M2.3X8		
506	XB6-7401-007		AR	SCREW,TP,M4X10		
507	XB3-6401-005		AR	SCREW,RS,M4X10		

FIGURE & KEY NO.	PARTS NUMBER	R A N K	Q'TY	DESCRIPTION	SERIAL NUMBER/ REMARKS	S V C
Fig.102	NPN		RF	INTERNAL COMPONENTS 1		
1	FC5-2544-000		2	SCREW, ADJUSTMENT, M6X16		
2	FC5-2566-000		4	BLOCK, SIDE SLIDE		
3	FC5-2657-000		4	RAIL, SLIDE		
4	FM2-0849-000		2	CST. SIZE SENSOR PCB ASSEMBLY	J506,507	
5	FC5-2703-000		5	ROLLER, PAPER FEEDER		
6	FS7-0652-000		1	GEAR, 18T		
7	FS7-0641-000		4	GEAR, 24T		
8	WT2-5565-000		1	CLAMP, CABLE		
9	FC5-2545-000		3	COVER, CABLE		
10	FC5-2568-000		2	COVER, RAIL		
11	FC5-2715-000		5	RING, RETAINING		
12	VS1-7177-006		1	CONNECTOR, SNAP TIGHT, BK	J507	
13	FA9-2112-000		10	BUSHING		
14	FM2-0398-000		1	DOOR SWITCH UNIT	SW12 J448,449	
15	VS1-7177-002		2	CONNECTOR, SNAP TIGHT, BK	J424,449	
16	VS1-7164-032		2	CONNECTOR, SNAP TIGHT, 32P, W	J201,401	
17	FC5-1420-000		2	HOLDER, SIZE DETECT		
18	FC5-2389-000		1	COVER, RIGHT INTERNAL		
19	FL2-1192-000		1	RAIL, CASSETTE, RIGHT		
20	FL2-1193-000		1	RAIL, CASSETTE, LEFT		
501	XB3-6400-805		AR	SCREW,RS,M4X8		
502	XD2-1100-242		AR	RING,E		
503	XB1-2400-607		AR	SCREW,MACH.,TRUSS HEAD,M4X6		
504	XD2-1100-642		AR	RING,E		
505	XD3-2200-102		AR	PIN,DOWEL		
506	XD3-2200-142		AR	PIN,DOWEL		

FIGURE 103 INTERNAL COMPONENTS 2

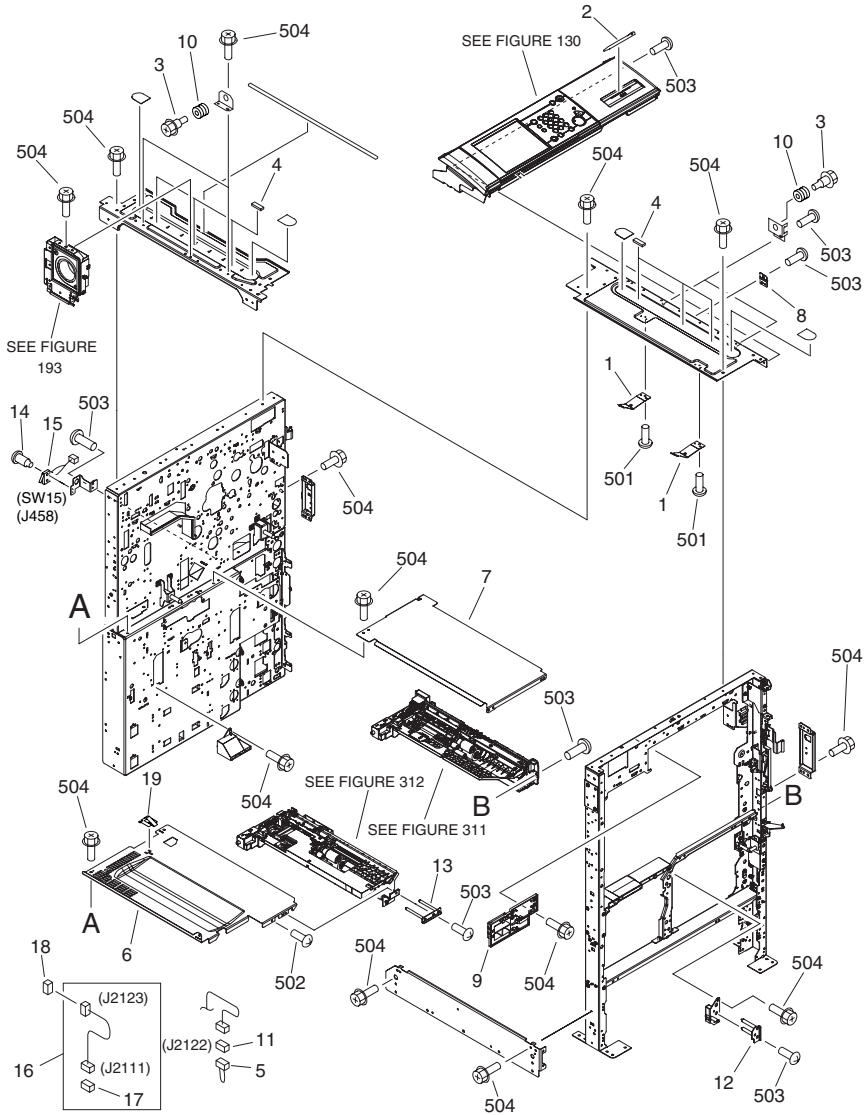


FIGURE & KEY NO.	PARTS NUMBER	RANK	Q'TY	DESCRIPTION	SERIAL NUMBER/REMARKS	SVC
Fig.103	NPN		RF	INTERNAL COMPONENTS 2		
1	FC5-1638-000		2	SPRING, LEAF		
2	FA9-4026-000		1	PEN, TOUCH PANEL		
3	FS5-9215-000		4	SCREW, STEPPED		
4	KE8-1049-030		6	GASKET		
5	FM2-0904-000		1	CONNECTOR, SHORT	J2122	
6	FC5-2674-000		1	PLATE, REVERSE, LEFT		
7	FC5-2675-000		1	PLATE, REVERSE, RIGHT		
8	FC5-6247-000		1	PLATE, GROUNDING		
9	FM2-1669-000		1	MOUNT, CONNECTOR		
10	FB2-6310-000		4	BUSHING, RUBBER		
11	VS1-7177-004		1	CONNECTOR, SNAP TIGHT, BK	J2122	
12	FL2-0569-000		1	PLATE, DECK POSITIONING, LEFT		
13	FL2-0566-000		1	SUPPORT, PAPER PICK-UP, UPPER		
14	XA9-0944-000		2	SCREW, STEPPED, M2		
15	FM2-0999-000		1	CABLE, HANDLE SWITCH	SW15 J458	
16	FM2-0906-000		1	CABLE, CARD READER CONNECTING	J2111, 2123	
17	VS1-7173-012		1	CONNECTOR, SNAP TIGHT, 12P, W	J2111	
18	VS1-7177-012		1	CONNECTOR, SNAP TIGHT, BK	J2123	
19	FC5-6404-000		1	PLATE, GROUNDING		
501	XB1-2300-407		AR	SCREW, MACH., TRUSS HEAD, M3X4		
502	XB6-7401-007		AR	SCREW, TP, M4X10		
503	XB1-2400-607		AR	SCREW, MACH., TRUSS HEAD, M4X6		
504	XB3-6401-005		AR	SCREW, RS, M4X10		

FIGURE 104 INTERNAL COMPONENTS 3

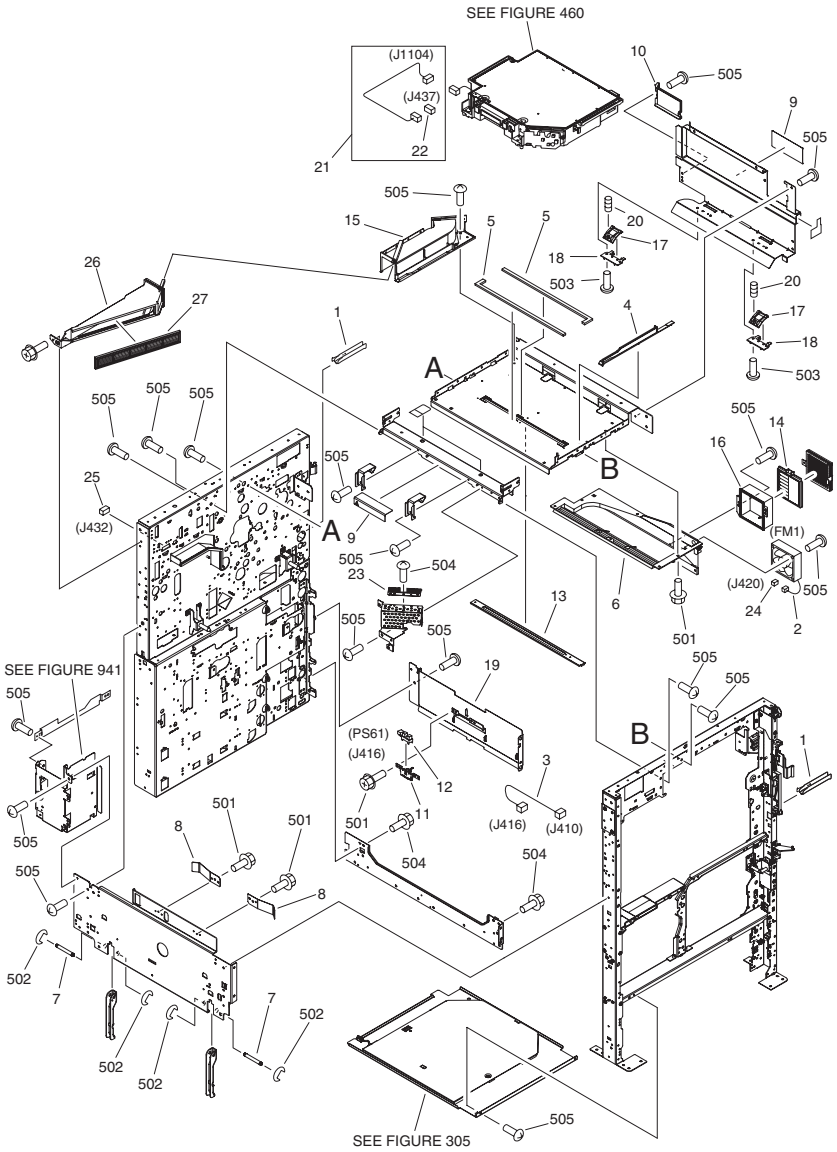


FIGURE & KEY NO.	PARTS NUMBER	R A N K	Q'TY	DESCRIPTION	SERIAL NUMBER/ REMARKS	S V C
Fig.104	NPN		RF	INTERNAL COMPONENTS 3		
1	FG5-5794-000		2	HANDLE, MAIN BODY		
2	FK2-0103-000		1	FAN	FM1 J420	
3	FM2-0969-000		1	CABLE, VERTICAL PATH 2 SENSOR	J410,416	
4	FC5-1619-000		1	RAIL, SCANNER		
5	FC5-1620-000		2	SEAL, SCANNER		
6	FL2-0433-000		1	DUCT, PRIMARY AIR		
7	FC5-1637-000		2	SHAFT, GRIP		
8	FC5-2768-000		2	SPRING, LEAF		
9	FU5-8099-000		2	LABEL, LASER CAUTION		
10	FC5-2667-000		1	COVER, MULTI CABLE		
11	FF5-8194-000		1	MOUNT, PAPER PATH SENSOR		
12	FK2-0149-000		1	PHOTO-INTERRUPTER, TLP1253(C6)	PS61 J416	
13	FL2-0390-000		1	GLASS, DUST-PROOF		
14	FL2-0439-000		1	FILTER, DUST		
15	FM2-1670-000		1	DUCT, MACHINE COOLING		
16	FL2-1187-000		1	DUCT, PRIMARY AIR, 2		
17	FB5-2951-000		2	BLOCK, GUIDE PRESSURE, 1		
18	FB5-2957-020		2	BLOCK, GUIDE PRESSURE, 2		
19	FC5-2704-000		1	GUIDE, CENTER VERTICAL PATH		
20	FU5-2148-010		2	SPRING, COMPRESSION		
21	FM2-0940-000		1	CABLE, SCANNER UNIT CONNECTING	J437,1104	
22	VS1-7173-008		1	CONNECTOR, SNAP TIGHT, 8P, W	J437	
23	FC5-6246-000		1	SPRING, GROUNDING		
24	VS1-7177-003		1	CONNECTOR, SNAP TIGHT, BK	J420	
25	VS1-7164-026		1	CONNECTOR, SNAP TIGHT, 26P, W	J432	
26	FL2-0574-000		1	DUCT		
27	FL2-0575-000		1	FILTER, TONER		
501	XB3-6400-805		AR	SCREW,RS,M4X8		
502	XD2-1100-642		AR	RING,E		
503	XB1-2300-607		AR	SCREW,MACH.,TRUSS HEAD,M3X6		
504	XB1-2300-407		AR	SCREW,MACH.,TRUSS HEAD,M3X4		

FIGURE & KEY NO.	PARTS NUMBER	R A N K	Q'TY	DESCRIPTION	SERIAL NUMBER/ REMARKS	S V C
505	XB1-2400-607		AR	SCREW,MACH.,TRUSS HEAD,M4X6		

FIGURE & KEY NO.	PARTS NUMBER	R A N K	Q'TY	DESCRIPTION	SERIAL NUMBER/ REMARKS	S V C
Fig.105	NPN		RF	INTERNAL COMPONENTS 4		
1	FC5-2501-000		1	MOUNT, HIGH VOLTAGE PCB BOX		
2	FC5-1737-000		2	RAIL, SLIDE		
3	FC5-2378-000		2	RAIL, FRAME		
4	FM2-1207-000		1	PRE-REGISTRATION SENSOR UNIT		
5	FK2-0149-000		1	PHOTO-INTERRUPTER, TLP1253(C6)	PS32 J419	
6	FC5-2111-010		1	GUIDE, PRE-REGISTRATION 1		
7	FL2-2475-000		1	GUIDE, PRE-REGISTRATION, 2		
8	FC5-5084-000		1	PANEL, CONNECTOR BLANKING		
9	FC5-2034-000		1	COVER, BOTTLE SENSOR		
10	FC5-5096-000		1	DOOR, BOTTLE EXCHANGE		
11	FC5-5099-000		1	SPRING, TORSION		
12	FC5-6220-000		1	PLATE, STATIC CHARGE		
13	FC5-6221-000		1	COVER, AP KIT FRONT		
14	FK2-0004-000		1	IC, KUA0047B, PHOTOREFLECTOR	PS26 J212	
15	FM2-0912-000		1	CABLE, C. TONER BOTTLE SENSOR	J212,213	
16	FU5-8090-000		1	LABEL, T. BOTTLE SET POSITION		
17	FL2-0469-000		1	HOLDER, DRUM FIXED		
18	FS6-8992-000		1	LABEL, TONER	120V	
19	FC5-2341-020		1	COVER, FIXING		
20	FM2-1235-000		1	LEVER, FIXING		
21	FC5-1882-000		1	PLATE, DEVELOPING PRESSURE		
22	FC5-1883-000		2	SHAFT, DEVELOPING PRESSURE		
23	FU5-2112-000		2	SPRING, COMPRESSION		
24	FC5-2387-00U		1	RECONDITIONED COVER, PAPER		
25	FC5-5081-000		1	SPRING, COMPRESSION		
26	FC5-5082-000		1	SUPPORT, PUSHING		
27	FC5-5083-000		1	BUTTON, PUSHING		
28	FC5-2388-000		1	COVER, FEEDER INTERNAL, 2		
29	FM2-0973-000		1	CABLE, CROSSING SENSOR	J419,439	
30	VS1-7177-003		1	CONNECTOR, SNAP TIGHT, BK	J439	
31	FM2-1012-000		1	CABLE,1ST TRN		

FIGURE & KEY NO.	PARTS NUMBER	RANK	Q'TY	DESCRIPTION	SERIAL NUMBER/REMARKS	SVC
501	XB3-6401-205		AR	SCREW,RS,M4X12		
502	XB4-5300-807		AR	SCREW,P,M3X8		
503	XB3-6401-005		AR	SCREW,RS,M4X10		
504	XD1-1104-635		AR	SHIM		
505	XD2-1100-322		AR	RING,E		
506	XB1-2400-607		AR	SCREW,MACH.,TRUSS HEAD,M4X6		
507	XB2-8502-507		1	SCREW, W/WASHER, M5*25		

FIGURE 106 MACHINE REAR PLATE 1

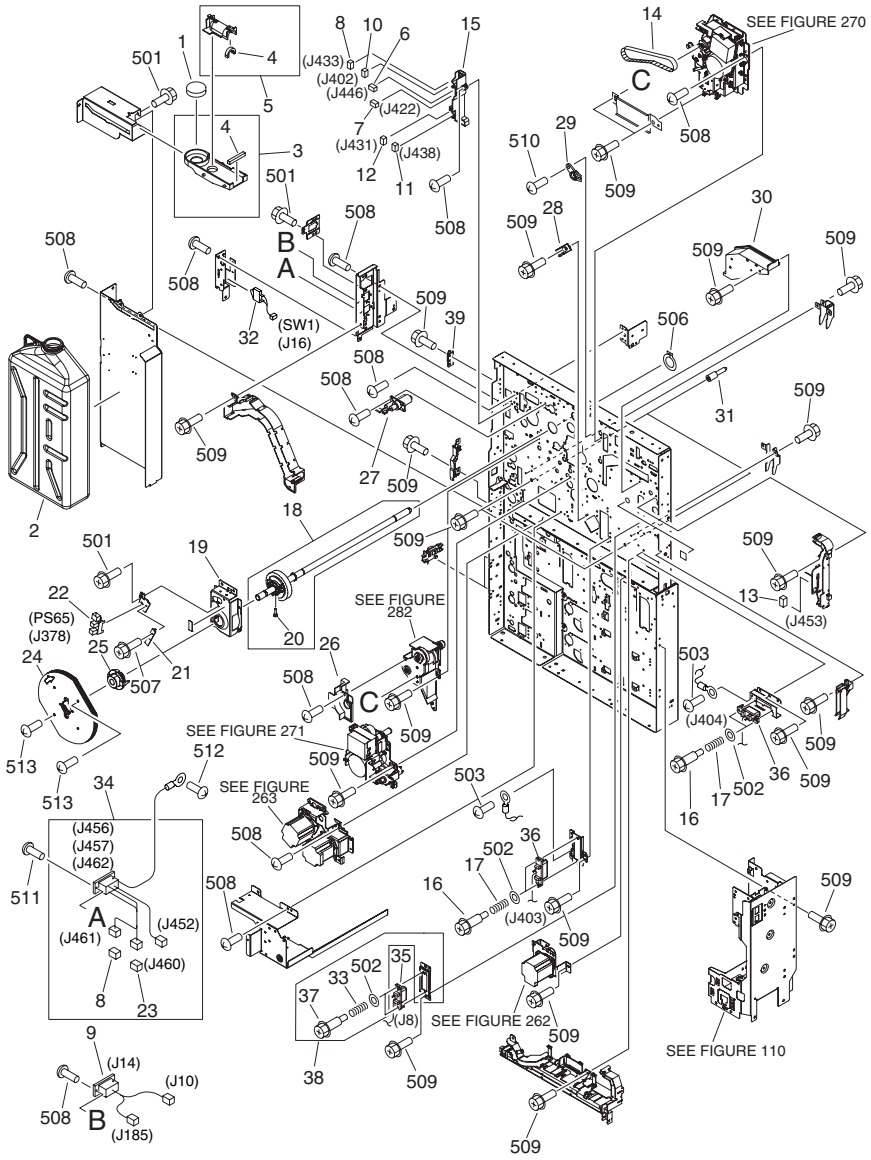


FIGURE & KEY NO.	PARTS NUMBER	RANK	Q'TY	DESCRIPTION	SERIAL NUMBER/REMARKS	SVC
Fig.106	NPN		RF	MACHINE REAR PLATE 1		
1	FB2-8408-000		1	CAP, WASTE TONER		
2	FC5-2457-000		1	BOTTLE, WASTE TONER		
3	FF5-3172-000		1	CAP, BOTTLE, 1		
4	FB2-8272-000		2	SEAL		
5	FF5-3173-000		1	CAP, BOTTLE, 2		
6	VS1-7177-003		1	CONNECTOR, SNAP TIGHT, BK	J446	
7	VS1-7177-004		1	CONNECTOR, SNAP TIGHT, BK	J422	
8	VS1-7177-006		2	CONNECTOR, SNAP TIGHT, BK	J433,461	
9	FM2-0928-000		1	CABLE, READER HEATER	J10,14,185	
10	VS1-7164-024		1	CONNECTOR, SNAP TIGHT, 24P, W	J402	
11	VS1-7173-006		1	CONNECTOR, SNAP TIGHT, 6P, W	J438	
12	VS1-7173-008		1	CONNECTOR, SNAP TIGHT, 8P, W	J431	
13	VS1-7173-010		1	CONNECTOR, SNAP TIGHT, 10P, W	J453	
14	XF2-4118-640		1	BELT, TIMING		
15	FC5-2458-000		1	MOUNT, CONNECTOR		
16	FU5-9036-020		4	SCREW, STEPPED, M3		
17	FS7-2278-000		4	SPRING, COMPRESSION		
18	FM2-0510-000		1	DRUM SHAFT UNIT		
19	FL2-1400-000		1	PLATE,DRUM SHAFT RETAINING		
20	XA9-1821-000		1	SCREW, W/WASHER, M4X20		
21	FB6-5889-000		1	ELIMINATOR, STATIC CHARGE		
22	FK2-0149-000		1	PHOTO-INTERRUPTER, TLP1253(C6)	PS65 J378	
23	VS1-7177-008		1	CONNECTOR, SNAP TIGHT, BK	J460	
24	FC5-2437-000		1	FLYWHEEL		
25	FC5-6223-000		1	HOLDER, FLYWHEEL, FRONT		
26	FC5-6225-000		1	COVER, WASTE TONER DRIVE		
27	FK2-0128-000		1	CONNECTOR, PRIMARY H.V.		
28	FC5-2122-000		1	LATCH		
29	FC5-6243-000		1	BUSHING		
30	FL2-1174-000		1	DUCT, FIXING, FRONT		
31	FU5-4124-000		2	PIN, POSITIONING		

FIGURE & KEY NO.	PARTS NUMBER	RANK	Q'TY	DESCRIPTION	SERIAL NUMBER/REMARKS	SVC
32	FK2-0140-000		1	SWITCH, TOGGLE	SW1 J16	
33	FU5-2184-000		2	SPRING, COMPRESSION		
34	FM2-0938-000		1	CABLE, 3.5K POWER SUPPLY	J452,456,457,460-462	
35	FM2-0921-000		1	CABLE, AC DRIVER	IR C6800/5800 Series	
35	FM2-6047-000		1	CABLE, AC DRIVER	IR C6870/5870 Series	
36	FM2-0935-000		1	CABLE, MAIN BODY REAR	IR C6800/5800 Series	
36	FM2-6046-000		1	CABLE, MAIN BODY REAR	IR C6870/5870 Series	
37	FU5-9303-000		2	SCREW, STEPPED, M3		
38	FM2-3886-000		1	UNIT, FIXING DRAWER MOUNT		
39	FC5-2726-000		1	HINGE, VERTICAL PATH DOOR		
501	XB3-6400-805		AR	SCREW,RS,M4X8		
502	XD1-1104-135		AR	SHIM		
503	XB2-7400-607		AR	SCREW,W/WASHER,M4X6		
506	XD2-3100-152		AR	RING,C,EXTERNAL		
507	XB3-6300-805		AR	SCREW,RS,M3X8		
508	XB1-2400-607		AR	SCREW,MACH.,TRUSS HEAD,M4X6		
509	XB3-6401-005		AR	SCREW,RS,M4X10		
510	XB6-7401-007		AR	SCREW,TP,M4X10		
511	XB1-2300-607		AR	SCREW,MACH.,TRUSS HEAD,M3X6		
512	XB6-7300-607		AR	SCREW,TP,M3X6		
513	XB2-8502-007		2	SCREW, W/WASHER, M5*20		

FIGURE 107 MACHINE REAR PLATE 2

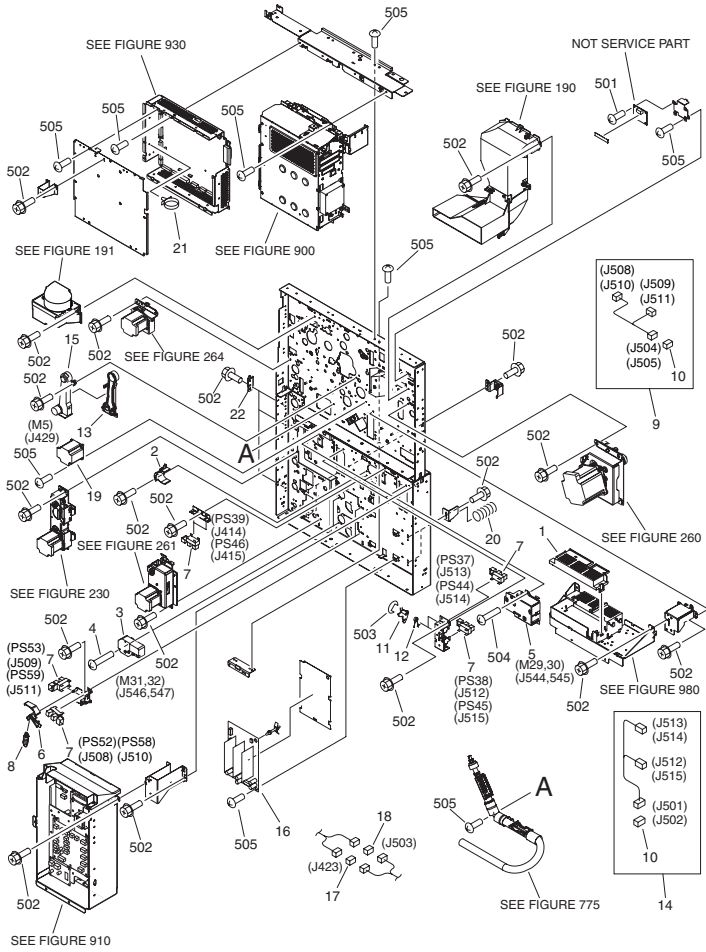


FIGURE & KEY NO.	PARTS NUMBER	RANK	Q'TY	DESCRIPTION	SERIAL NUMBER/REMARKS	SVC
Fig.107	NPN		RF	MACHINE REAR PLATE 2		
1	FC5-2502-000		1	COVER, HIGH VOLTAGE PCB, UPPER		
2	FC5-2718-000		1	COVER, DECK LIFTER GEAR		
3	FM4-9814-000		2	MOTOR, DC	M31,32J546,547	
4	XA9-1491-000		6	SCREW,W/WASHER PAN HEAD, M3X30		
5	FM2-4663-000		2	MOTOR, DC	M29,30J544,545	
6	FC5-2515-000		2	ARM, CASSETTE PAPER SENSOR		
7	FK2-0149-000		10	PHOTO-INTERRUPTER, TLP1253(C6)	PS37-39,44-46,52,53PS58,59J513,512,414,514,515J415,J508-511	
8	FU5-2125-000		2	SPRING, TENSION		
9	FM2-0992-000		2	CABLE, CASSETTE REMNANT SENSOR	J504,505,508-511	
10	VS1-7177-006		4	CONNECTOR, SNAP TIGHT, BK	J501,502,504,505	
11	FB2-9248-000		4	ARM, PAPER SENSOR		
12	FB5-0553-000		4	SPRING, TORSION		
13	FC5-2420-000		1	PIPE, JOINT, LOWER		
14	FM2-0961-000		2	CABLE, DECK REMNANT SENSOR	J501,502,512-515	
15	FL2-1197-000		1	PIPE, JOINT, UPPER		
16	FM2-0823-00U		1	RECONDITIONED DRIVER PCB		
17	VS1-7177-004		1	CONNECTOR, SNAP TIGHT, BK	J423	
18	VS1-7164-018		1	CONNECTOR, SNAP TIGHT, 18P, W	J503	
19	FK2-0025-00U		1	RECONDITIONED MOTOR, STEPPING	M5 J429	
20	FU5-2172-000		2	SPRING, COMPRESSION		
21	WT2-5565-000		1	CLAMP, CABLE		
22	FC5-2726-000		3	HINGE, VERTICAL PATH DOOR		
501	XB1-2300-607		AR	SCREW,MACH.,TRUSS HEAD,M3X6		
502	XB3-6401-005		AR	SCREW,RS,M4X10		
503	XD2-1100-242		AR	RING,E		
504	XB6-7403-007		AR	SCREW,TP,M4X30		
505	XB1-2400-607		AR	SCREW,MACH.,TRUSS HEAD,M4X6		

FIGURE 108 MACHINE BOTTOM PLATE

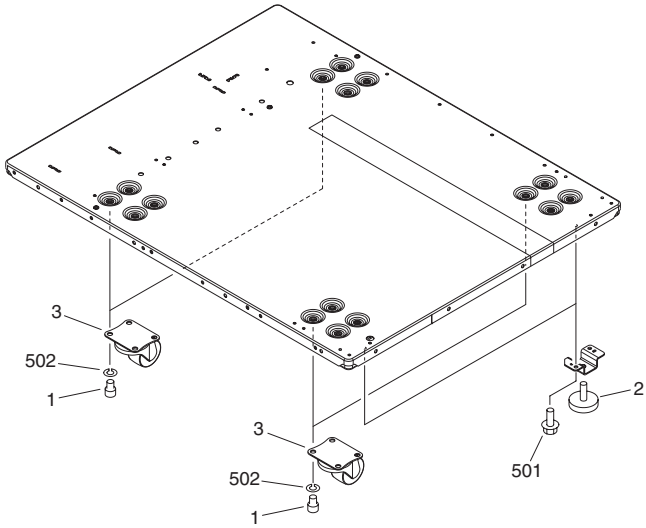


FIGURE & KEY NO.	PARTS NUMBER	RANK	Q'TY	DESCRIPTION	SERIAL NUMBER/REMARKS	S V C
Fig.108	NPN		RF	MACHINE BOTTOM PLATE		
1	FB4-1340-000		16	SCREW,ALLEN HEAD,M8X10	OLD TYPE	
2	XZ9-0494-000		2	ADJUSTER		
3	XZ9-0409-020		4	CASTER		
501	XB3-6401-005		AR	SCREW,RS,M4X10		
502	XD1-3100-805		AR	WASHER,SPRING		
2	FB2-8506-020		2	ADJUSTER	NEW TYPE	

FIGURE 110 POWER CORD TERMINAL ASSEMBLY

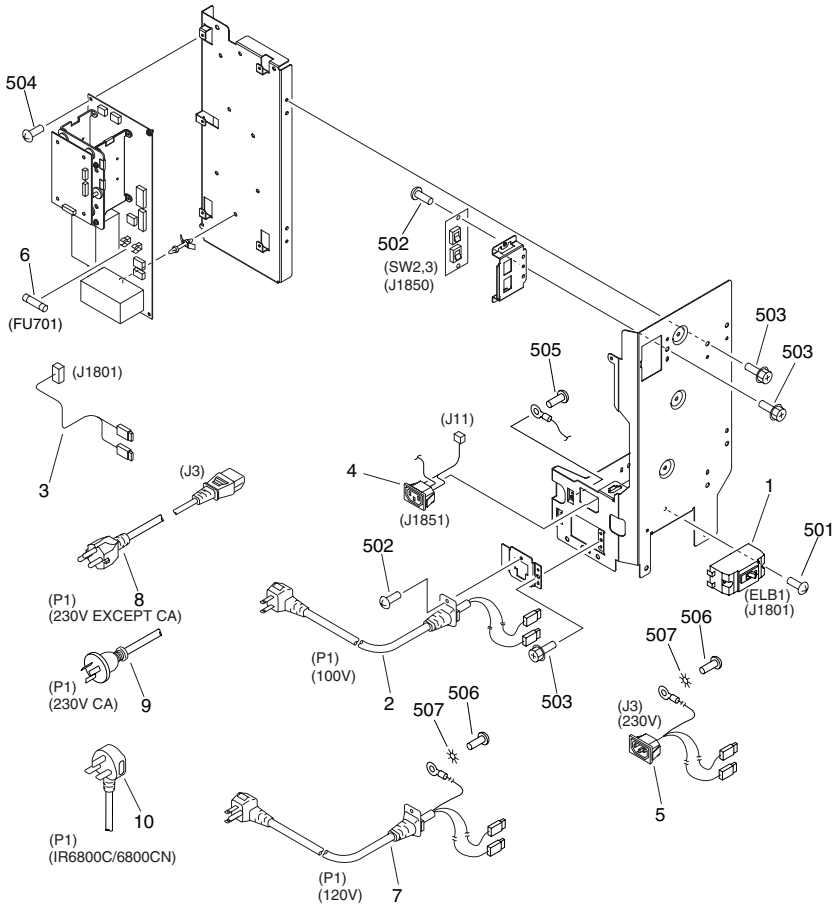


FIGURE & KEY NO.	PARTS NUMBER	R A N K	Q'TY	DESCRIPTION	SERIAL NUMBER/ REMARKS	S V C
Fig.110	FM2-0523-000		1	POWER CORD TERMINAL ASSEMBLY	IR C6800/5800 Series100V	
Fig.110	FM2-0550-000		1	POWER CORD TERMINAL ASSEMBLY	IR C6800/5800 Series120V	
Fig.110	FM2-0551-000		1	POWER CORD TERMINAL ASSEMBLY	IR C6800/5800 Series230V	
Fig.110	FM2-5889-000		1	POWER CORD TERMINAL ASSEMBLY	IR C6870/5870 Series100V	
Fig.110	FM2-5893-000		1	POWER CORD TERMINAL ASSEMBLY	IR C6870/5870 Series120V	
Fig.110	FM2-5904-000		1	POWER CORD TERMINAL ASSEMBLY	IR C6870/5870 Series230V	
1	FK2-0150-000		1	BREAKER, ELECTRIC LEAKAGE	IR C6800/5800 Series230VELB1 J1801	
1	FK2-0151-000		1	BREAKER, ELECTRIC LEAKAGE	IR C6800/5800 Series100VELB1 J1801	
1	FK2-0152-000		1	BREAKER, ELECTRIC LEAKAGE	IR C6800/5800 Series120VELB1 J1801	
1	FH7-7625-030		1	BREAKER, ELECTRIC LEAKAGE	IR C6870/5870 Series230VELB1 J1801	
1	FK2-0166-000		1	BREAKER, ELECTRIC LEAKAGE	IR C6870/5870 Series100VELB1 J1801	
1	FK2-0167-000		1	BREAKER, ELECTRIC LEAKAGE	IR C6870/5870 Series120VELB1 J1801	
2	FL2-0982-000		1	CORD, POWER SUPPLY	100V P1	
3	FM2-0922-000		1	CABLE, AC POWER SUPPLY	J1801	
4	FM2-0925-000		1	CABLE, DECK HEATER	J11,1851	
5	FM2-0893-000		1	CABLE, SOCKET	230V J3	
6	VD7-0522-501		1	FUSE, 2.5A 125V	100/120VFU701	
6	VD7-2891-251		1	FUSE, 1.25A 250V	230VFU701	
7	FL2-0983-000		1	CORD, POWER SUPPLY	120V P1	
8	FK2-0146-000		1	CORD, POWER SUPPLY	230V EXCEPT CAP1 J3	
9	FK2-0148-000		1	CORD, POWER SUPPLY	230V CAP1 J3	
10	FK2-0147-000		1	CORD, POWER SUPPLY	IR6800C/6800CNP1 J3	
501	XB1-1402-005		AR	SCREW,MACH.,PAN HEAD,M4X20		
502	XB1-2400-807		AR	SCREW,MACH.,TRUSS HEAD,M4X8		
503	XB3-6400-805		AR	SCREW,RS,M4X8		
504	XB6-7300-607		AR	SCREW,TP,M3X6		

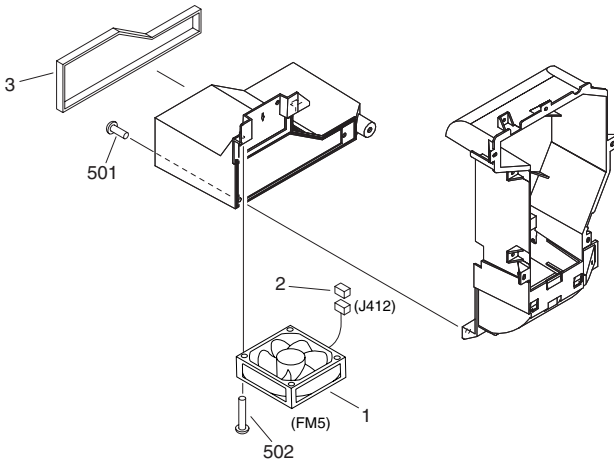
FIGURE & KEY NO.	PARTS NUMBER	R A N K	Q'TY	DESCRIPTION	SERIAL NUMBER/ REMARKS	S V C
505	XB2-7400-607		AR	SCREW,W/WASHER,M4X6		
506	XB1-2400-603		AR	SCREW,MACH.,TRUSS HEAD,M4X6		
506	XB1-2500-605		AR	SCREW,MACH.,TRUSS HEAD,M5X6		
507	XD1-4200-402		AR	WASHER,TOOTHED LOCK		
507	XD1-4200-502		AR	WASHER,TOOTHED LOCK		

FIGURE & KEY NO.	PARTS NUMBER	R A N K	Q'TY	DESCRIPTION	SERIAL NUMBER/ REMARKS	S V C
Fig.130	FM2-1125-020		1	CONTROL PANEL ASSEMBLY	SEE NOTE 1100V	
Fig.130	FM2-1126-020		1	CONTROL PANEL ASSEMBLY	SEE NOTE 1120/230V	
Fig.130	FM2-1196-020		1	CONTROL PANEL ASSEMBLY	SEE NOTE 1230V	
1	FC5-1631-000		1	PANEL, CONTROL PANEL ASSEMBLY		
2	FC5-1641-000		1	PANEL, CONTROL PANEL ASS'Y L.		
3	FU5-8098-000		1	LABEL, LASER CAUTION		
4	FC5-5182-000		1	COVER, LAMP		
5	FC5-4458-010		1	SHEET, LCD ELECTROSTATIC		
6	FC5-1059-000		1	KEY TOP, POWER SUPPLY		
7	FC5-1060-000		1	KEY TOP, ENERGY SAVE		
8	FC5-1061-000		1	KEY TOP, NUMBERS		
9	FC5-1064-000		1	KEY TOP, STOP		
10	FC5-1065-000		1	KEY TOP, RESET		
11	FC5-1066-000		1	KEY TOP, COUNTER		
12	FC5-1067-000		1	KNOB, VOLUME		
13	FH2-7037-000		1	CABLE, FLAT	J1112,CN1	
14	FK2-0329-000		1	ANALOG TOUCH PANEL UNIT		
15	FL2-3730-010		1	LCD CONTROL PANEL UNIT	J2136,2137	
16	FG3-3965-000		1	CONTROL PANEL CPU PCB ASSEMBLY		
17	FG3-2834-020		1	PANEL SWITCH PCB ASSEMBLY		
18	FM2-1252-000		1	CABLE, CONTROL PANEL	J2117,2118	
19	FM2-1253-000		1	CABLE, CONTROL PANEL CONNECT	J2132-2135	
20	FM2-1254-000		1	CABLE, CONTROL PANEL INVERTER	J2130,2131	
21	FC5-1062-010		1	KEY TOP, START		
22	FC5-1063-000		1	WINDOW, START KEY TOP		
23	VS1-7164-036		1	CONNECTOR, SNAP TIGHT, 36P, W	SEE NOTE 2J2117	
24	FC6-4770-000		1	CUSHION, PROTECT		
25	FC5-6644-000		1	PANEL, CONTROL	100V	
25	FC5-6645-000		1	PANEL, CONTROL	120V/230V	
25	FC5-6647-000		1	PANEL, CONTROL	230V	
501	XB6-7300-607		AR	SCREW,TP,M3X6		
502	XB1-2400-807		AR	SCREW,MACH.,TRUSS HEAD,M4X8		

FIGURE & KEY NO.	PARTS NUMBER	R A N K	Q'TY	DESCRIPTION	SERIAL NUMBER/ REMARKS	S V C
503	XB4-5400-807		AR	SCREW,P,M4X8		
504	XB4-5301-007		AR	SCREW,P,M3X10		

FIGURE & KEY NO.	PARTS NUMBER	R A N K	Q'TY	DESCRIPTION	SERIAL NUMBER/ REMARKS	S V C
Fig.140	FM2-0467-000		1	RIGHT DOOR ASSEMBLY	SEE NOTE	
1	FB2-7551-000		1	TAPE, SUPPORT		
2	FC5-2150-000		1	COVER, SUB		
3	FC5-2187-000		1	GUIDE, CROSSING, LOWER		
4	FC5-2191-000		2	SHEET, CROSSING		
5	FC5-5158-000		1	HANDLE, RIGHT DOOR		
6	FC5-2201-000		2	LEVER, MULTI TRAY		
7	FC5-2668-000		1	PANEL, DECK		
8	FS7-2326-000		1	SPRING, COMPRESSION		
9	FU5-2179-000		2	SPRING, COMPRESSION		
10	FS7-2811-000		1	SPRING, TORSION		
11	FB6-3313-000		2	ROLLER, PAPER FEED		
12	FC5-2139-00U		1	RECONDITIONED GUIDE, CROSSING,		
13	FL2-0579-000		1	FLAG, RIGHT DOOR SENSOR		
14	FC5-2190-000		1	SPRING, TORSION		
15	FK2-0149-000		1	PHOTO-INTERRUPTER, TLP1253(C6)	PS31 J387	
16	FS5-1595-000		4	BLOCK, ROLLER		
17	FU6-2924-000		4	SPRING, COMPRESSION		
18	VS1-7177-003		1	CONNECTOR, SNAP TIGHT, BK	J386	
19	FM2-0986-000		1	CABLE, VERTICAL PATH	J386,387	
501	XB4-5400-807		AR	SCREW,P,M4X8		

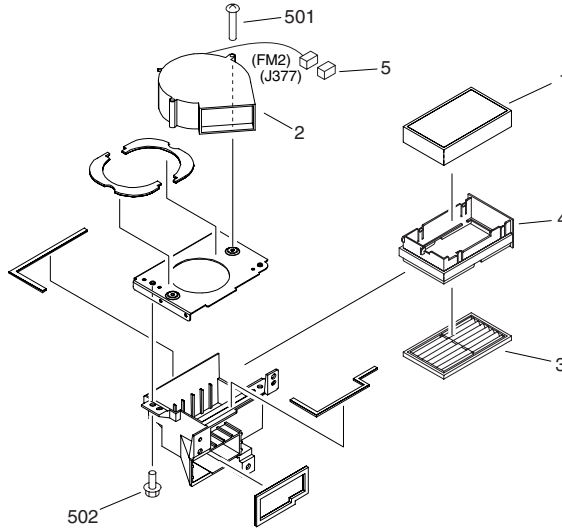
FIGURE 190 FIXING EXHAUST FAN ASSEMBLY



NOTE : This assembly does not include the part shown with key No. 3.
 注 : このユニットにKey No. 3の部品は含まれません。

FIGURE & KEY NO.	PARTS NUMBER	RANK	Q'TY	DESCRIPTION	SERIAL NUMBER/REMARKS	SVC
Fig.190	FM2-0539-00U		1	RECONDITIONED FIXING EXHAUST		
1	FK2-0103-000		1	FAN	FM5 J412	
2	VS1-7177-003		1	CONNECTOR, SNAP TIGHT, BK	J412	
3	FC5-6370-000		1	FILTER, OZONE	SEE NOTE	
501	XB4-7400-807		AR	SCREW,TAPPING,TRUSS HEAD,M4X8		
502	XB4-7403-507		AR	SCREW,TAPPING,TRUSS HEAD,M4X35		

FIGURE 191 PRIMARY EXHAUST FAN ASSEMBLY



NOTE : This assembly does not include the part shown with key No. 5.
注 : このユニットにKey No. 5の部品は含まれません。

FIGURE & KEY NO.	PARTS NUMBER	RANK	Q'TY	DESCRIPTION	SERIAL NUMBER/REMARKS	SVC
Fig.191	FM2-0531-020		1	PRIMARY EXHAUST FAN ASSEMBLY		
1	FC5-2486-000		1	FILTER, OZONE	FM2 J377	
2	FK2-0124-000		1	FAN		
3	FL2-0551-000		1	FILTER, TONER		
4	FL2-0555-000		1	HOLDER, FILTER		
5	VS1-7177-003		1	CONNECTOR, SNAP TIGHT, BK	SEE NOTEJ377	
501	XB2-4404-005		AR	SCREW,W/WASHER,M4X40		
502	XB3-6400-805		AR	SCREW,RS,M4X8		

FIGURE 192 TRANSFER CLEANER COOLING FAN ASS'Y

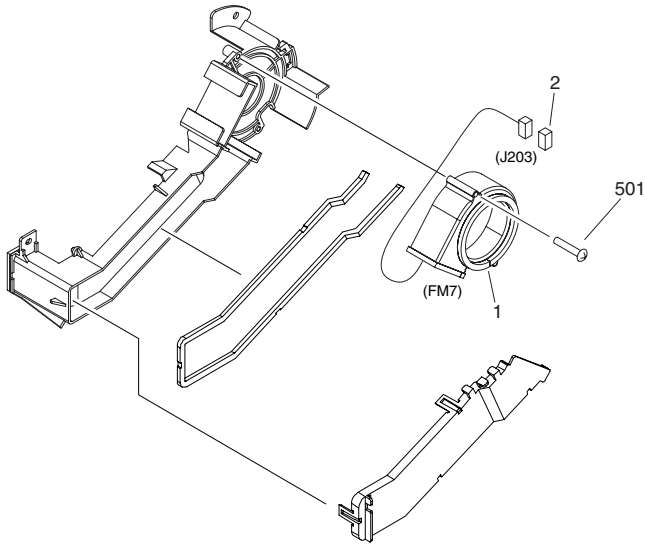
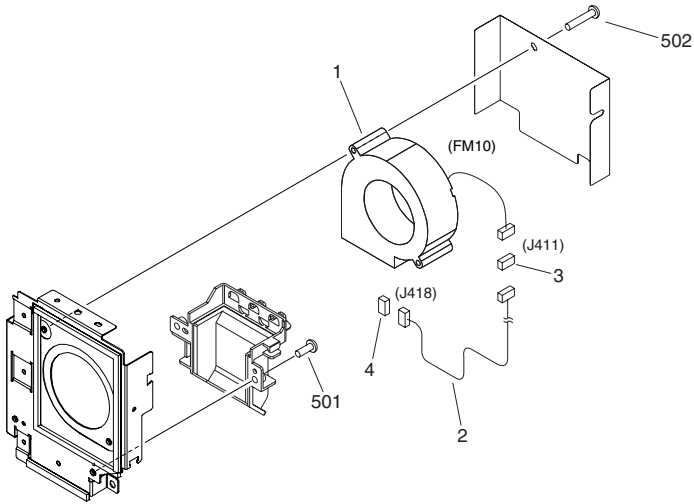


FIGURE & KEY NO.	PARTS NUMBER	RANK	Q'TY	DESCRIPTION	SERIAL NUMBER/REMARKS	SVC
Fig.192	FM2-0416-000		1	TRA. CLEANER COOLING FAN ASS'Y		
1	FL2-1185-000		1	FAN	FM7 J203	
2	VS1-7177-003		1	CONNECTOR, SNAP TIGHT, BK	J203	
501	XB4-5404-007		AR	SCREW,P,M4X40		

FIGURE 193 DELIVERY COOLING FAN ASSEMBLY



NOTE : This assembly does not include the part shown with key No. 4.
 注 : このユニットにKey No. 4の部品は含まれません。

FIGURE & KEY NO.	PARTS NUMBER	RANK	Q'TY	DESCRIPTION	SERIAL NUMBER/REMARKS	SVC
Fig.193	FM2-0516-00U		1	RECONDITIONED DELIVERY COOLING		
1	FK2-0124-000		1	FAN	FM10 J411	
2	FM2-0916-000		1	CABLE, DELIVERY COOLING FAN	J411,418	
3	VS1-7177-003		1	CONNECTOR, SNAP TIGHT, BK	J411	
4	VS1-7177-003		1	CONNECTOR, SNAP TIGHT, BK	SEE NOTE,J418	
501	XB1-2400-807		AR	SCREW,MACH.,TRUSS HEAD,M4X8		
502	XB2-4404-005		AR	SCREW,W/WASHER,M4X40		

FIGURE 194 SCANNER COOLING FAN ASSEMBLY

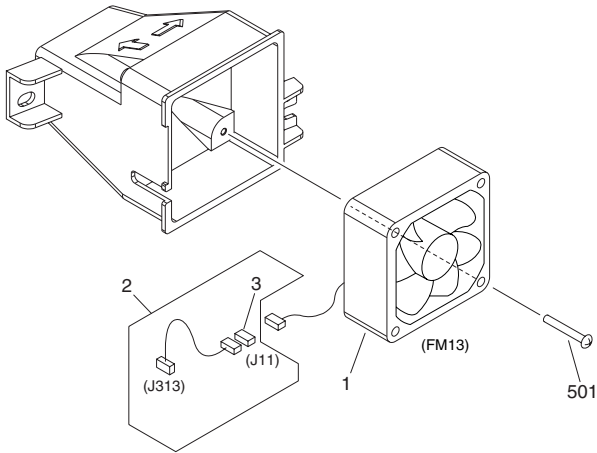


FIGURE & KEY NO.	PARTS NUMBER	R A N K	Q'TY	DESCRIPTION	SERIAL NUMBER/REMARKS	S V C
Fig.194	FM2-3168-000		1	SCANNER COOLING FAN ASSEMBLY		
1	FK2-0636-000		1	FAN	FM13 J11	
2	FM2-1109-000		1	CABLE, FAN CONNECTING	J11,313	
3	VS1-7177-003		1	CONNECTOR, SNAP TIGHT, BK	J11,313	
501	XB4-7303-007		AR	SCREW,SELF-TAPPING,M3X30 (S)		

FIGURE 210 READER ASSEMBLY

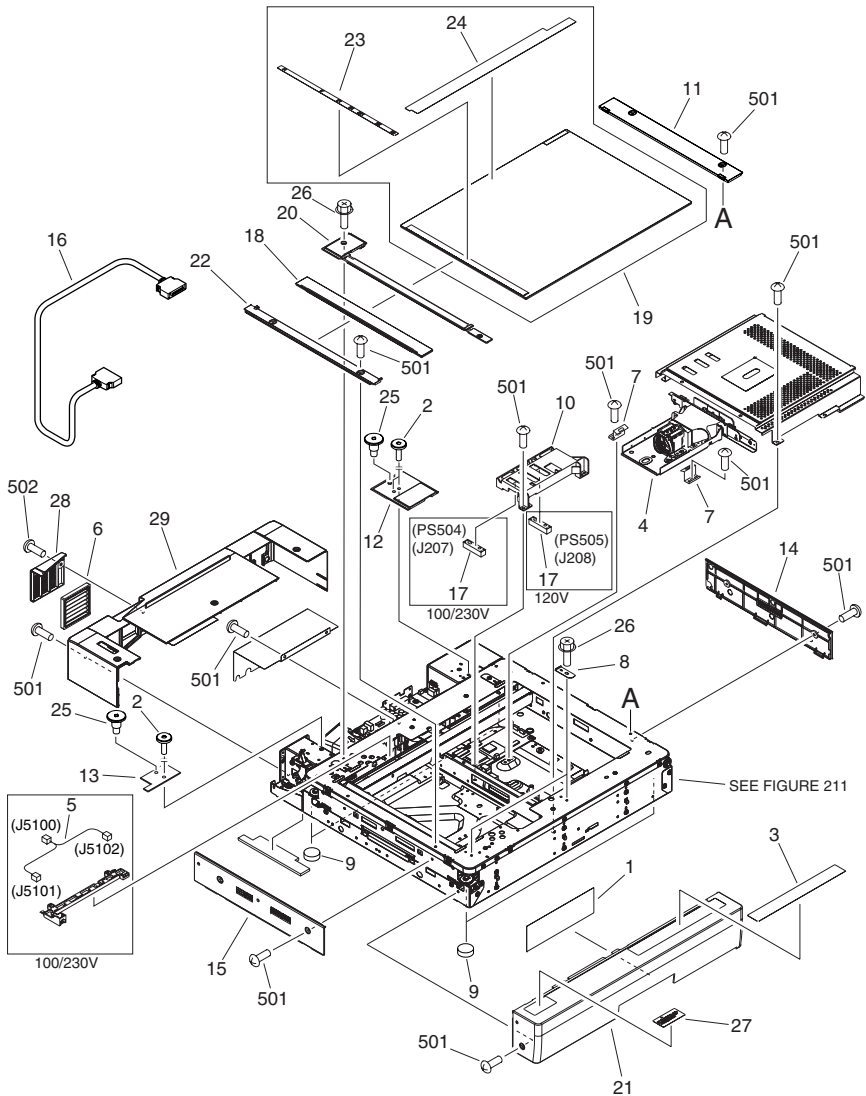


FIGURE & KEY NO.	PARTS NUMBER	R A N K	Q'TY	DESCRIPTION	SERIAL NUMBER/ REMARKS	S V C
Fig.210	NPN		RF	READER ASSEMBLY		
1	FC5-2940-000		1	LABEL, SERVICE		
2	FU5-9167-000		3	SCREW, FIXED, M4		
3	FU5-8272-000		1	LABEL,LEGAL LIMIT/LAMP CAUTION	JHS,JHT	
3	FU5-8273-000		1	LABEL,LEGAL LIMIT/LAMP CAUTION	JKK,JKL,JKMJKN,JKU,JKS	
3	FU5-8274-000		1	LABEL,LEGAL LIMIT/LAMP CAUTION	JKK	
3	FU5-8275-000		1	LABEL,LEGAL LIMIT/LAMP CAUTION	JKK	
3	FU5-8276-000		1	LABEL,LEGAL LIMIT/LAMP CAUTION	JKK,JKL,JKS	
3	FU5-8277-000		1	LABEL,LEGAL LIMIT/LAMP CAUTION	JKN,JKU	
3	FU5-8278-000		1	LABEL,LEGAL LIMIT/LAMP CAUTION	JKN,JKU	
3	FU5-8279-000		1	LABEL,LEGAL LIMIT/LAMP CAUTION	JKN,JKU	
3	FU5-8280-000		1	LABEL,LEGAL LIMIT/LAMP CAUTION	JKN,JKU	
4	FM2-0617-000		1	CCD UNIT		
5	FM2-1106-000		1	CABLE, HEATER CONNECTING	100/230VJ5100-5102	
6	FL2-0644-000		1	FILTER, AIR		
7	FB4-0726-000		2	SPRING, LEAF		
8	FC5-2792-000		2	PLATE, GLASS SUPPORT		
9	FC5-2891-000		4	DAMPER, READER		
10	FC5-2903-000		1	MOUNT, LENGTH SIZE SENSING		
11	FL2-0660-000		1	PANEL, RIGHT UPPER		
12	FC5-2929-000		1	SPACER, DF MOUNTING, RIGHT		
13	FC5-2930-000		1	SPACER, DF MOUNTING, LEFT		
14	FC5-2937-000		1	PANEL, RIGHT		
15	FC5-2938-000		1	PANEL, LEFT		
16	FH2-7036-000		1	CABLE, DDI-S SERIAL	IR C6870/5870 Series	
16	FK2-0732-000		1	CABLE, DDI-S SERIAL	IR C6800/5800 Series	
17	FK2-0238-000		1	DOCUMENT SIZE SENSOR UNIT	100/230VPS504 J207120VPS505 J208	
18	FL2-0625-000		1	GLASS, READER, FRONT LEFT		
19	FM2-0635-000		1	GLASS, COPYBOARD	AB SIZE	
19	FM2-0636-000		1	GLASS, COPYBOARD	A INCH SIZE	
19	FM2-0637-000		1	GLASS, COPYBOARD	A SIZE	

FIGURE & KEY NO.	PARTS NUMBER	R A N K	Q'TY	DESCRIPTION	SERIAL NUMBER/REMARKS	S V C
19	FM2-0638-000		1	GLASS, COPYBOARD	AB INCH SIZE	
20	FL2-0628-000		1	MOUNT, JUMP		
21	FL2-0629-000		1	PANEL, FRONT		
22	FL2-0646-000		1	PANEL, LEFT UPPER		
23	FU5-8264-000		1	PLATE, WIDTH SIZE	AB SIZE	
23	FU5-8265-000		1	PLATE, WIDTH SIZE	INCH/A SIZE	
23	FU5-8266-000		1	PLATE, WIDTH SIZE	A SIZE	
23	FU5-8267-000		1	PLATE, WIDTH SIZE	INCH/AB SIZE	
24	FU5-8268-000		1	PLATE, LENGTH SIZE	AB SIZE	
24	FU5-8269-000		1	PLATE, LENGTH SIZE	INCH/A SIZE	
24	FU5-8270-000		1	PLATE, LENGTH SIZE	A SIZE	
24	FU5-8271-000		1	PLATE, LENGTH SIZE	INCH/AB SIZE	
25	FU5-9168-000		2	SCREW, STEPPED, M5		
26	XA9-1521-000		4	SCREW,RS,M3X6		
27	FU5-8284-000		1	LABEL, GLASS CLEANING POSITION	AB SIZE	
27	FU5-8285-000		1	LABEL, GLASS CLEANING POSITION	EXCEPT AB SIZE	
28	FC5-2934-000		1	COVER, FILTER		
29	FL2-0643-000		1	PANEL, REAR		
501	XB3-6400-805		AR	SCREW,RS,M4X8		
502	XB4-5400-806		AR	SCREW,P,M4X8		

FIGURE & KEY NO.	PARTS NUMBER	R A N K	Q'TY	DESCRIPTION	SERIAL NUMBER/ REMARKS	S V C
Fig.211	NPN		RF	READER FRAME ASSEMBLY		
1	FB1-7109-000		2	PULLEY		
2	FB5-3087-000		2	PULLEY		
3	FC5-2792-000		2	PLATE, GLASS SUPPORT		
4	FC5-2804-000		1	WIRE, FRONT		
5	FK2-0225-000		1	INVERTER PCB ASSEMBLY		
6	FK2-0234-000		1	CABLE, FLAT	J206,601	
7	FL2-0642-000		1	PLATE, POSITIONING		
8	FS5-9772-020		3	SCREW, HEIGHT ADJUSTING		
9	FL2-0631-000		1	CABLE, FLEXIBLE FLAT	J202,203,307,308	
10	FU5-2284-000		1	SPRING, TENSION		
11	FU5-2285-000		2	SPRING, TENSION		
12	XA9-1521-000		9	SCREW,RS,M3X6		
13	XA9-1415-000		2	SCREW, FLAT HEAD, M4		
14	XF2-4610-840		1	BELT, TIMING		
15	XG9-0508-000		2	BEARING, BALL, F688ZZ		
16	WT2-5565-000		6	CLAMP, CABLE		
17	WT2-5826-000		1	BUSHING		
18	XA9-0265-010		2	SCREW,W/WASHER,TRUSS HEAD		
19	FM2-1107-000		1	CABLE, READER POWER SUPPLY	J14,301,5100	
20	FM2-1108-000		1	CABLE, ADF LATTICE CONNECTOR	J305,312,505	
21	FK2-0149-000		3	PHOTO-INTERRUPTER, TLP1253(C6)	PS501-503J7,8,6	
22	FB5-3636-000		1	SPRING, TORSION		
23	FC5-2882-000		1	LEVER, SENSOR		
24	FK2-0237-000		1	MOTOR, STEPPING, DC	M501 J306	
25	FS5-9227-020		1	SCREW,STEPPED,M4		
26	FM2-1102-020		1	INTERFACE PCB ASSEMBLY		
27	FM2-1104-000		1	CABLE, READER POWER SUPPLY	J201,309	
28	FC5-2805-000		1	WIRE, RIGHT		
29	FL2-3153-000		1	SHAFT, DRIVE		
30	FM2-1105-000		1	CABLE, SENSOR	J6-8,310	
31	FM2-0615-000		1	MOUNT DF (L) ASSEMBLY		

FIGURE & KEY NO.	PARTS NUMBER	R A N K	Q'TY	DESCRIPTION	SERIAL NUMBER/ REMARKS	S V C
501	XB1-2400-607		AR	SCREW,MACH.,TRUSS HEAD,M4X6		
502	XB3-6400-805		AR	SCREW,RS,M4X8		
503	XB6-2400-508		AR	SETSCREW,M4X5		
504	XB7-2100-407		AR	NUT,HEX,M4		
505	XD2-1100-642		AR	RING,E		
506	XB6-7300-607		AR	SCREW,TP,M3X6		
507	XB1-2300-606		AR	SCREW,MACH.,TRUSS HEAD,M3X6		
508	XB1-2260-806		AR	SCREW,MACH.,TRUSS HEAD,M2.6X8		

FIGURE 230 VERTICAL PATH DRIVE ASSEMBLY

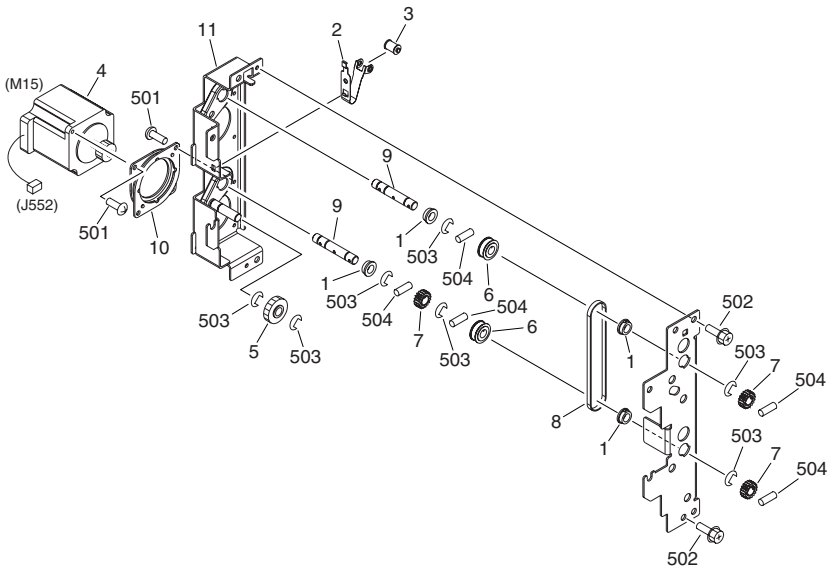


FIGURE & KEY NO.	PARTS NUMBER	R A N K	Q'TY	DESCRIPTION	SERIAL NUMBER/ REMARKS	S V C
Fig.230	FM2-0573-00U		1	RECONDITIONED VERTICAL PATH		
1	FA9-2112-000		4	BUSHING		
2	FC5-2711-000		1	SPRING, LEAF		
3	FC5-2712-000		1	ROLLER, TENSION		
4	FL2-0583-00U		1	RECONDITIONED MOTOR, STEPPING,	M15 J552	
5	FS5-0748-000		1	GEAR, IDLER, 30T		
6	FS5-3805-000		2	PULLEY, 28T		
7	FS7-0652-000		3	GEAR, 18T		
8	XF2-1612-440		1	BELT, TIMING		
9	FC5-2700-000		2	SHAFT, VERTICAL PATH DRIVE		
10	FC8-9070-000		1	MOUNT, MOTOR		
11	FL2-0587-000		1	SIDE PLATE, V. PATH DRIVE, 1		
501	XB1-2400-607		AR	SCREW,MACH.,TRUSS HEAD,M4X6		
502	XB3-6400-805		AR	SCREW,RS,M4X8		
503	XD2-1100-642		AR	RING,E		
504	XD3-2200-102		AR	PIN,DOWEL		

FIGURE 260 EXTERNAL DELIVERY DRIVE ASSEMBLY

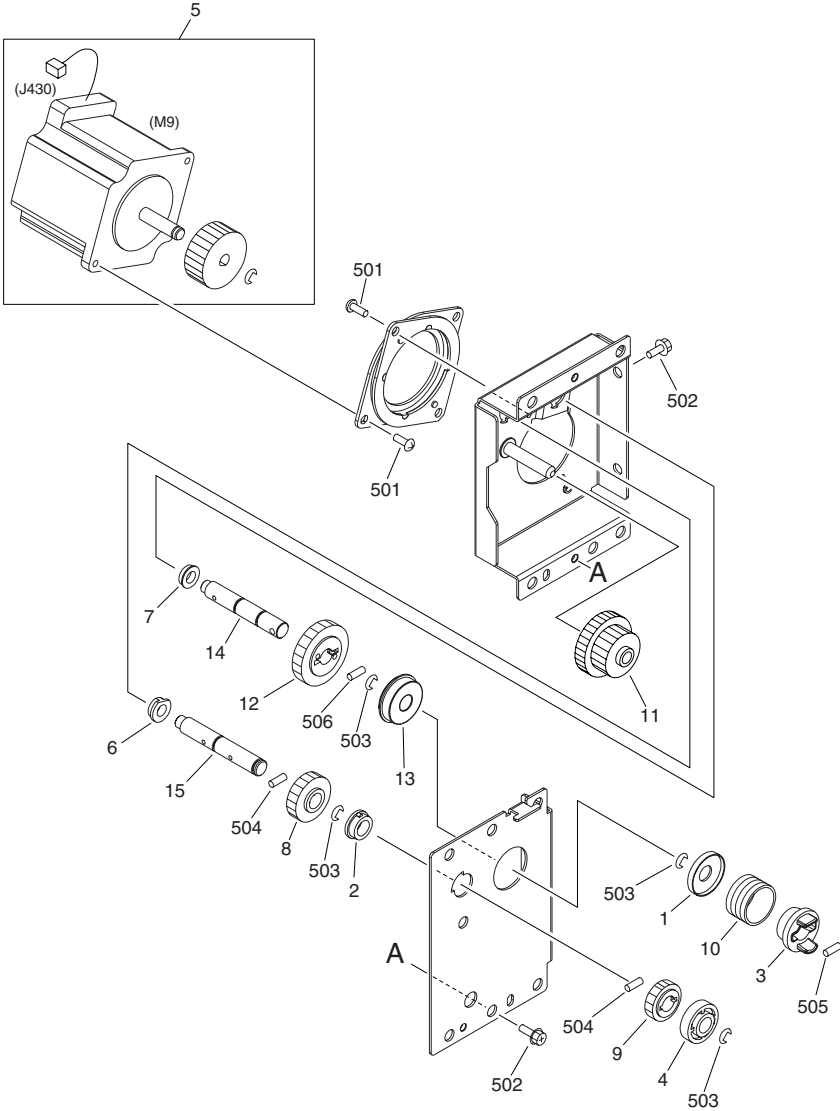


FIGURE & KEY NO.	PARTS NUMBER	R A N K	Q'TY	DESCRIPTION	SERIAL NUMBER/ REMARKS	S V C
Fig.260	FM2-0484-000		1	EXTERNAL DELIVERY DRIVE ASSY		
1	FA6-8304-000		1	WASHER, SPRING		
2	FA9-2112-000		1	BUSHING		
3	FB2-7841-000		1	COUPLING, REGISTRATION		
4	FC5-2276-000		1	ROLLER, PUSH-ON		
5	FM2-1244-00U		1	RECONDITIONED MOTOR, STEPPING	M9 J430	
6	FS1-1508-000		1	BUSHING		
7	XG9-0407-000		1	BEARING, BALL, UGF106P12ZZD4ML		
8	FS3-0942-000		1	GEAR, 24T		
9	FS5-0688-000		1	GEAR, 17T		
10	FS5-2957-000		1	SPRING, COMPRESSION		
11	FU5-0194-000		1	GEAR, 21T/29T		
12	FU5-0265-000		1	GEAR, 29T		
13	XG9-0492-000		1	BEARING, BALL, 608ZZ		
14	FC5-2249-020		1	SHAFT, DRIVE, 1		
15	FC5-2250-000		1	SHAFT, DRIVE, 2		
501	XB1-2400-607		AR	SCREW,MACH.,TRUSS HEAD,M4X6		
502	XB3-6400-805		AR	SCREW,RS,M4X8		
503	XD2-1100-642		AR	RING,E		
504	XD3-2200-102		AR	PIN,DOWEL		
505	XD3-2200-142		AR	PIN,DOWEL		
506	XD3-2300-142		AR	PIN,DOWEL		

FIGURE 261 CASSETTE PICK-UP DRIVE ASSEMBLY

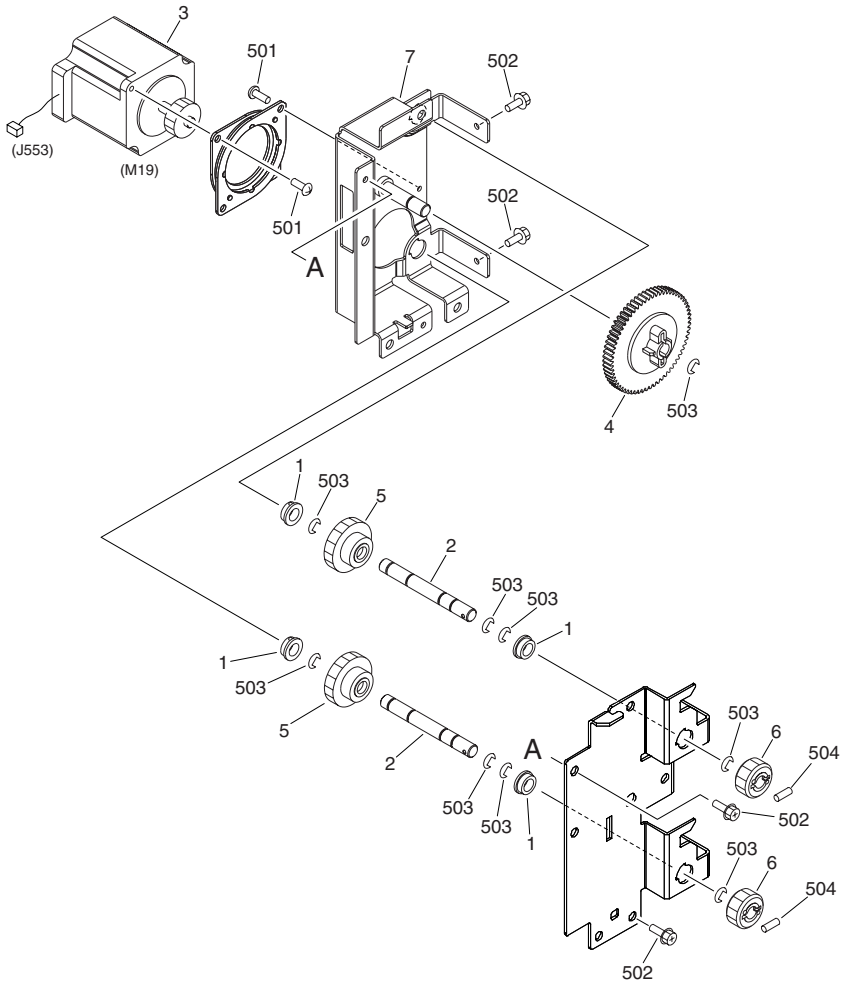


FIGURE & KEY NO.	PARTS NUMBER	R A N K	Q'TY	DESCRIPTION	SERIAL NUMBER/ REMARKS	S V C
Fig.261	FM2-0570-000		1	CASSETTE PICK-UP DRIVE ASS'Y		
1	FA9-2112-000		4	BUSHING		
2	FC5-2692-000		2	SHAFT, CASSETTE PICK-UP DRIVE		
3	FL2-0581-00U		1	RECONDITIONED MOTOR, STEPPING,		
4	FS6-0065-020		1	GEAR,64T		
5	FU5-0204-000		2	GEAR, 30T		
6	FU5-0266-000		2	GEAR, 20T		
7	FL2-0590-000		1	SIDE PLATE, CST. PICK-UP DRIVE		
501	XB1-2400-607		AR	SCREW,MACH.,TRUSS HEAD,M4X6		
502	XB3-6400-805		AR	SCREW,RS,M4X8		
503	XD2-1100-642		AR	RING,E		
504	XD3-2200-142		AR	PIN,DOWEL		

FIGURE 262 LEFT PICK-UP DRIVE ASSEMBLY

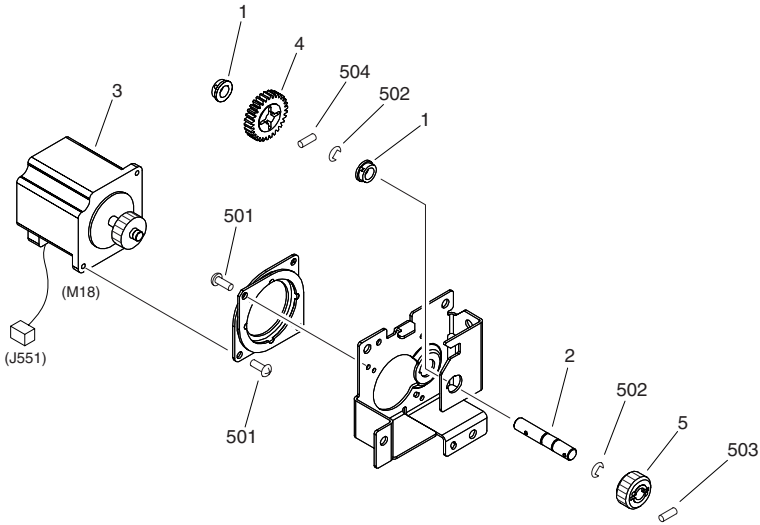


FIGURE & KEY NO.	PARTS NUMBER	RANK	Q'TY	DESCRIPTION	SERIAL NUMBER/REMARKS	SVC
Fig.262	FM2-0571-00U		1	RECONDITIONED PICK-UP DRIVE		
1	FA9-2112-000		2	BUSHING		
2	FC5-2694-000		1	SHAFT, PAPER PICK-UP DRIVE		
3	FL2-0581-00U		1	RECONDITIONED MOTOR, STEPPING,		
4	FS7-0593-000		1	GEAR, 30T		
5	FU5-0266-000		1	GEAR, 20T		
501	XB1-2400-607		AR	SCREW,MACH.,TRUSS HEAD,M4X6		
502	XD2-1100-642		AR	RING,E		
503	XD3-2200-142		AR	PIN,DOWEL		
504	XD3-2200-162		AR	PIN,DOWEL		

FIGURE 263
RIGHT PICK-UP DRIVE ASSEMBLY

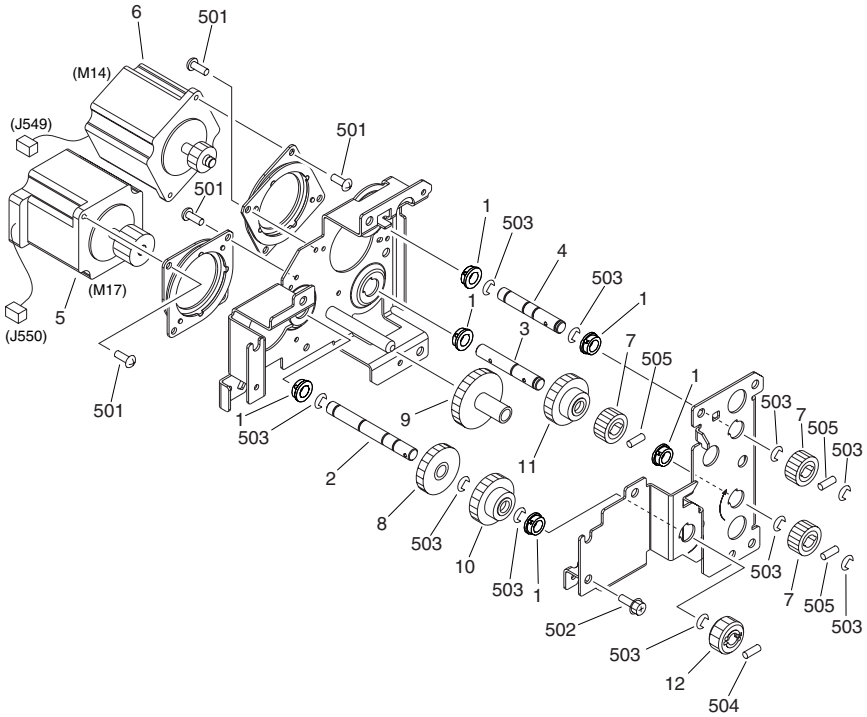


FIGURE & KEY NO.	PARTS NUMBER	R A N K	Q'TY	DESCRIPTION	SERIAL NUMBER/ REMARKS	S V C
Fig.263	FM2-0572-000		1	RIGHT PICK-UP DRIVE ASSEMBLY		
1	FA9-2112-000		6	BUSHING		
2	FC5-2697-000		1	SHAFT, PAPER PICK-UP DRIVE		
3	FC5-2698-000		1	SHAFT, VERTICAL PATH DRIVE		
4	FC5-2699-000		1	SHAFT, VERTICAL PATH DRIVE		
5	FL2-0582-00U		1	RECONDITIONED MOTOR, STEPPING,		
6	FL2-0583-00U		1	RECONDITIONED MOTOR, STEPPING,	M14 J549	
7	FS5-0873-000		3	GEAR, 30T		
8	FS6-0367-000		1	GEAR, 30T		
9	FS7-0725-000		1	GEAR, 36T		
10	FU5-0204-000		1	GEAR, 30T		
11	FU5-0205-000		1	GEAR, 30T		
12	FU5-0266-000		2	GEAR, 20T		
501	XB1-2400-607		AR	SCREW,MACH.,TRUSS HEAD,M4X6		
502	XB3-6400-805		AR	SCREW,RS,M4X8		
503	XD2-1100-642		AR	RING,E		
504	XD3-2200-142		AR	PIN,DOWEL		
505	XD3-2200-162		AR	PIN,DOWEL		

FIGURE 264 MULTI PRE-REG. DRIVE ASSEMBLY

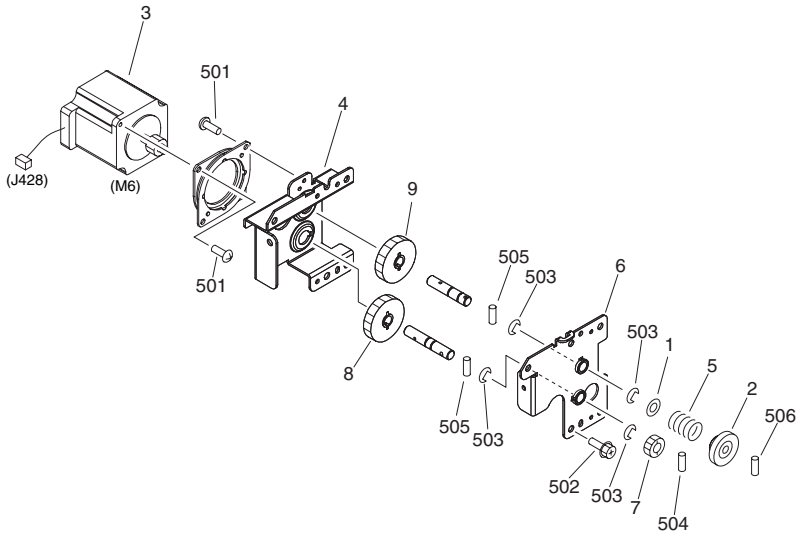


FIGURE & KEY NO.	PARTS NUMBER	RANK	Q'TY	DESCRIPTION	SERIAL NUMBER/REMARKS	SVC
Fig.264	FM2-0473-00U		1	RECONDITIONED MULTI PRE-REG.		
1	FB2-7816-000		1	HOLDER, SPRING		
2	FB5-3481-000		1	COUPLING		
3	FL2-0477-00U		1	RECONDITIONED MOTOR, STEPPING,	M6 J428	
4	FL2-1393-020		1	MOUNT, MULTI REGIST. DRIVE, U		
5	FS5-2925-000		1	SPRING, COMPRESSION		
6	FL2-1394-020		1	MOUNT, MULTI REGIST. DRIVE, L		
7	FS7-0652-000		1	GEAR, 18T		
8	FU5-0270-000		1	GEAR, 38T		
9	FU5-0262-000		1	GEAR, 44T		
501	XB1-2400-607		AR	SCREW,MACH.,TRUSS HEAD,M4X6		
502	XB3-6400-805		AR	SCREW,RS,M4X8		
503	XD2-1100-642		AR	RING,E		
504	XD3-2200-102		AR	PIN,DOWEL		
505	XD3-2200-142		AR	PIN,DOWEL		

FIGURE & KEY NO.	PARTS NUMBER	R A N K	Q'TY	DESCRIPTION	SERIAL NUMBER/ REMARKS	S V C
506	XD3-2300-122		AR	PIN,DOWEL		

FIGURE 270
DEVELOPING DRIVE ASSEMBLY

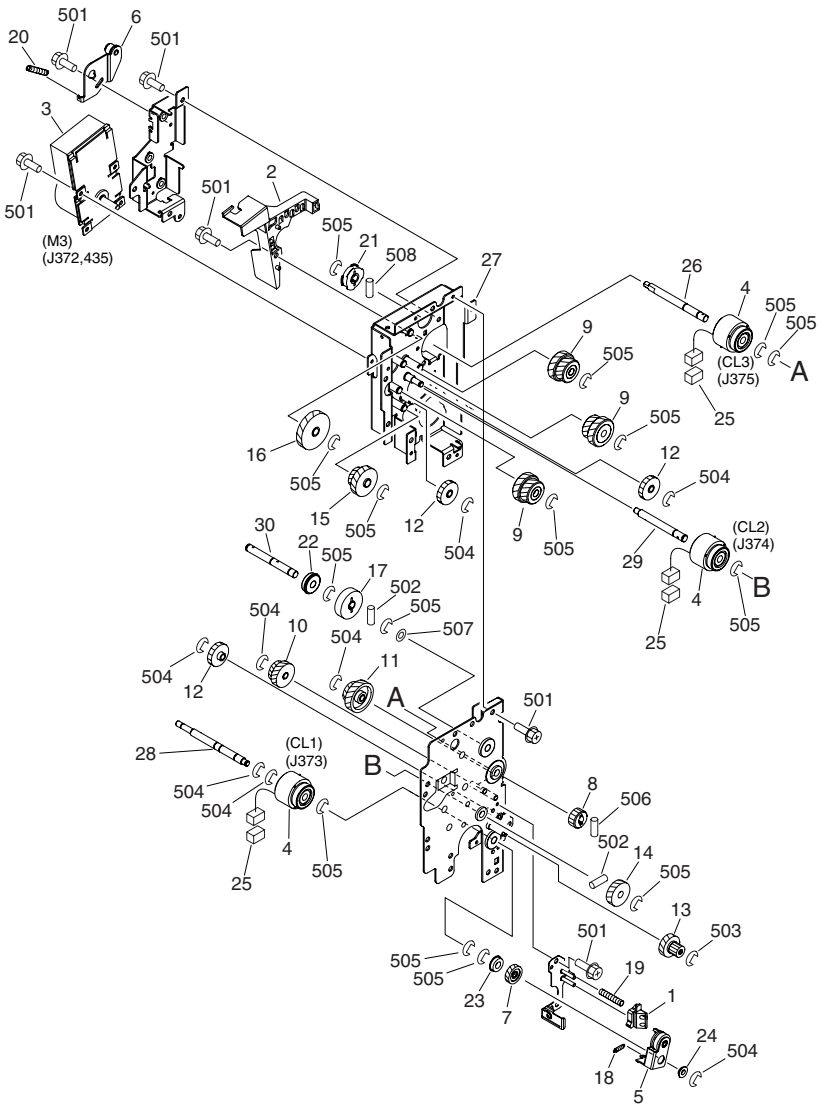


FIGURE & KEY NO.	PARTS NUMBER	R A N K	Q'TY	DESCRIPTION	SERIAL NUMBER/ REMARKS	S V C
Fig.270	FM2-0505-000		1	DEVELOPING DRIVE ASSEMBLY		
1	FC5-2042-000		1	BLOCK, SWING ARM AUXILIARY		
2	FC5-2438-000		1	COVER, DEV. MOTOR BLOCKING		
3	FK2-0022-000		1	MOTOR, DC BRUSHLESS	M3 J372,J435	
4	FK2-0033-000		3	CLUTCH, ELECTROMAGNETIC	CL1-3J373-375	
5	FL2-0467-000		1	ARM, DEVELOPING DRIVE SWING		
6	FL2-0547-000		1	PLATE, TENSIONER		
7	FU5-0145-000		1	GEAR, 23T		
8	FU5-0223-000		1	GEAR, 24T		
9	FU5-0224-000		3	GEAR, 30T/50T		
10	FU5-0225-000		1	GEAR, 25T/32T		
11	FU5-0226-000		1	GEAR, 26T/40T		
12	FU5-0227-000		3	GEAR, 30T		
13	FU5-0228-000		1	GEAR, 14T/28T		
14	FU5-0230-000		1	GEAR, 32T		
15	FU5-0231-000		1	GEAR, 25T/38T		
16	FU5-0235-000		1	GEAR, 50T		
17	FU5-0236-000		1	GEAR, 38T		
18	FU5-2123-000		1	SPRING, TENSION		
19	FU5-2124-000		1	SPRING, COMPRESSION		
20	FU5-2170-000		1	SPRING, TENSION		
21	FU5-3041-000		1	PULLEY, 36T		
22	XG9-0208-000		1	BEARING, BALL		
23	XG9-0250-000		1	BEARING, BALL		
24	XG9-0407-000		1	BEARING, BALL, UGF106P12ZZD4ML		
25	VS1-7177-002		3	CONNECTOR, SNAP TIGHT, BK	J373-375	
26	FC5-2409-000		1	SHAFT, DEVELOPING DRIVE, BLACK		
27	FL2-0545-000		1	SUPPORT, DEV. DRIVE, UPPER		
28	FC5-2410-000		1	SHAFT, DEVELOPING DRIVE, COLOR		
29	FC5-2411-000		1	SHAFT, COLOR SUPPLY DRIVE		
30	FC5-2412-000		1	SHAFT, CLEANER DRIVE PULLEY		
501	XB3-6400-805		AR	SCREW,RS,M4X8		

FIGURE & KEY NO.	PARTS NUMBER	R A N K	Q'TY	DESCRIPTION	SERIAL NUMBER/ REMARKS	S V C
502	XD3-2200-182		AR	PIN,DOWEL		
503	XD2-1100-322		AR	RING,E		
504	XD2-1100-502		AR	RING,E		
505	XD2-1100-642		AR	RING,E		
506	XD3-2200-122		AR	PIN,DOWEL		
507	XD1-1108-225		AR	SHIM		
508	XD3-2200-162		AR	PIN,DOWEL		

FIGURE 271
DRUM I.T.B. DRIVE ASSEMBLY

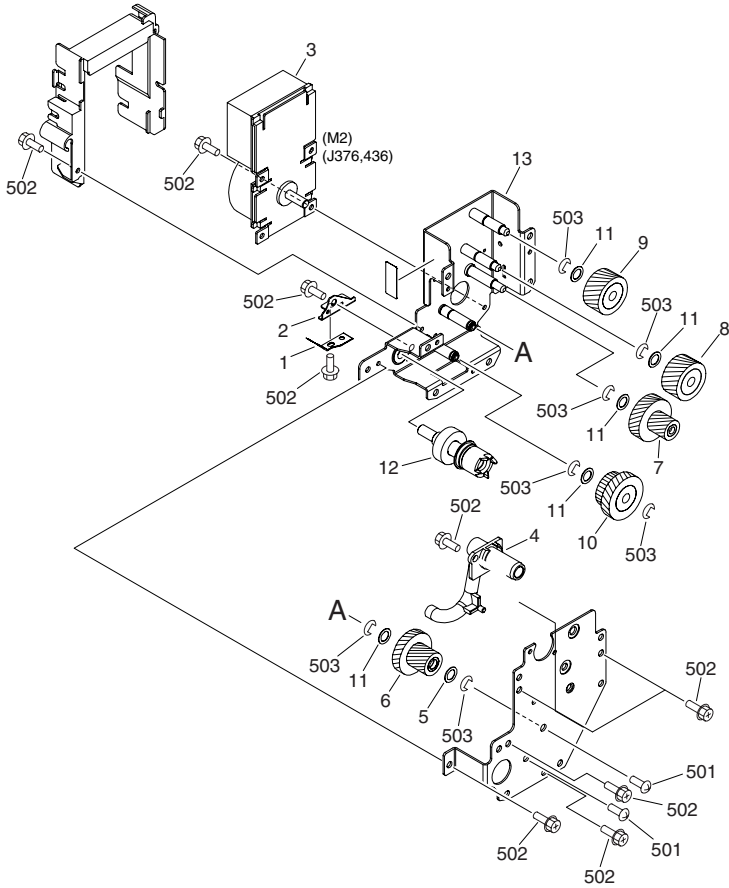
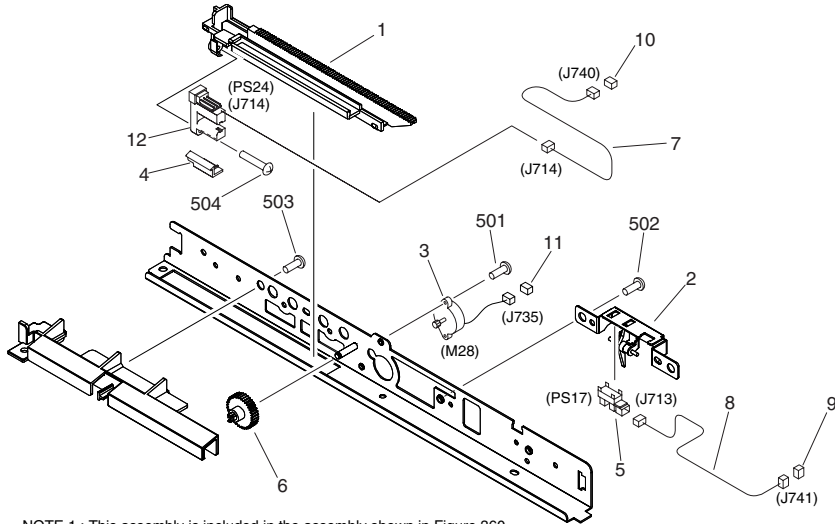


FIGURE & KEY NO.	PARTS NUMBER	RANK	Q'TY	DESCRIPTION	SERIAL NUMBER/REMARKS	SVC
Fig.271	FM2-0506-000		1	DRUM I.T.B. DRIVE ASSEMBLY		
1	FB3-7543-000		1	PLATE, STATIC CHARGE ELI.		
2	FC5-6214-000		1	PLATE, I.T.B. GROUNDING		
3	FK2-0020-000		1	MOTOR, DC	M2 J376,J436	
4	FK2-0129-000		1	CONNECTOR, POST HIGH VOLTAGE		
5	FS5-6487-000		1	WASHER		
6	FU5-0288-000		1	GEAR, 21T/54T		
7	FL3-0566-000		1	GEAR, 18T/54T		
8	FL3-0565-000		1	GEAR, 36T		
9	FL2-6971-010		1	GEAR, 36T		
10	FU5-0289-000		1	GEAR, 42T/45T		
11	XD9-0169-000		5	WASHER,WAVE		
12	FL2-0541-00U		1	RECONDITIONED SHAFT, I.T.B.		
13	FL2-0548-00U		1	RECONDITIONED MOUNT, I.T.B.		
501	XB1-2400-607		AR	SCREW,MACH.,TRUSS HEAD,M4X6		
502	XB3-6400-805		AR	SCREW,RS,M4X8		
503	XD2-1100-642		AR	RING,E		

FIGURE 272 SIDE REGIST. MOTOR ASSEMBLY



NOTE 1 : This assembly is included in the assembly shown in Figure 360.
 NOTE 2 : This assembly does not include the parts shown with key No. 10 and 11.
 注 1 : このユニットはFigure 360のユニットに含まれます。
 注 2 : このユニットにKey No. 10, 11の部品は含まれません。

FIGURE & KEY NO.	PARTS NUMBER	R A N K	Q'TY	DESCRIPTION	SERIAL NUMBER/REMARKS	S V C
Fig.272	FM2-1211-000		1	SIDE REGIST. MOTOR ASSEMBLY	SEE NOTE 1	
1	FC5-2098-000		1	RACK		
2	FF5-9341-000		1	MOUNT, DELIVERY SENSOR		
3	FK2-0163-000		1	MOTOR, STEPPING	M28 J735	
4	FC7-0114-000		1	GUIDE, REGISTRATION SENSOR		
5	FK2-0149-000		1	PHOTO-INTERRUPTER, TLP1253(C6)	PS17 J713	
6	FS6-0557-000		1	GEAR, 12T/36T		
7	FM2-0987-000		1	CABLE, SIDE REGIST. SENSOR	J714,740	
8	FM2-0994-000		1	CABLE, DUPLEXING FEEDER SENSOR	J713,741	
9	VS1-7177-003		1	CONNECTOR, SNAP TIGHT, BK	J741	
10	VS1-7177-003		1	CONNECTOR, SNAP TIGHT, BK	SEE NOTE 2J740	
11	VS1-7177-006		1	CONNECTOR, SNAP TIGHT, BK	SEE NOTE 2J735	
12	FH7-7196-020		1	IC, EE-SX419-P12 <6>	PS24 J714	
501	XB1-2300-407		AR	SCREW,MACH.,TRUSS HEAD,M3X4		
502	XB1-2400-607		AR	SCREW,MACH.,TRUSS HEAD,M4X6		

FIGURE & KEY NO.	PARTS NUMBER	R A N K	Q'TY	DESCRIPTION	SERIAL NUMBER/ REMARKS	S V C
503	XB4-7400-807		AR	SCREW,TAPPING,TRUSS HEAD.M4X8		
504	XB4-7301-207		AR	SCREW,TAPPING,TRUSS HEAD.M3X12		

FIGURE 275 HOPPER DRIVE ASSEMBLY

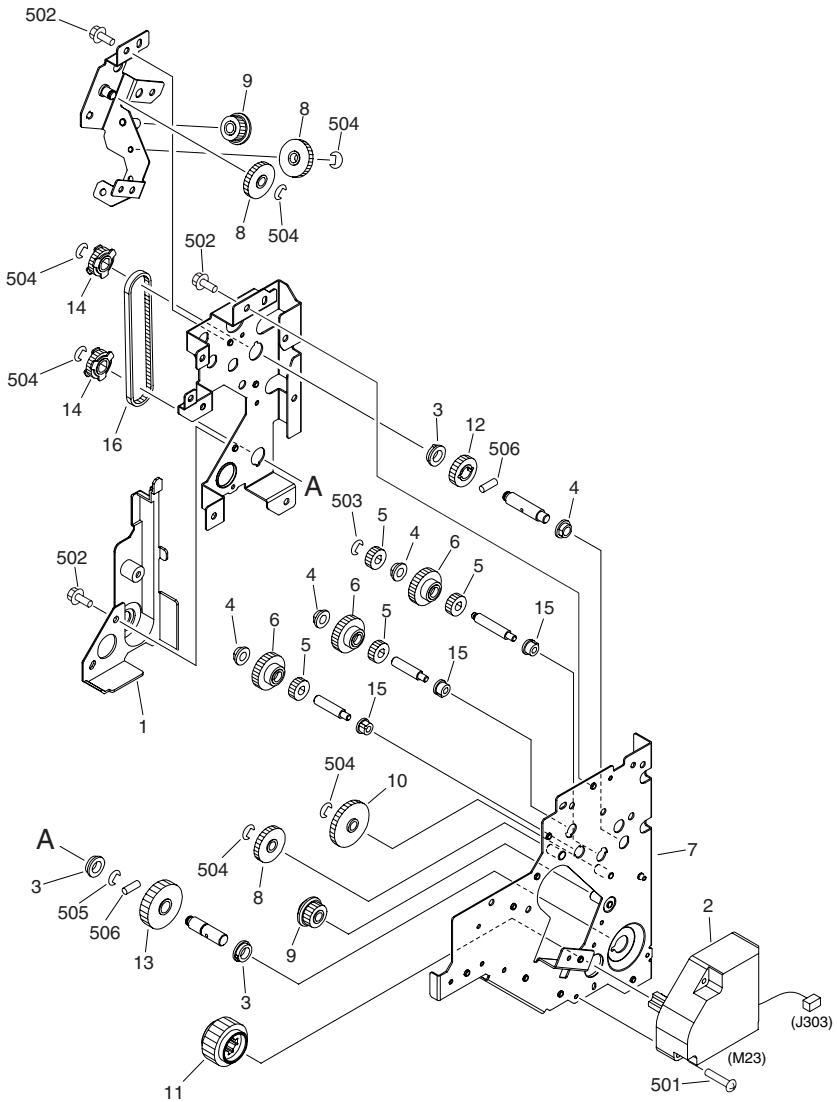
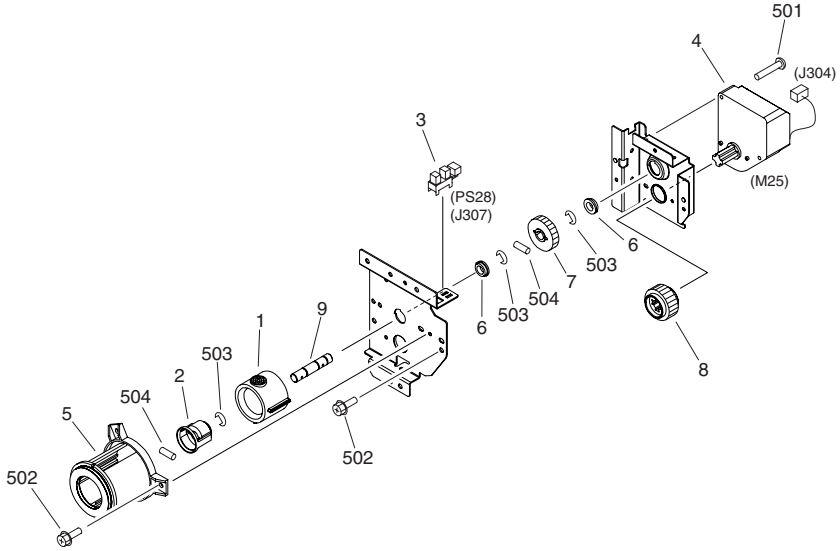


FIGURE & KEY NO.	PARTS NUMBER	RANK	Q'TY	DESCRIPTION	SERIAL NUMBER/REMARKS	SVC
Fig.275	FM2-0445-000		1	HOPPER DRIVE ASSEMBLY		
1	FC5-5100-000		1	COVER, BELT		
2	FK2-0015-000		1	MOTOR, DC24V	M23 J303	
3	FS1-1510-000		3	BUSHING		
4	FS1-1569-000		4	BUSHING		
5	FU5-0247-000		4	GEAR, 21T		
6	FU5-0248-000		3	GEAR, 28T		
7	FL2-0592-000		1	PLATE, HOPPER DRIVE, LOWER		
8	FU5-0270-000		3	GEAR, 38T		
9	FU5-0271-000		2	BEVEL GEAR, 20T/GEAR, 24T		
10	FU5-0272-000		1	GEAR, 50T		
11	FU5-0273-000		1	GEAR, 35T		
12	FU5-0274-000		1	GEAR, 23T		
13	FU5-0275-000		1	GEAR, 37T		
14	FU5-3039-000		2	PULLEY, 20T		
15	RS5-1308-000		3	BUSHING		
16	XF2-4307-540		1	BELT, TIMING		
501	XB1-2302-007		AR	SCREW,MACH.,TRUSS HEAD,M3X20		
502	XB3-6300-605		AR	SCREW,RS,M3X6		
503	XD2-1100-322		AR	RING,E		
504	XD2-1100-502		AR	RING,E		
505	XD2-1100-642		AR	RING,E		
506	XD3-2200-122		AR	PIN,DOWEL		

FIGURE 276 BOTTLE DRIVE ASSEMBLY



NOTE : This assembly is included in the assembly shown in Figure 621.
注 : このユニットはFigure 621のユニットに含まれます。

FIGURE & KEY NO.	PARTS NUMBER	R A N K	Q'TY	DESCRIPTION	SERIAL NUMBER/REMARKS	S V C
Fig.276	FM2-0440-00U		1	RECONDITIONED BOTTLE DRIVE	SEE NOTE	
1	FC5-1904-000		1	GUIDE, RELEASE		
2	FC5-1912-000		1	CAP, DOCKING POINT		
3	FK2-0149-000		1	PHOTO-INTERRUPTER, TLP1253(C6)	PS28 J307	
4	FK2-0015-000		1	MOTOR, DC24V	M25 J304	
5	FL2-0596-000		1	RAIL, RING		
6	FS1-1510-000		2	BUSHING		
7	FU5-0199-000		1	GEAR, 36T		
8	FU5-0273-000		1	GEAR, 35T		
9	FC5-1913-000		1	SHAFT, BOTTLE DRIVE		
501	XB1-2302-007		AR	SCREW,MACH.,TRUSS HEAD,M3X20		
502	XB3-6300-605		AR	SCREW,RS,M3X6		
503	XD2-1100-642		AR	RING,E		
504	XD3-2200-142		AR	PIN,DOWEL		

FIGURE & KEY NO.	PARTS NUMBER	R A N K	Q'TY	DESCRIPTION	SERIAL NUMBER/ REMARKS	S V C
Fig.280	FM2-0496-000		1	FIXING DRIVE ASSEMBLY		
1	FC5-2365-000		1	STOPPER, BELT		
2	FC5-2367-000		1	PULLEY, TENSIONER		
3	FK2-0182-000		1	MOTOR, STEPPING, DC	M22 J758	
4	FK2-0124-000		1	FAN	FM6 J720	
5	FK2-0149-000		2	PHOTO-INTERRUPTER, TLP1253(C6)	PS20,21 J752,751	
6	FL2-0399-000		1	MOTOR, BRUSHLESS, DC	M4 J759,J761	
7	FS5-6487-000		1	WASHER		
8	FS7-0665-000		1	GEAR, 60T		
9	FC6-4757-000		1	GEAR, 22T/85T		
10	FU5-0181-000		1	GEAR, 41T/PULLEY, 30T		
11	FU5-0182-000		1	GEAR, 27T/61T		
12	FU5-0214-000		1	GEAR, 16T/42T		
13	XF2-4113-040		1	BELT, TIMING, COGGED		
14	FC5-2290-000		1	ARM, SOLENOID		
15	FK2-0156-000		1	SOLENOID	SL2 J756	
16	FU5-2131-000		1	SPRING, TENSION		
17	FM2-0991-000		1	CABLE, FIXING DRIVE	J719,720,750,751,J752,756,758,759,J760,761	
18	VS1-7177-002		1	CONNECTOR, SNAP TIGHT, BK	J756	
19	VS1-7177-003		2	CONNECTOR, SNAP TIGHT, BK	J719,760	
20	VS1-7177-004		1	CONNECTOR, SNAP TIGHT, BK	J758	
21	VS1-7164-020		1	CONNECTOR, SNAP TIGHT, 20P, W	J750	
501	XB6-7300-605		AR	SCREW,TP,M3X6		
502	XB2-4404-005		AR	SCREW,W/WASHER,M4X40		
503	XB3-6400-805		AR	SCREW,RS,M4X8		
504	XD2-1100-322		AR	RING,E		
505	XD2-1100-502		AR	RING,E		
506	XD2-1100-642		AR	RING,E		
507	XB1-2300-407		AR	SCREW,MACH.,TRUSS HEAD,M3X4		

FIGURE 282 WASTE TONER DRIVE ASSEMBLY

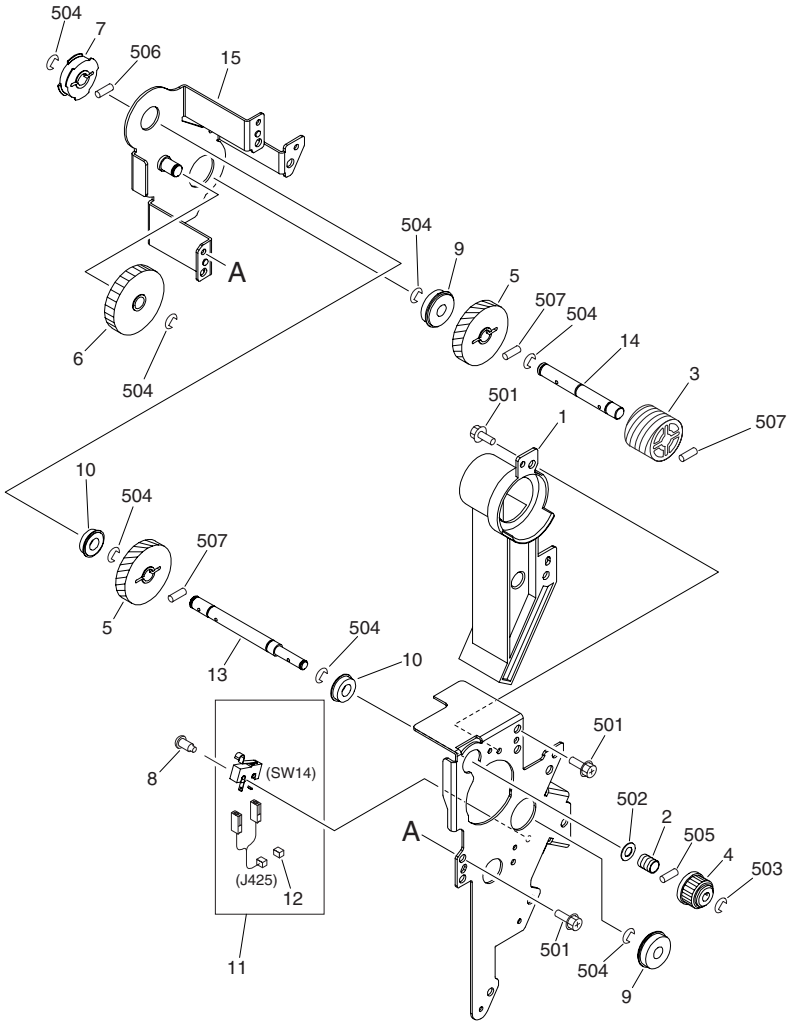
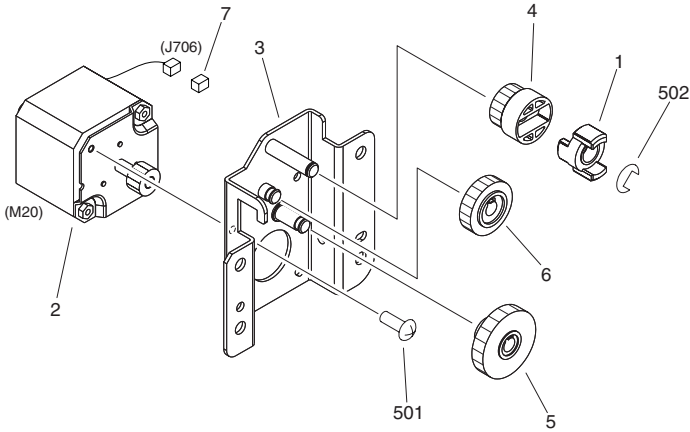


FIGURE & KEY NO.	PARTS NUMBER	R A N K	Q'TY	DESCRIPTION	SERIAL NUMBER/ REMARKS	S V C
Fig.282	FM2-0507-000		1	WASTE TONER DRIVE ASSEMBLY		
1	FL2-1391-000		1	CAP, WASTE TONER		
2	FS5-2959-000		1	SPRING, COMPRESSION		
3	FS6-0064-000		1	WORM GEAR		
4	FU5-0229-000		1	GEAR, 17T		
5	FU5-0232-000		2	GEAR, 46T		
6	FU5-0235-000		1	GEAR, 50T		
7	FU5-3042-000		1	PULLEY, 44T		
8	XA9-0944-000		1	SCREW, STEPPED, M2		
9	XG9-0492-000		2	BEARING, BALL, 608ZZ		
10	XG9-0508-000		2	BEARING, BALL, F688ZZ		
11	FM2-0953-000		1	CABLE, TONER SWITCH		
12	VS1-7177-002		1	CONNECTOR, SNAP TIGHT, BK	J425	
13	FC5-2425-000		1	SHAFT, CLEANER INPUT		
14	FC5-2426-000		1	SHAFT, WASTE TONER INPUT		
15	FL2-0549-000		1	SUPPORT, WASTE TONER DRIVE, U.		
501	XB3-6400-805		AR	SCREW, RS, M4X8		
502	XD1-1106-235		AR	SHIM		
503	XD2-1100-502		AR	RING, E		
504	XD2-1100-642		AR	RING, E		
505	XD3-2200-102		AR	PIN, DOWEL		
506	XD3-2200-162		AR	PIN, DOWEL		
507	XD3-2200-202		AR	PIN, DOWEL		

FIGURE 290 SEC. TRANSFER CAM DRIVE ASS'Y



NOTE : This assembly does not include the part shown with key No. 7.
 注 : このユニットにKey No. 7の部品は含まれません。

FIGURE & KEY NO.	PARTS NUMBER	RANK	Q'TY	DESCRIPTION	SERIAL NUMBER/REMARKS	SVC
Fig.290	FM2-0474-00U		1	RECONDITIONED SEC. TRANSFER		
1	FC5-2199-000		1	COUPLING, CAM		
2	FK2-0180-000		1	MOTOR, STEPPING, DC	M20 J706	
3	FL2-0490-000		1	MOUNT, SWING CAM DRIVE		
4	FU5-0159-000		1	GEAR, 33T		
5	FU5-0162-000		1	GEAR, 56T/22T		
6	FU5-0213-000		1	GEAR, 44T		
7	VS1-7177-006		1	CONNECTOR, SNAP TIGHT, BK	SEE NOTEJ706	
501	XB1-2300-407		AR	SCREW,MACH.,TRUSS HEAD,M3X4		
502	XD2-1100-502		AR	RING,E		

FIGURE 302 RIGHT PAPER STOCK ASSEMBLY

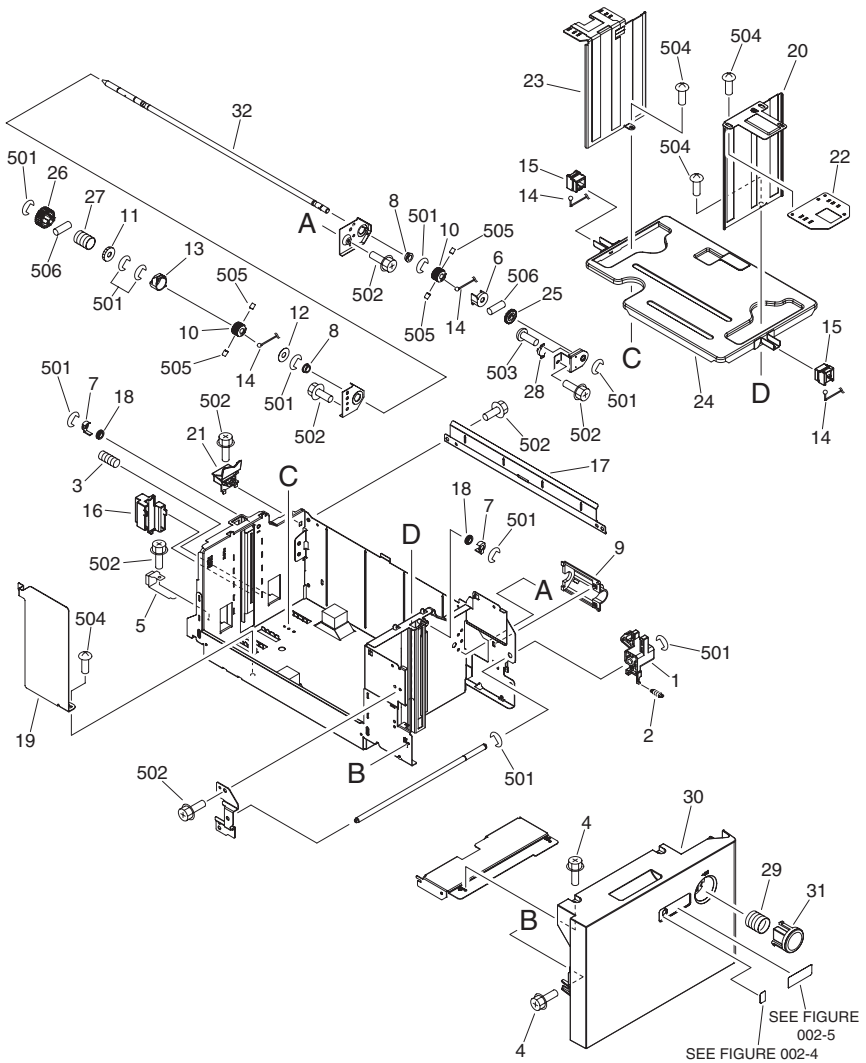


FIGURE & KEY NO.	PARTS NUMBER	R A N K	Q'TY	DESCRIPTION	SERIAL NUMBER/ REMARKS	S V C
Fig.302	FM2-0552-000		1	RIGHT PAPER STOCK ASSEMBLY		
1	FC5-2621-000		1	HOOK, RIGHT		
2	FS6-2983-040		1	SPRING, TENSION		
3	FU5-2176-020		1	SPRING, COMPRESSION		
4	XA9-1520-000		4	SCREW,RS,M4X10		
5	FL2-0577-000		1	STOPPER, DECK		
6	FA6-9988-020		1	FLANGE, LIFTER		
7	FA6-9989-000		2	FLANGE, IDLER		
8	FA9-2112-000		2	BUSHING		
9	FC5-2601-000		1	COVER, PULLEY		
10	FB2-8465-000		2	PULLEY, LIFTING		
11	FC1-5061-000		1	GEAR, 28T		
12	FC1-5080-000		1	PLATE, LIMIT, WIRE		
13	FC1-5081-000		1	FLANGE, REAR		
14	FC5-2603-000		2	WIRE, LIFTING		
15	FC5-2605-000		2	BLOCK, SLIDE		
16	FC5-2607-000		1	BLOCK, REMNANT DETECT		
17	FC5-2608-000		1	PLATE, SEPARATION		
18	FC5-2609-000		2	PULLEY		
19	FC5-2611-000		1	PLATE, PAPER SIDE END, REAR		
20	FC5-2612-000		1	PLATE, PAPER SIDE END, FRONT		
21	FC5-2623-020		1	GUIDE, JAM		
22	FC5-2626-000		1	PLATE, PAPER SIDE END ADJUST		
23	FL2-0572-000		1	PLATE, PAPER SIDE END, REAR		
24	FL2-0573-000		1	PLATE, LIFTER		
25	FS4-0012-000		1	GEAR, 27T		
26	FS4-0160-000		1	GEAR, 28T		
27	FS4-2136-000		1	SPRING, COMPRESSION		
28	XH9-0082-000		1	DAMPER, OIL		
29	FB5-3365-000		1	SPRING, COMPRESSION		
30	FC5-2647-000		1	PANEL, RIGHT FRONT		
31	FL2-2469-00U		1	RECONDITIONED BUTTON CASSETTE		

FIGURE & KEY NO.	PARTS NUMBER	R A N K	Q'TY	DESCRIPTION	SERIAL NUMBER/ REMARKS	S V C
32	FC5-2606-000		1	SHAFT, LIFTER		
501	XD2-1100-642		AR	RING,E		
502	XB3-6400-805		AR	SCREW,RS,M4X8		
503	XB1-2200-407		AR	SCREW,MACH.,TRUSS HEAD,M2X4		
504	XB1-2400-607		AR	SCREW,MACH.,TRUSS HEAD,M4X6		
505	XB6-2300-408		AR	SETSCREW,M3X4		
506	XD3-2200-122		AR	PIN,DOWEL		

FIGURE 303 LEFT PAPER STOCK ASSEMBLY

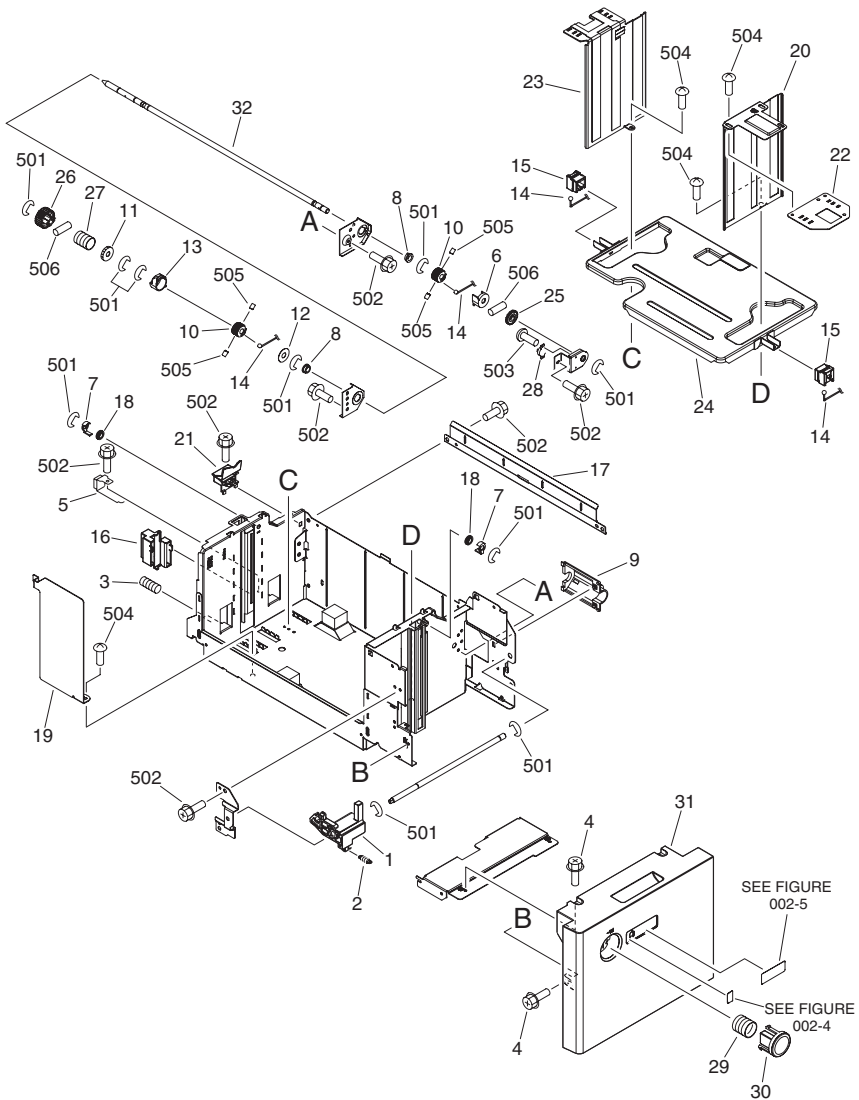


FIGURE & KEY NO.	PARTS NUMBER	R A N K	Q'TY	DESCRIPTION	SERIAL NUMBER/ REMARKS	S V C
Fig.303	FM2-0553-000		1	LEFT PAPER STOCK ASSEMBLY		
1	FC5-2624-000		1	HOOK, LEFT		
2	FS6-2983-040		1	SPRING, TENSION		
3	FU5-2176-020		1	SPRING, COMPRESSION		
4	XA9-1520-000		4	SCREW,RS,M4X10		
5	FL2-0577-000		1	STOPPER, DECK		
6	FA6-9988-020		1	FLANGE, LIFTER		
7	FA6-9989-000		2	FLANGE, IDLER		
8	FA9-2112-000		2	BUSHING		
9	FC5-2601-000		1	COVER, PULLEY		
10	FB2-8465-000		2	PULLEY, LIFTING		
11	FC1-5061-000		1	GEAR, 28T		
12	FC1-5080-000		1	PLATE, LIMIT, WIRE		
13	FC1-5081-000		1	FLANGE, REAR		
14	FC5-2603-000		2	WIRE, LIFTING		
15	FC5-2605-000		2	BLOCK, SLIDE		
16	FC5-2607-000		1	BLOCK, REMNANT DETECT		
17	FC5-2608-000		1	PLATE, SEPARATION		
18	FC5-2609-000		2	PULLEY		
19	FC5-2611-000		1	PLATE, PAPER SIDE END, REAR		
20	FC5-2612-000		1	PLATE, PAPER SIDE END, FRONT		
21	FC5-2623-020		1	GUIDE, JAM		
22	FC5-2626-000		1	PLATE, PAPER SIDE END ADJUST		
23	FL2-0572-000		1	PLATE, PAPER SIDE END, REAR		
24	FL2-0573-000		1	PLATE, LIFTER		
25	FS4-0012-000		1	GEAR, 27T		
26	FS4-0160-000		1	GEAR, 28T		
27	FS4-2136-000		1	SPRING, COMPRESSION		
28	XH9-0082-000		1	DAMPER, OIL		
29	FB5-3365-000		1	SPRING, COMPRESSION		
30	FL2-2469-00U		1	RECONDITIONED BUTTON CASSETTE		
31	FC5-2653-000		1	PANEL, LEFT FRONT		

FIGURE & KEY NO.	PARTS NUMBER	R A N K	Q'TY	DESCRIPTION	SERIAL NUMBER/ REMARKS	S V C
32	FC5-2606-000		1	SHAFT, LIFTER		
501	XD2-1100-642		AR	RING,E		
502	XB3-6400-805		AR	SCREW,RS,M4X8		
503	XB1-2200-407		AR	SCREW,MACH.,TRUSS HEAD,M2X4		
504	XB1-2400-607		AR	SCREW,MACH.,TRUSS HEAD,M4X6		
505	XB6-2300-408		AR	SETSCREW,M3X4		
506	XD3-2200-122		AR	PIN,DOWEL		

FIGURE 305 CASSETTE HEATER ASSEMBLY

100V

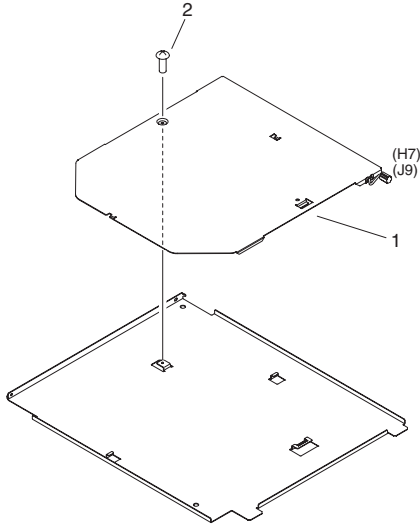


FIGURE & KEY NO.	PARTS NUMBER	RANK	Q'TY	DESCRIPTION	SERIAL NUMBER/REMARKS	SVC
Fig.305	NPN		RF	CASSETTE HEATER ASSEMBLY	100V	
1	FH7-4740-000		1	HEATER, CASSETTE	H7 J9	
2	XA9-1031-000		1	SCREW,MACH.,TRUSS HEAD,M4X8		

FIGURE 311 RIGHT PAPER PICK-UP ASSEMBLY

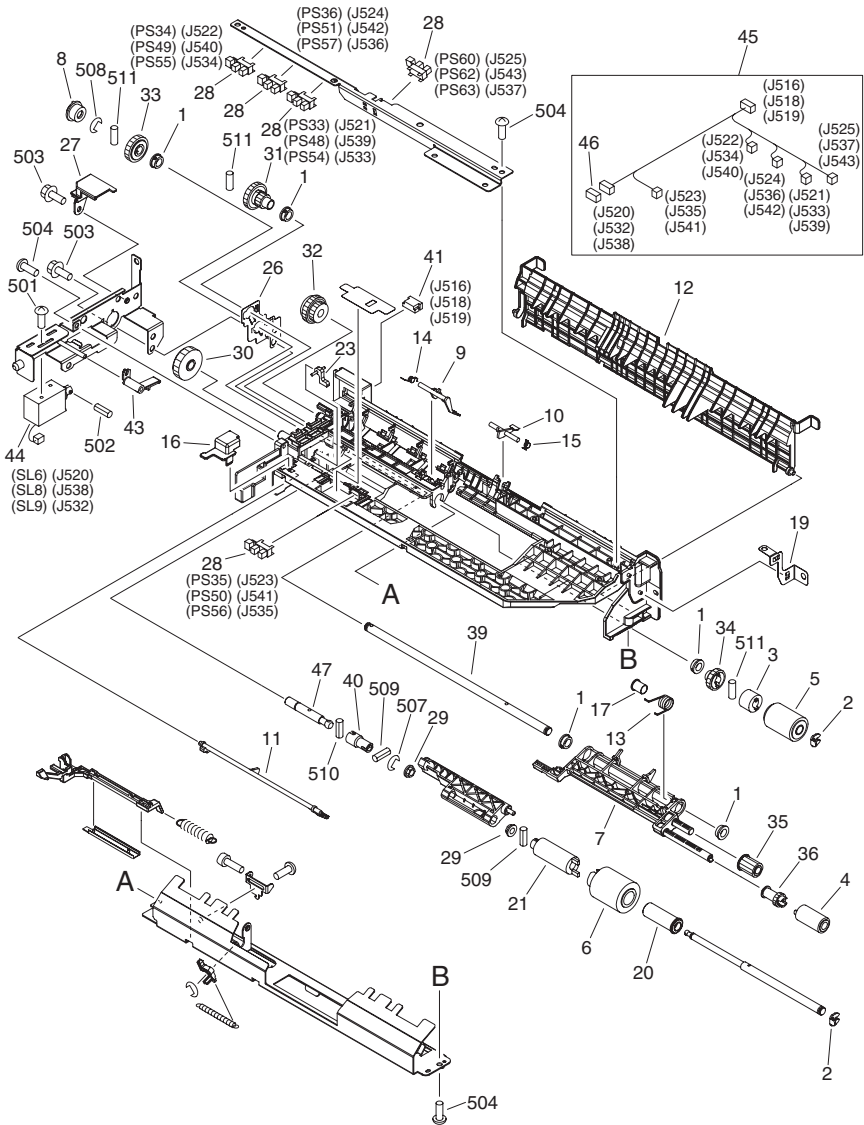


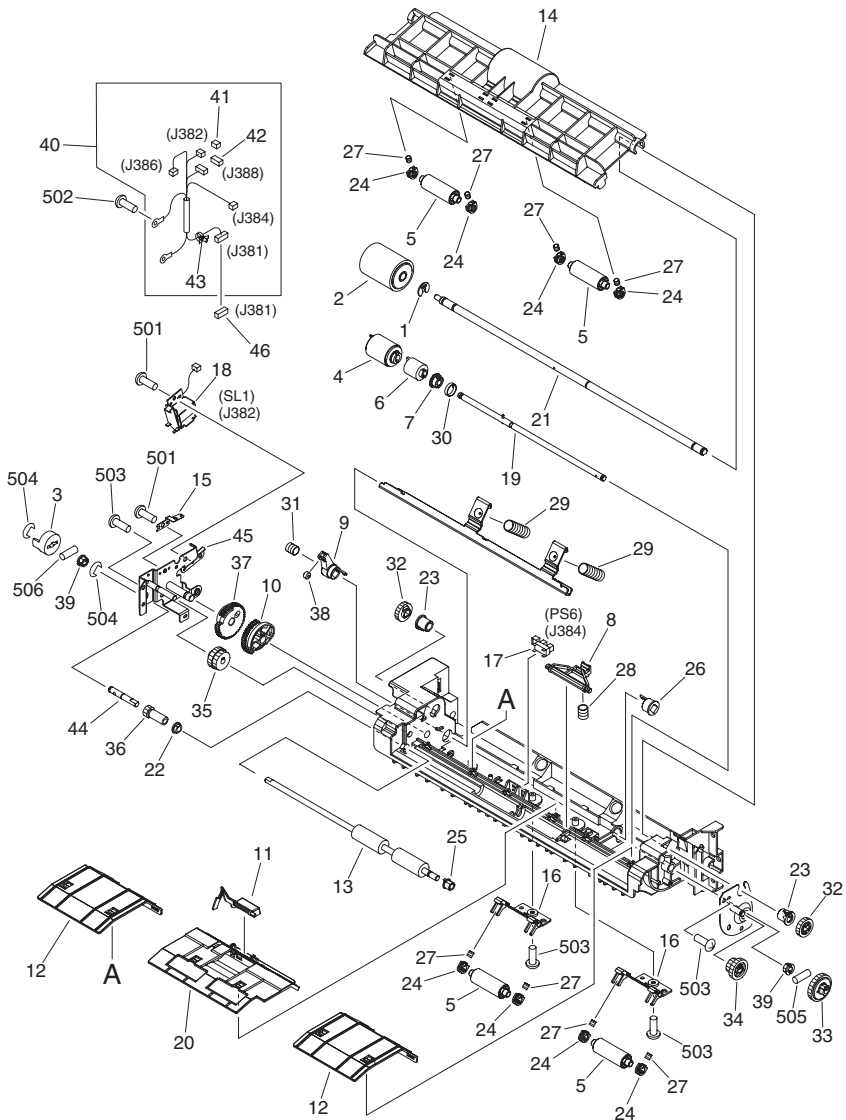
FIGURE & KEY NO.	PARTS NUMBER	R A N K	Q'TY	DESCRIPTION	SERIAL NUMBER/ REMARKS	S V C
Fig.311	FM2-0540-000		3	RIGHT PAPER PICK-UP ASSEMBLY		
1	FA9-2112-000		15	BUSHING		
2	FB4-2007-000		2	RING, RETAINING		
3	FB4-9029-000		1	CLUTCH, ONE-WAY, 1		
4	FC5-2524-000		1	ROLLER, PAPER PICK-UP		
5	FC5-2526-000		1	ROLLER, PAPER FEEDER		
6	FC5-2528-000		1	ROLLER, SEPARATION		
7	FC8-7809-000		1	HOLDER, ROLLER SUPPORT		
8	FC5-2533-000		1	CLUTCH, ONE-WAY		
9	FC5-2535-000		1	FLAG, PAPER PICK-UP SENSOR		
10	FC8-7812-000		1	FLAG, VERTICAL PATH SENSOR		
11	FC5-2537-010		1	LEVER, PAPER SENSOR		
12	FC5-2538-000		1	GUIDE, SWING		
13	FC5-2541-000		1	SPRING, TORSION		
14	FC5-2542-000		1	SPRING, TORSION		
15	FC8-7813-000		1	SPRING, TORSION		
16	FC5-2547-000		1	COVER, SOLENOID CABLE		
17	FC5-2548-000		1	COLLAR, SPRING		
19	FC5-2573-000		1	PLATE, GROUNDING		
20	FL2-1401-000		1	HOLDER, BEARING		
21	FC5-6245-000		1	LIMITER, TORQUE		
23	FC5-2641-000		1	ARM, RELEASE, PAPER PICK-UP		
26	FC5-6211-000		1	PLATE, SHAFT GROUNDING, FEEDER		
27	FC5-6260-000		1	COVER, CONNECTOR		
28	FK2-0149-000		5	PHOTO-INTERRUPTER, TLP1253(C6)	PS33-36,48-51,54-57,PS60,62,63J521-524,539-542J533-536,525,543,537	
29	FS1-1569-000		2	BUSHING		
30	FU5-0183-000		1	GEAR, 30T		
31	FU5-0184-000		1	GEAR, 16T/25T		
32	FU5-0185-000		1	GEAR, 18T/32T		
33	FU5-0186-000		1	GEAR, 24T		

FIGURE & KEY NO.	PARTS NUMBER	RANK	Q'TY	DESCRIPTION	SERIAL NUMBER/REMARKS	SVC
34	FU5-0187-000		1	GEAR, 50T		
35	FU5-0188-000		1	GEAR, 34T		
36	FU5-0263-000		1	GEAR, 32T		
39	FU5-5133-000		1	SHAFT, PAPER FEED		
40	FC6-4358-000		1	JOINT, RETARD		
41	VS1-7164-018		1	CONNECTOR, SNAP TIGHT, 18P, W	J516,518,519	
43	FC5-2540-000		1	ARM, PICK-UP		
44	FK2-0116-000		1	SOLENOID	SL6,8,9 J520,538,532	
45	FM2-0963-000		1	CABLE, DECK PICK-UP, RIGHT	J516,518-525,532-543	
46	VS1-7177-002		1	CONNECTOR, SNAP TIGHT, BK	J520,532,538	
47	FU5-5135-000		1	SHAFT, DRIVE, SEPARATION		
501	XB1-2300-407		AR	SCREW,MACH.,TRUSS HEAD,M3X4		
502	XD3-1300-102		AR	PIN,SPRING		
503	XB3-6400-805		AR	SCREW,RS,M4X8		
504	XB4-7400-807		AR	SCREW,TAPPING,TRUSS HEAD,M4X8		
507	XD2-1100-502		AR	RING,E		
508	XD2-1100-642		AR	RING,E		
509	XD3-1200-122		AR	PIN,SPRING		
510	XD3-1250-142		AR	PIN,SPRING		
511	XD3-2300-142		AR	PIN,DOWEL		

FIGURE & KEY NO.	PARTS NUMBER	R A N K	Q'TY	DESCRIPTION	SERIAL NUMBER/ REMARKS	S V C
Fig.312	FM2-0554-000		1	LEFT PAPER PICK-UP ASSEMBLY		
1	FA9-2112-000		5	BUSHING		
2	FB4-2007-000		2	RING, RETAINING		
3	FB4-9029-000		1	CLUTCH, ONE-WAY, 1		
4	FC5-2524-000		1	ROLLER, PAPER PICK-UP		
5	FC5-2526-000		1	ROLLER, PAPER FEEDER		
6	FC5-2528-000		1	ROLLER, SEPARATION		
7	FL2-2921-000		1	HOLDER, ROLLER SUPPORT		
8	FC5-2533-000		1	CLUTCH, ONE-WAY		
9	FC5-2535-000		1	FLAG, PAPER PICK-UP SENSOR		
10	FC5-2537-010		1	LEVER, PAPER SENSOR		
11	FC5-2541-000		1	SPRING, TORSION		
12	FC5-2542-000		1	SPRING, TORSION		
13	FC5-2547-000		1	COVER, SOLENOID CABLE		
14	FC5-2548-000		1	COLLAR, SPRING		
16	FL2-1401-000		1	HOLDER, BEARING		
17	FC5-6245-000		1	LIMITER, TORQUE		
19	FC5-2633-000		1	GUIDE, LOWER		
20	FC5-2635-000		1	LEVER, FIXING/FEEDER RELEASE		
21	FL2-8916-000		1	FLAG, DECK PATH SENSOR, LEFT		
22	FC5-2638-000		1	SPRING, TORSION		
24	FC5-2641-000		1	ARM, RELEASE, PAPER PICK-UP		
27	FC5-6211-000		1	PLATE, SHAFT GROUNDING, FEEDER		
28	FK2-0149-000		5	PHOTO-INTERRUPTER, TLP1253(C6)	PS40-43,47J527-531	
29	FS1-1569-000		2	BUSHING		
30	FU5-0183-000		1	GEAR, 30T		
31	FU5-0184-000		1	GEAR, 16T/25T		
32	FU5-0185-000		1	GEAR, 18T/32T		
33	FU5-0186-000		1	GEAR, 24T		
34	FU5-0187-000		1	GEAR, 50T		
35	FU5-0188-000		1	GEAR, 34T		
36	FU5-0263-000		1	GEAR, 32T		

FIGURE & KEY NO.	PARTS NUMBER	R A N K	Q'TY	DESCRIPTION	SERIAL NUMBER/ REMARKS	S V C
37	FU5-2142-000		1	SPRING, TENSION		
40	FU5-5133-000		1	SHAFT, PAPER FEED		
41	FC6-4358-000		1	JOINT, RETARD		
42	FC5-2540-000		1	ARM, PICK-UP		
43	FK2-0116-000		1	SOLENOID	SL7 J526	
44	FM2-0964-000		1	CABLE, DECK PICK-UP, LEFT	J517,526-531	
45	VS1-7177-002		1	CONNECTOR, SNAP TIGHT, BK	J526	
46	VS1-7164-018		1	CONNECTOR, SNAP TIGHT, 18P, W	J517	
47	FU5-5135-000		1	SHAFT, DRIVE, SEPARATION		
501	XB1-2300-407		AR	SCREW,MACH.,TRUSS HEAD,M3X4		
502	XB1-2400-807		AR	SCREW,MACH.,TRUSS HEAD,M4X8		
503	XB4-7400-807		AR	SCREW,TAPPING,TRUSS HEAD,M4X8		
506	XD2-1100-242		4	RING,E		
507	XD2-1100-502		AR	RING,E		
508	XD2-1100-642		AR	RING,E		
509	XD3-1200-122		AR	PIN,SPRING		
510	XD3-1250-142		AR	PIN,SPRING		
511	XD3-2300-142		AR	PIN,DOWEL		
513	XD3-1300-102		AR	PIN,SPRING		

FIGURE 315 MULTI P. PICK-UP MOUNT ASSEMBLY



NOTE 1 : This assembly is included in the assembly shown in Figure 140.

NOTE 2 : This assembly does not include the part shown with key No. 46.

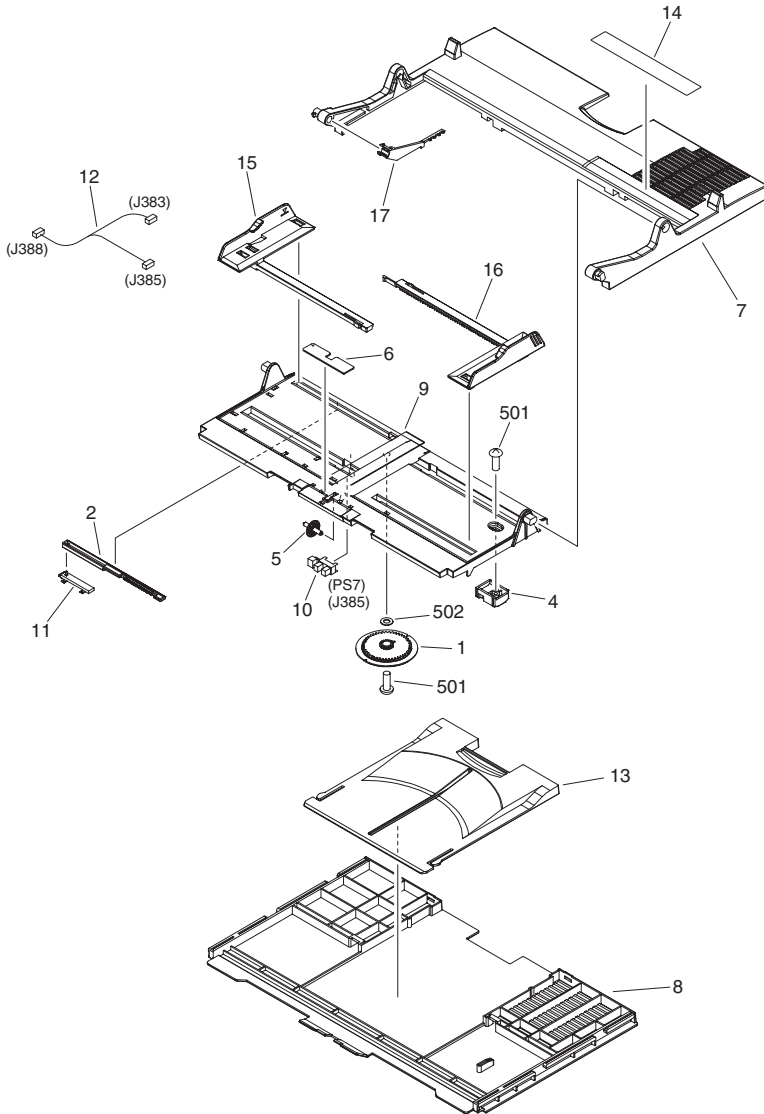
注 1 : このユニットはFigure 140のユニットに含まれます。

注 2 : このユニットにKey No. 46の部品は含まれません。

FIGURE & KEY NO.	PARTS NUMBER	R A N K	Q'TY	DESCRIPTION	SERIAL NUMBER/ REMARKS	S V C
Fig.315	FM2-0470-010		1	MULTI P. PICK-UP MOUNT ASS'Y	SEE NOTE 1	
1	FA4-1159-000		1	RING, RETAINING		
2	FB1-8581-000		1	ROLLER, PAPER PICK-UP		
2	FB1-8581-000		1	ROLLER, PAPER PICK-UP		
3	FB2-7540-000		1	BUSHING		
4	FB5-0873-000		1	ROLLER, SEPARATION		
5	FB6-3313-000		4	ROLLER, PAPER FEED		
6	FB6-3410-000		1	LIMITER, TORQUE		
7	FB6-3463-000		1	CLUTCH		
8	FB6-3464-000		1	HOLDER, SEPARATION ROLLER		
9	FB6-3466-000		1	CAM, JOINT		
10	FB6-3467-000		1	GEAR, 27T		
11	FL2-2925-000		1	FLAG, PAPER SENSOR		
12	FC5-2149-000		2	GUIDE, PAPER FEED, OUTER		
13	FC5-2151-000		1	ROLLER, PRE-REGISTRATION, U.		
14	FC5-2153-000		1	GUIDE, MULTI PAPER PICK-UP		
15	FC5-2179-000		1	PLATE, M.P. GROUNDING, REAR		
16	FC5-2666-000		2	HOLDER, ROLLER		
17	FK2-0149-000		1	PHOTO-INTERRUPTER, TLP1253(C6)	PS6 J384	
18	FK2-0115-000		1	SOLENOID	SL1 J382	
19	FL3-0568-000		1	SHAFT, PAPER PICK-UP ROLLER		
20	FL2-0493-000		1	GUIDE, PAPER FEED, MIDDLE		
21	FL2-0602-000		1	SHAFT, ROLLER		
22	FS1-1569-000		1	BUSHING		
23	FS5-1209-000		2	BUSHING		
24	FS5-1595-000		8	BLOCK, ROLLER		
25	FS5-1597-000		1	BUSHING		
26	FS6-1058-000		1	BUSHING		
27	FU6-2924-000		8	SPRING, COMPRESSION		
28	FU6-2925-000		1	SPRING, COMPRESSION		
29	FU6-2926-000		2	SPRING, COMPRESSION		
30	FC7-5167-000		1	SPRING, TORSION		

FIGURE & KEY NO.	PARTS NUMBER	R A N K	Q'TY	DESCRIPTION	SERIAL NUMBER/ REMARKS	S V C
31	FU6-2927-000		1	SPRING, COMPRESSION		
32	FU3-0296-000		2	GEAR, 24T		
33	FU3-0297-000		1	GEAR, 36T		
34	FU3-0298-000		1	GEAR, 27T/18T		
35	FU5-0157-000		1	GEAR, 27T/24T		
36	FU5-0158-000		1	GEAR, 13T		
37	FU5-0256-000		1	GEAR, 48T		
38	FC5-5078-000		1	ROLLER, ARM		
39	RS5-1567-000		2	BUSHING		
40	FM2-0948-000		1	CABLE, MULTI UNIT	J381,382,384,J386,388	
41	VS1-7177-002		1	CONNECTOR, SNAP TIGHT, BK	J382	
42	VS1-7177-006		1	CONNECTOR, SNAP TIGHT, BK	J388	
43	WT2-5565-000		1	CLAMP, CABLE		
44	FC5-2156-020		1	SHAFT, MULTI PAPER PICK-UP		
45	FL2-0487-000		1	PLATE, M. PAPER PICK-UP, REAR		
46	VS1-7173-014		1	CONNECTOR, SNAP TIGHT, 14P, W	SEE NOTE 2J381	
501	XB1-2300-607		AR	SCREW,MACH.,TRUSS HEAD,M3X6		
502	XB1-2400-607		AR	SCREW,MACH.,TRUSS HEAD,M4X6		
503	XB4-5300-807		AR	SCREW,P,M3X8		
504	XD2-1100-502		AR	RING,E		
505	XD3-2200-142		AR	PIN,DOWEL		
506	XD3-2300-122		AR	PIN,DOWEL		

FIGURE 316 MULTI PAPER PICK-UP TRAY ASSEMBLY



NOTE 1 : This assembly is included in the assembly shown in Figure 140.

NOTE 2 : This assembly does not include the part shown with key No. 14.

注 1 : このユニットはFigure 140のユニットに含まれます。

注 2 : このユニットにKey No. 14の部品は含まれません。

FIGURE & KEY NO.	PARTS NUMBER	R A N K	Q'TY	DESCRIPTION	SERIAL NUMBER/ REMARKS	S V C
Fig.316	FM2-0469-000		1	MULTI PAPER PICK-UP TRAY ASSY	SEE NOTE 1	
1	FB6-3456-000		1	GEAR, 46T/20T		
2	FB6-3457-000		1	RACK		
4	FB6-3459-000		1	BLOCK, SIDE REGIST. ADJUSTING		
5	FB6-3508-000		1	ROLLER, PAPER DETECT		
6	FB6-4937-000		1	SHEET, SEPARATION		
7	FC5-2141-000		1	PANEL, MULTI TRAY, UPPER		
8	FC5-2142-000		1	PANEL, MULTI TRAY, LOWER		
9	FC5-2143-000		1	PLATE, PAPER LIFTING		
10	FK2-0149-000		1	PHOTO-INTERRUPTER, TLP1253(C6)	PS7 J385	
11	FH7-7600-000		1	SLIDE VOLUME SENSOR UNIT		
12	FM2-0990-000		1	CABLE, TRAY	J383,385,388	
13	FC5-5159-000		1	TRAY, AUXILIARY		
14	FU5-8091-000		1	LABEL, MANUAL FEED SIZE	SEE NOTE 2100V	
14	FU5-8100-000		1	LABEL, MANUAL FEED SIZE	SEE NOTE 2120V	
14	FU5-8102-000		1	LABEL, MANUAL FEED SIZE	SEE NOTE 2230V JKL,JKM,JKS	
14	FU5-8101-000		1	LABEL, MANUAL FEED SIZE	SEE NOTE 2230V JKN,JKU	
15	FC5-5160-000		1	PLATE, PAPER SIDE END, REAR		
16	FC5-5161-000		1	PLATE, PAPER SIDE END, FRONT		
17	FC5-5162-000		1	COVER, MULTI CABLE		
501	XB4-5400-807		AR	SCREW,P,M4X8		
502	XD1-1106-238		AR	SHIM		

FIGURE 317 REVERSE ROLLER ASSEMBLY

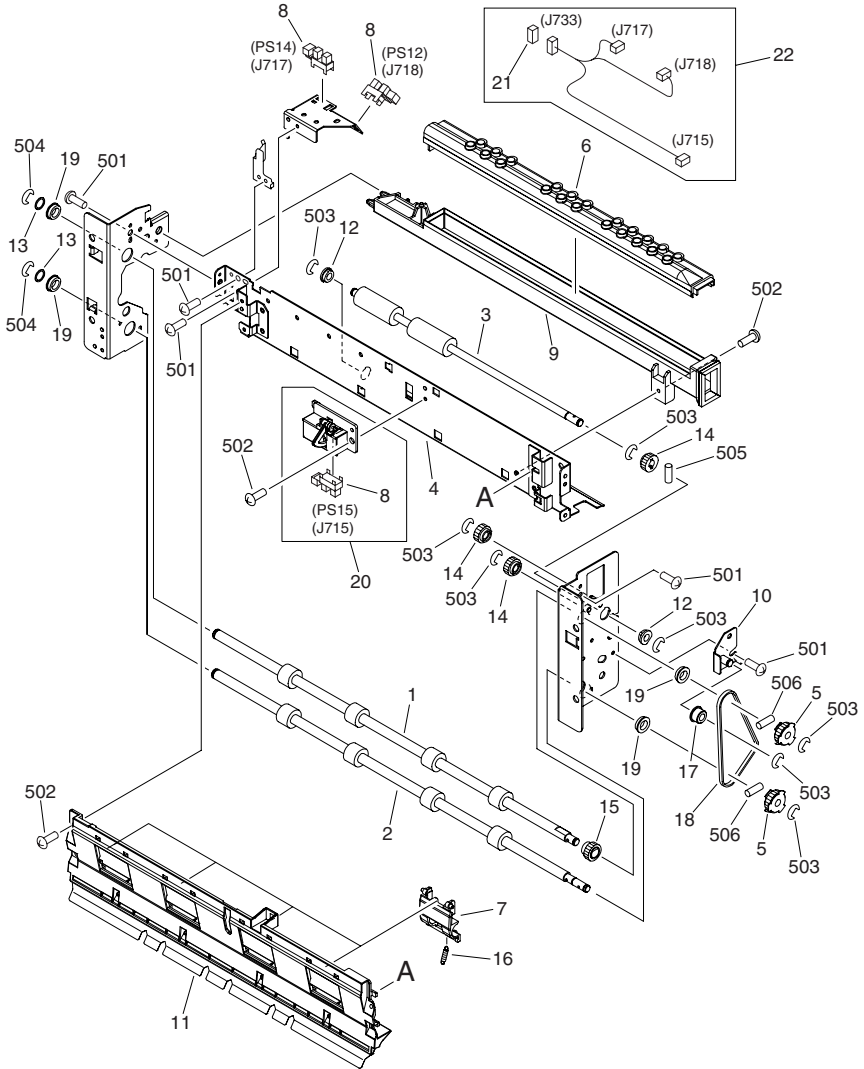


FIGURE & KEY NO.	PARTS NUMBER	R A N K	Q'TY	DESCRIPTION	SERIAL NUMBER/ REMARKS	S V C
Fig.317	FM2-0485-000		1	REVERSE ROLLER ASSEMBLY		
1	FC5-2253-000		1	ROLLER, INVERTER DRIVE, UPPER		
2	FC5-2254-000		1	ROLLER, INVERTER DRIVE, LOWER		
3	FC5-2255-000		1	ROLLER, DUPLEX INLET DRIVE		
4	FC5-2258-02U		1	RECONDITIONED GUIDE, DUPLEX		
5	FC5-2261-000		2	PULLEY, 29T		
6	FC5-2395-000		1	DUCT, UPPER		
7	FC5-2662-000		4	FLAPPER, REVERSE ROLLER, FRONT		
8	FK2-0149-000		3	PHOTO-INTERRUPTER, TLP1253(C6)	PS12,14,15J718,717,715	
9	FL2-0503-000		1	DUCT, LOWER		
10	FL2-0504-000		1	SUPPORT, TENSIONER		
11	FL2-0505-000		1	GUIDE, REV. VERT. PATH, RIGHT		
12	FS1-1508-000		2	BUSHING		
13	FS5-6487-000		2	WASHER		
14	FU5-0259-000		3	GEAR, 16T		
15	FU5-0260-000		1	GEAR, 16T		
16	FU5-2166-000		4	SPRING, TENSION		
17	FU5-3038-000		1	PULLEY, 18T		
18	XF2-4111-040		1	BELT, TIMING		
19	XG9-0507-000		4	BEARING, BALL, MF128ZZ		
20	FM2-0486-000		1	REV. VERT. PATH SENSOR ASS'Y		
21	VS1-7173-009		1	CONNECTOR, SNAP TIGHT, 9P, W	J733	
22	FM2-0978-000		1	CABLE, REVERSE UNIT	J715,717,718,733	
501	XB1-2300-407		AR	SCREW,MACH.,TRUSS HEAD,M3X4		
502	XB2-8300-607		AR	SCREW,W/WASHER,M3X6		
503	XD2-1100-502		AR	RING,E		
504	XD2-1100-642		AR	RING,E		
505	XD3-2200-082		AR	PIN,DOWEL		
506	XD3-2200-142		AR	PIN,DOWEL		

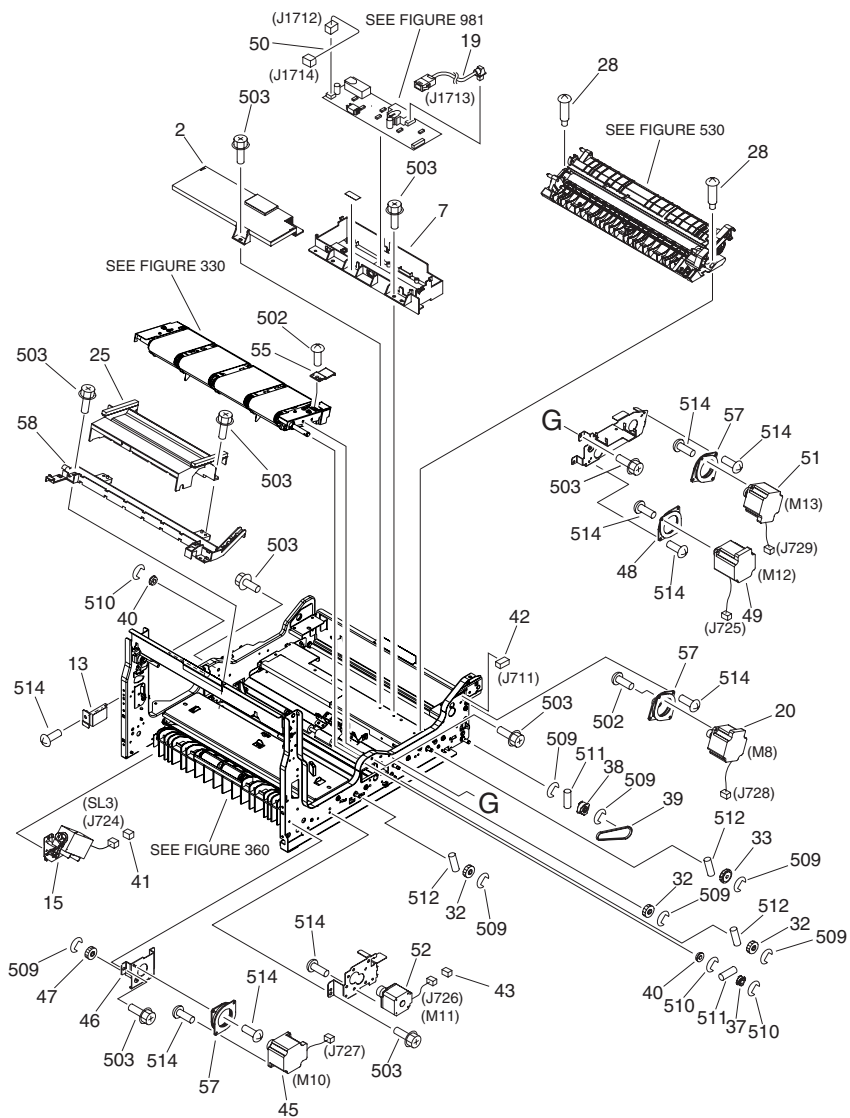


FIGURE & KEY NO.	PARTS NUMBER	R A N K	Q'TY	DESCRIPTION	SERIAL NUMBER/ REMARKS	S V C
Fig.320	NPN		RF	FIXING FEEDER ASSEMBLY		
1	FC5-2048-000		1	SPRING, COMPRESSION		
2	FC5-2060-000		1	COVER, HIGH VOLTAGE		
3	FC5-2061-000		1	SUPPORT, LOCK		
4	FC5-2077-000		1	SHAFT, RELEASE		
5	FC5-2106-020		1	FLAG, INTERLOCK SENSOR		
6	FC5-2108-000		2	CAM, PRESSURE		
7	FC5-2114-000		1	MOUNT, HIGH VOLTAGE PCB		
8	FC5-2206-000		1	LINK, FRONT		
9	FC5-2207-000		1	LINK, REAR		
10	FC5-2257-00U		1	RECONDITIONED GUIDE, DUPLEXING		
11	FC5-6333-000		1	GUIDE, DUPLEX REVERSE, LOWER		
12	FC5-2386-000		1	HANDLE, TRANSFER FRAME, LOWER		
13	FC5-2665-000		1	COVER, CONNECTOR		
14	FC5-5149-000		1	WIRE, LIFT		
15	FM2-0584-00U		1	RECONDITIONED SOLENOID	SL3 J724	
16	FC5-5170-000		1	PLATE, GROUNDING		
17	FC5-6248-020		1	COVER, LIFT WIRE SPRING		
18	FC5-6283-000		1	PLATE, DUPLEXING GROUNDING		
19	FK2-0136-000		1	CABLE, HIGH VOLTAGE	J1713	
20	FL2-0476-000		1	MOTOR, STEPPING, DC	M8 J728	
21	FL2-0502-000		1	SUPPORT, DELIVERY DOOR, FRONT		
22	FL2-0599-000		1	SUPPORT, DELIVERY DOOR, REAR		
23	FL2-0600-000		1	LINK, FRONT		
24	FL2-0604-000		1	DUCT, DELIVERY FAN, FRONT		
25	FL2-0580-000		1	DUCT, PAPER FEEDER LOWER		
26	FL2-1160-020		1	ARM, RELEASE		
27	FL2-1175-000		1	LINK, REAR		
28	FS1-9167-000		2	SCREW, STEPPED, M4		
29	FU5-9198-000		2	SCREW, STEPPED, M4		
30	FU5-9035-000		1	SCREW, STEPPED, M3X3		
31	FS5-1474-000		2	BUSHING		

FIGURE & KEY NO.	PARTS NUMBER	RANK	Q'TY	DESCRIPTION	SERIAL NUMBER/REMARKS	SVC
32	FU5-0209-000		3	GEAR, 22T		
33	FU5-0210-000		1	GEAR, 32T		
34	FU5-0257-000		1	GEAR, 28T		
35	FU5-2154-000		1	SPRING, COMPRESSION		
36	FU5-2174-000		1	SPRING, TENSION		
37	FU5-3036-000		1	PULLEY, 28T		
38	FU5-3037-000		1	PULLEY, 36T		
39	XF2-4110-632		1	BELT, TIMING, COGGED		
40	XG9-0508-000		2	BEARING, BALL, F688ZZ		
41	VS1-7177-002		2	CONNECTOR, SNAP TIGHT, BK	J723,724	
42	VS1-7173-013		1	CONNECTOR, SNAP TIGHT, 13P, W	J711	
43	VS1-7177-006		1	CONNECTOR, SNAP TIGHT, BK	J726	
44	FM2-0488-00U		1	RECONDITIONED FLAPPER SOLENOID		
45	FL2-0478-00U		1	RECONDITIONED MOTOR, STEPPING	M10 J727	
46	FL2-0605-000		1	MOUNT, REVERSE MOTOR		
47	FU5-0264-000		1	GEAR, 22T		
48	FC8-9070-000		1	MOUNT, MOTOR		
49	FL2-0479-000		1	MOTOR, STEPPING, DC	M12 J725	
50	FM2-1007-000		1	CABLE, HIGH VOLTAGE CONNECT	J1712,1714	
51	FL2-0480-00U		1	RECONDITIONED MOTOR, STEPPING,		
52	FK2-0181-000		1	MOTOR, STEPPING, DC	M11 J726	
53	FM2-0984-000		1	CABLE, DRAWER, 2	J403,762	
54	FM2-0983-000		1	CABLE, DRAWER, 1	J404,732	
55	FC5-5169-000		1	PLATE, CABLE RETAINING		
56	FC9-8425-000		1	LEVER, GUIDE		
57	FC9-7038-000		3	DAMPER, MOTOR, 2		
58	FM2-0463-000		1	FEEDER FRAME CABLE ASSEMBLY		
59	FC5-2080-000		1	MOUNT, DRAWER CONNECTOR, 1		
501	XB1-2400-807		AR	SCREW,MACH.,TRUSS HEAD,M4X8		
502	XB1-2300-607		AR	SCREW,MACH.,TRUSS HEAD,M3X6		
503	XB3-6400-805		AR	SCREW,RS,M4X8		
504	XD3-1300-202		AR	PIN,SPRING		

FIGURE & KEY NO.	PARTS NUMBER	RANK	Q'TY	DESCRIPTION	SERIAL NUMBER/REMARKS	SVC
505	XB4-7400-807		AR	SCREW,TAPPING,TRUSS HEAD,M4X8		
506	XB6-7300-607		AR	SCREW,TP,M3X6		
507	XD1-1110-225		2	SHIM		
508	XB2-8401-007		AR	SCREW,W/WASHER,M4X10		
509	XD2-1100-502		AR	RING,E		
510	XD2-1100-642		AR	RING,E		
511	XD3-2200-122		AR	PIN,DOWEL		
512	XD3-2200-142		AR	PIN,DOWEL		
513	XD3-2200-162		AR	PIN,DOWEL		
514	XB1-2400-607		AR	SCREW,MACH.,TRUSS HEAD,M4X6		
515	XB2-8400-607		AR	SCREW,W/WASHER,M4X6		

FIGURE 325 REGISTRATION MOUNT ASSEMBLY

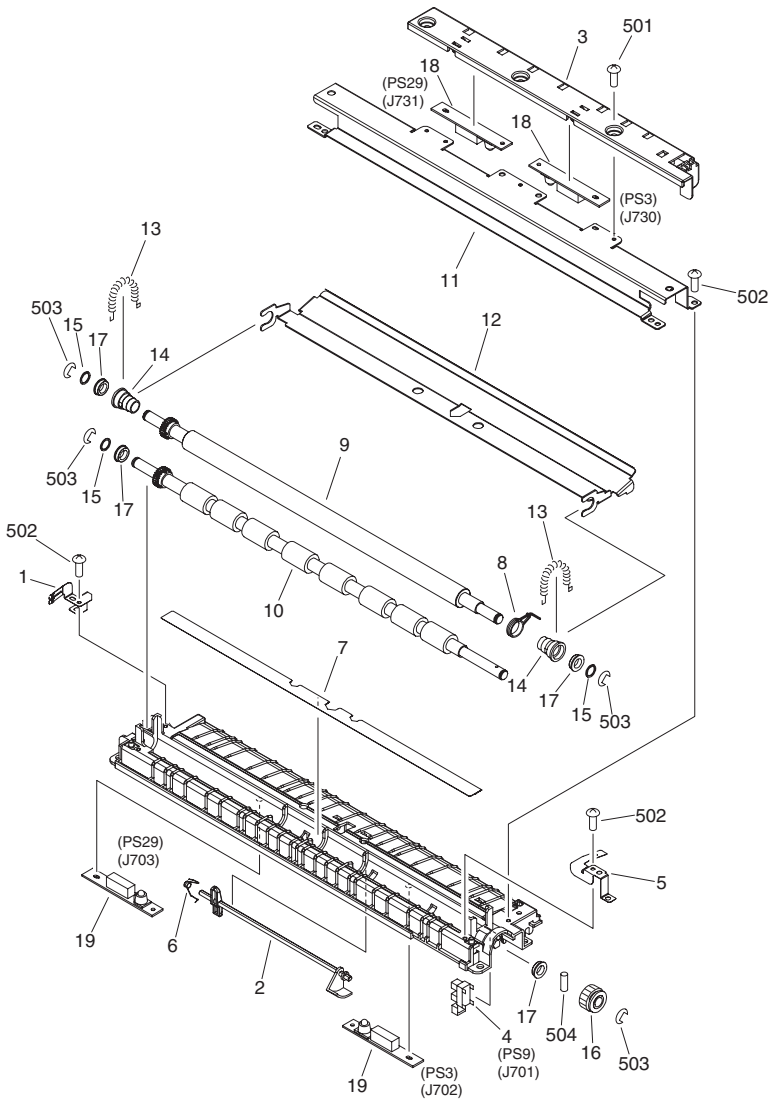


FIGURE & KEY NO.	PARTS NUMBER	RANK	Q'TY	DESCRIPTION	SERIAL NUMBER/REMARKS	SVC
Fig.325	FM2-0472-000		1	REGISTRATION MOUNT ASSEMBLY		
1	FC5-2174-000		1	PLATE, REGIST. GROUNDING, REAR		
2	FL2-0578-000		1	FLAG, REGISTRATION SENSOR		
3	FC5-2200-000		1	COVER, SENSOR		
4	FK2-0149-000		1	PHOTO-INTERRUPTER, TLP1253(C6)	PS9 J701	
5	FC5-2182-000		1	PLATE, REGIST. GROUNDING, F.		
6	FC5-2190-000		1	SPRING, TORSION		
7	FC5-2195-000		1	SHEET, REGISTRATION		
8	FC5-2197-000		1	SPRING, TORSION		
9	FL2-0488-000		1	ROLLER, REGISTRATION, UPPER		
10	FL2-0489-000		1	ROLLER, REGISTRATION, LOWER		
11	FL2-1176-00U		1	RECONDITIONED GUIDE, REGIST.,		
12	FL2-1177-000		1	GUIDE, REGISTRATION, R. UPPER		
13	FS5-2906-000		2	SPRING, TENSION		
14	FS5-6322-000		2	BUSHING		
15	FS5-6487-000		3	WASHER		
16	FU5-0160-000		1	GEAR, 21T		
17	XG9-0507-000		4	BEARING, BALL, MF128ZZ		
18	FM2-0850-000		2	OHP SENSOR PCB ASSEMBLY	PS3,29 J730,731	
19	FM2-0851-000		2	OHP SENSOR PCB ASSEMBLY	PS3,29 J702,703	
501	XB6-7300-607		AR	SCREW,TP,M3X6		
502	XB4-5300-807		AR	SCREW,P,M3X8		
503	XD2-1100-642		AR	RING,E		
504	XD3-2200-142		AR	PIN,DOWEL		

FIGURE 330 PRE-FIXING FEEDER ASSEMBLY

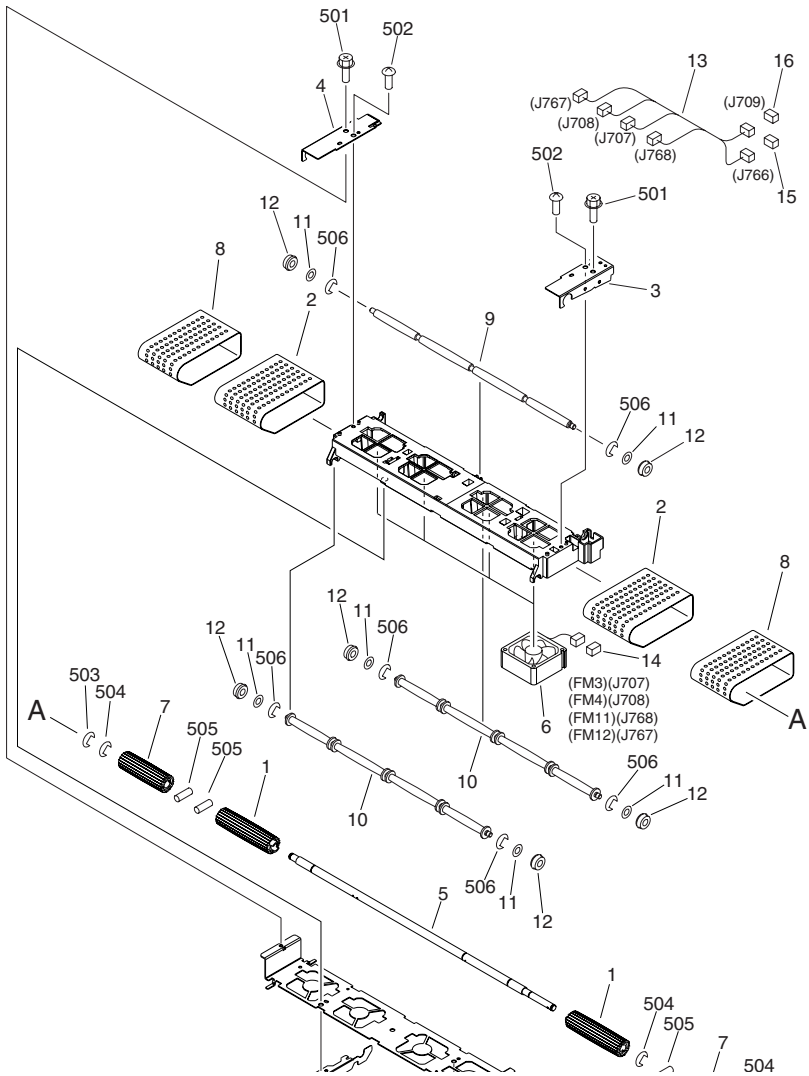
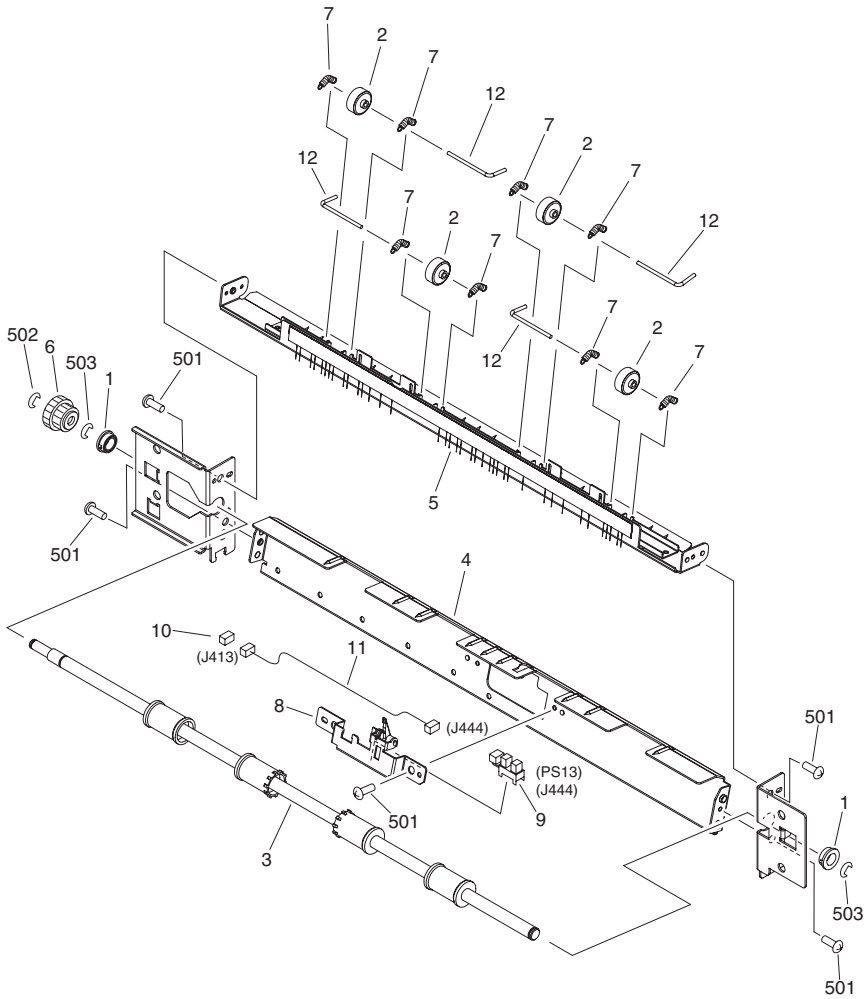


FIGURE & KEY NO.	PARTS NUMBER	R A N K	Q'TY	DESCRIPTION	SERIAL NUMBER/ REMARKS	S V C
Fig.330	FM2-0459-000		1	PRE-FIXING FEEDER ASSEMBLY		
1	FC5-2067-000		2	ROLLER, DRIVE		
2	FC5-2068-000		2	BELT, PAPER FEED		
3	FC5-6325-000		1	GUIDE, PAPER FEEDER, FRONT		
4	FC5-6326-000		1	GUIDE, PAPER FEEDER, REAR		
5	FC5-2073-000		1	SHAFT, DRIVE		
6	FL2-2477-00U		1	RECONDITIONED FAN	FM3,4,11,12J707,708,768 ,767	
7	FC5-6316-000		2	ROLLER, DRIVE, 2		
8	FC5-6320-020		2	BELT, PAPER FEED, 2		
9	FC5-6323-000		1	SHAFT, ROLLER, 1		
10	FC5-6324-000		2	SHAFT, ROLLER, 2		
11	FS5-6488-000		6	WASHER		
12	XG9-0520-000		6	BEARING, BALL, MF106ZZS		
13	FM2-0988-000		1	CABLE, PAPER FEEDER FAN	J707-709,766-768	
14	VS1-7177-003		4	CONNECTOR, SNAP TIGHT, BK	J707,708,767,768	
15	VS1-7173-008		1	CONNECTOR, SNAP TIGHT, 8P, W	J766	
16	VS1-7173-006		1	CONNECTOR, SNAP TIGHT, 6P, W	J709	
501	XB3-6400-805		AR	SCREW,RS,M4X8		
502	XB4-5400-807		AR	SCREW,P,M4X8		
503	XD2-1100-642		AR	RING,E		
504	XD2-1100-802		AR	RING,E		
505	XD3-2200-182		AR	PIN,DOWEL		
506	XD2-1100-502		AR	RING,E		

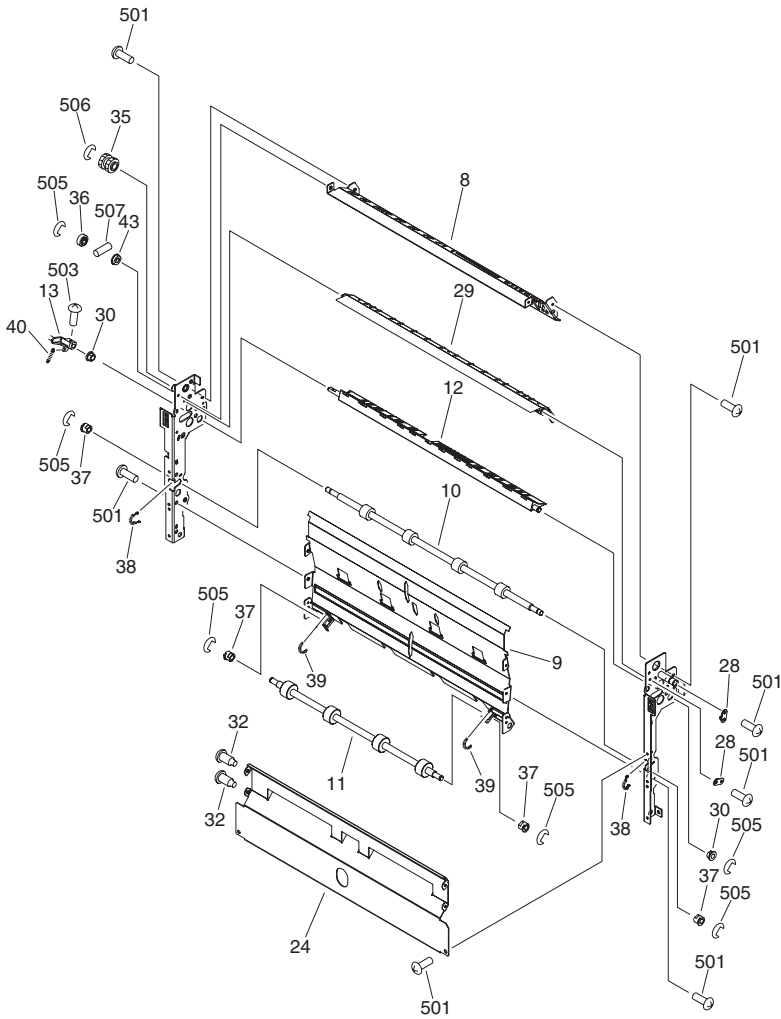
FIGURE 350 EXTERNAL DELIVERY ASSEMBLY



NOTE : This assembly does not include the part shown with key No. 10.
 注 : このユニットにKey No. 10の部品は含まれません。

FIGURE & KEY NO.	PARTS NUMBER	R A N K	Q'TY	DESCRIPTION	SERIAL NUMBER/ REMARKS	S V C
Fig.350	FM2-0483-000		1	EXTERNAL DELIVERY ASSEMBLY		
1	FA9-2112-000		2	BUSHING		
2	FB5-3790-000		4	ROLLER		
3	FC5-2241-000		1	ROLLER, EXTERNAL DELIVERY		
4	FC5-2243-000		1	GUIDE, EXTERNAL DELIVERY, L.		
5	FL2-0603-000		1	GUIDE, DELIVERY STATIC CHARGE		
6	FU5-0207-000		1	GEAR, 19T		
7	FU5-2141-000		8	SPRING, TENSION		
8	FM2-0487-000		1	EXTERNAL DELIVERY SENSOR ASS'Y		
9	FK2-0149-000		1	PHOTO-INTERRUPTER, TLP1253(C6)	PS13 J444	
10	VS1-7177-003		1	CONNECTOR, SNAP TIGHT, BK	SEE NOTEJ413	
11	FM2-0957-000		1	CABLE, PAPER DELIVERY SENSOR	J413,444	
12	FC5-2277-000		4	SHAFT, DELIVERY ROLLER, UPPER		
501	XB1-2300-407		AR	SCREW,MACH.,TRUSS HEAD,M3X4		
502	XD2-1100-502		AR	RING,E		
503	XD2-1100-642		AR	RING,E		

FIGURE 355 REV. PAPER DELIVERY DOOR ASSEMBLY



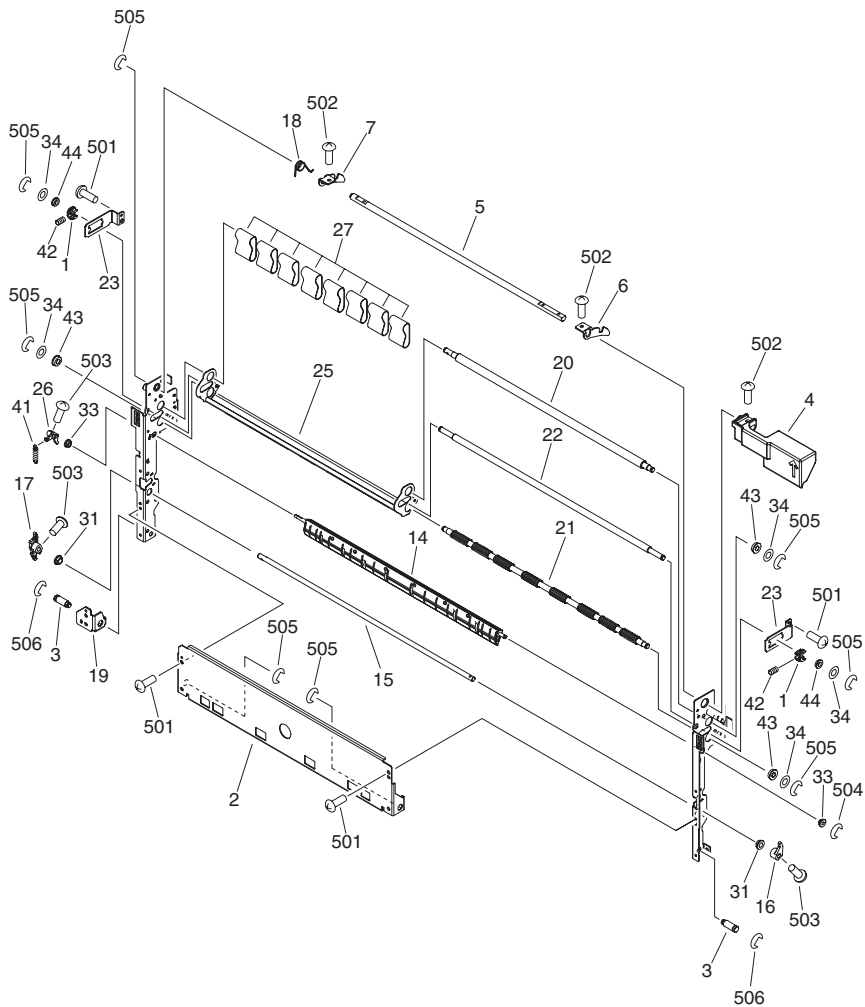


FIGURE & KEY NO.	PARTS NUMBER	R A N K	Q'TY	DESCRIPTION	SERIAL NUMBER/ REMARKS	S V C
Fig.355	FM2-0482-050		1	REV. PAPER DELIVERY DOOR ASS'Y		
1	FB4-4661-000		2	BUSHING		
2	FC5-2203-000		1	CROSSMEMBER, DOOR, LOWER		
3	FC5-2204-000		2	SHAFT, DOOR SUPPORT		
4	FC5-2210-000		1	HANDLE		
5	FC5-2211-000		1	SHAFT, HANDLE		
6	FC5-2212-000		1	HOOK, FRONT		
7	FC5-2213-000		1	HOOK, REAR		
8	FC5-2214-000		1	GUIDE, PAPER DELIVERY, UPPER		
9	FC5-2216-020		1	GUIDE, REV. VERTICAL PATH, L		
10	FC5-2217-000		1	ROLLER, REVERSE DRIVEN, UPPER		
11	FC5-2218-000		1	ROLLER, REVERSE DRIVEN, LOWER		
12	FL2-2922-000		1	FLAPPER, REVERSE DELIVERY		
13	FC5-2220-000		1	ARM, FLAPPER		
14	FC5-2222-000		1	FLAPPER, CROSSING		
15	FC5-2223-000		1	SHAFT, ARM		
16	FC5-2224-000		1	ARM, ROLLER ESTRANGE, FRONT		
17	FC5-2225-000		1	ARM, ROLLER ESTRANGE, REAR		
18	FC5-2226-000		1	SPRING, TORSION		
19	FC5-2230-000		1	PLATE, SUPPORT SHAFT MOUNT		
20	FC5-2235-000		1	ROLLER, DRIVE		
21	FC5-2236-000		1	SHAFT, PULLEY		
22	FC5-2237-000		1	ROLLER, PRESSURE		
23	FC5-2239-000		2	SUPPORT, PRESSURE ROLLER		
24	FC5-2240-000		1	GUIDE, LEFT		
25	FL2-1397-000		1	GUIDE, FRAME		
26	FC5-2660-000		1	ARM, FLAPPER		
27	FB5-3871-000		8	BELT, PAPER FEED		
28	FL2-0497-000		2	PIN, POSITIONING		
29	FL2-0500-000		1	GUIDE, DELIVERY, LOWER		
30	FS1-1512-000		2	BUSHING		
31	FS1-1569-000		2	BUSHING		

FIGURE & KEY NO.	PARTS NUMBER	R A N K	Q'TY	DESCRIPTION	SERIAL NUMBER/ REMARKS	S V C
32	FU5-9035-000		2	SCREW, STEPPED, M3X3		
33	FS5-1142-000		2	BUSHING		
34	FS5-6488-000		5	WASHER		
35	FU5-0191-000		1	GEAR, 22T/18T		
36	FU5-0244-000		1	GEAR, 16T		
37	FU5-1046-000		4	BUSHING		
38	FU5-2139-040		2	SPRING, TENSION		
39	FU5-2140-000		2	SPRING, TENSION		
40	FU5-2147-000		1	SPRING, TENSION		
41	FU5-2160-000		1	SPRING, TENSION		
42	FU5-2164-000		2	SPRING, COMPRESSION		
43	XG9-0337-000		4	BEARING, BALL		
44	XG9-0407-000		2	BEARING, BALL, UGF106P12ZZD4ML		
501	XB1-2300-407		AR	SCREW,MACH.,TRUSS HEAD,M3X4		
502	XB2-8400-807		AR	SCREW,W/WASHER,M4X8		
503	XB6-7300-607		AR	SCREW,TP,M3X6		
504	XD2-1100-322		AR	RING,E		
505	XD2-1100-502		AR	RING,E		
506	XD2-1100-642		AR	RING,E		
507	XD3-2200-082		AR	PIN,DOWEL		

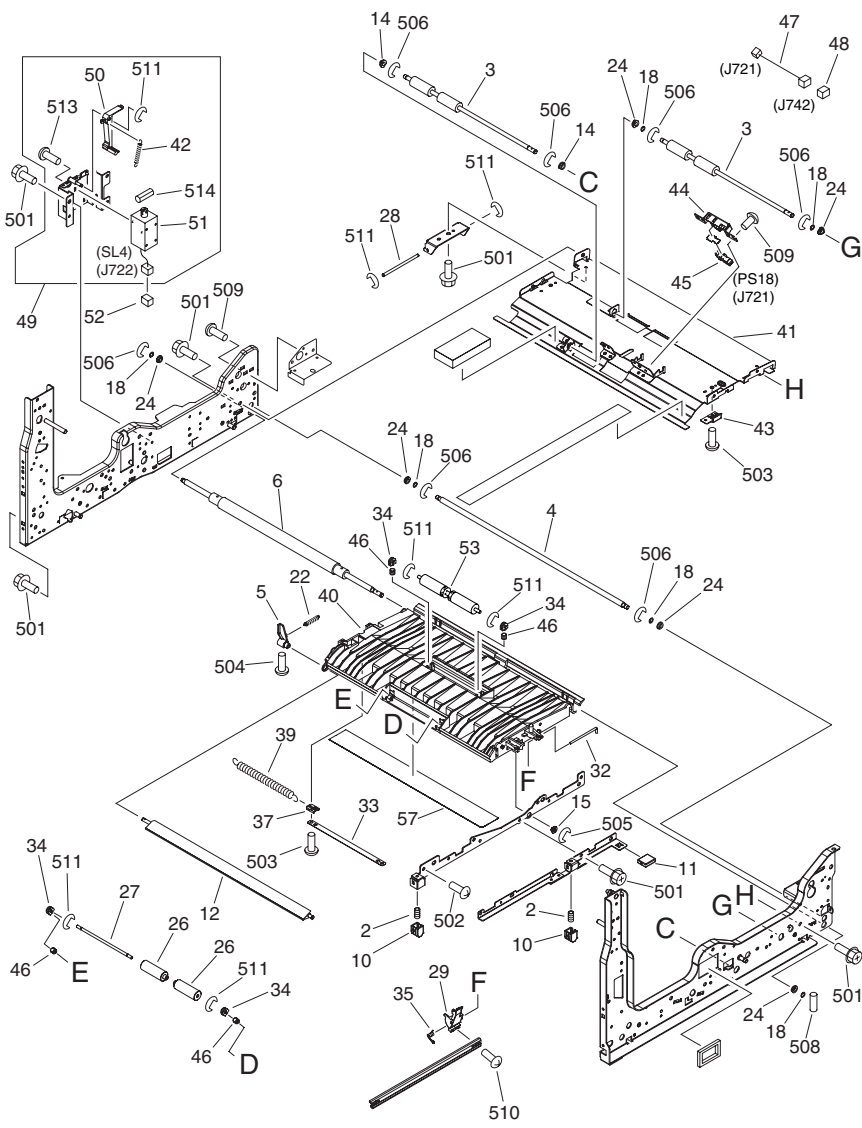


FIGURE & KEY NO.	PARTS NUMBER	R A N K	Q'TY	DESCRIPTION	SERIAL NUMBER/ REMARKS	S V C
Fig.360	FM2-1208-010		1	PAPER FEEDER FRAME ASSEMBLY	SEE NOTE 1	
1	FA9-2112-000		2	BUSHING		
2	FC5-2059-000		2	SPRING, COMPRESSION		
3	FC5-2089-000		3	ROLLER, DUPLEXING, LEFT		
4	FC5-2091-000		1	ROLLER, DUPLEXING METAL		
5	FC5-2092-000		1	HOLDER, FLAPPER		
6	FL2-2478-000		1	ROLLER, DUPLEXING SPONGE		
7	FC5-2104-000		4	BLOCK, INSTALLATION		
8	FC5-2270-000		1	SHAFT, DRIVE COMMUNICATE		
9	FC5-2271-000		2	BUSHING		
10	FC5-2381-000		2	BLOCK, PUSH		
11	FC9-8425-000		1	LEVER, GUIDE		
12	FL2-1167-000		1	FLAPPER		
13	FL2-1186-000		1	SUPPORT, WIRE ROLLER		
14	FS1-1508-000		4	BUSHING		
15	FC5-6287-000		1	BUSHING		
16	FA9-3832-000		1	BUSHING		
17	FA9-3833-000		1	BUSHING		
18	FS5-6488-000		6	WASHER		
19	FS6-0042-000		1	GEAR, 26T		
20	FS5-0677-000		1	GEAR, 26T		
21	FU5-0261-000		1	GEAR, 18T		
22	FU5-2152-000		1	SPRING, TENSION		
23	FM2-1003-000		1	CABLE, CONNECTING	J405,1701	
24	XG9-0192-000		6	BALL BEARING, NMB DDLF-1060ZZH		
25	VS1-7173-015		1	CONNECTOR, SNAP TIGHT, W	J405	
26	FB6-4248-000		6	ROLLER, DRIVEN		
27	FB6-4249-000		3	SHAFT, DRIVEN ROLLER		
28	FC5-2051-000		2	SHAFT, GUIDE SUPPORT		
29	FC5-2090-000		2	ARM, GUIDE RELEASE		
30	FC5-2094-000		1	GUIDE, DUPLEXING, 3		
31	FL2-1392-000		1	GUIDE, DUPLEXING, 2		

FIGURE & KEY NO.	PARTS NUMBER	R A N K	Q'TY	DESCRIPTION	SERIAL NUMBER/ REMARKS	S V C
32	FC5-2118-000		2	SHAFT, LEVER		
33	FC5-2119-000		2	TAPE, SUPPORT		
34	FC5-2133-000		8	BUSHING		
35	FC5-2394-000		2	SPRING, TORSION		
36	FC5-5110-000		1	SLIDER, LEFT		
37	FC5-5167-000		2	MOUNT, TAPE		
38	FU5-2149-000		4	SPRING, COMPRESSION		
39	FU5-2153-000		2	SPRING, TENSION		
40	FL2-2479-000		1	GUIDE, DUPLEXING, 4		
41	FC5-2096-010		1	GUIDE, DUPLEXING, 1		
42	FU5-2151-000		1	SPRING, TENSION		
43	FC5-5109-000		1	SLIDER, RIGHT		
44	FF5-9341-000		1	MOUNT, DELIVERY SENSOR		
45	FK2-0149-000		1	PHOTO-INTERRUPTER, TLP1253(C6)	PS18 J721	
46	FU5-2177-000		4	SPRING, COMPRESSION		
47	FM2-0989-000		1	CABLE, PAPER RE-PICK UP SENSOR	J721,742	
48	VS1-7177-003		1	CONNECTOR, SNAP TIGHT, BK	J742	
49	FM2-1212-00U		1	RECONDITIONED SOLENOID		
50	FC5-2085-000		1	LINK, FLAPPER		
51	FK2-0035-000		1	SOLENOID	SL4 J722	
52	VS1-7177-002		1	CONNECTOR, SNAP TIGHT, BK	SEE NOTE 2J722	
53	FB6-2397-000		1	ROLLER		
54	FC5-5150-020		1	PULLEY		
55	FC5-6406-000		1	HOLDER, BACK-UP ROLLER		
56	FC5-6407-000		3	ROLLER, BACK-UP		
57	FC5-2385-000		2	SHEET, GUIDE, LOWER		
501	XB3-6400-805		AR	SCREW,RS,M4X8		
502	XB4-7400-807		AR	SCREW,TAPPING,TRUSS HEAD,M4X8		
503	XB2-8400-807		AR	SCREW,W/WASHER,M4X8		
504	XB6-7300-407		AR	SCREW,TP,M3X4		
505	XD2-1100-402		AR	RING,E		
506	XD2-1100-502		AR	RING,E		

FIGURE & KEY NO.	PARTS NUMBER	RANK	Q'TY	DESCRIPTION	SERIAL NUMBER/REMARKS	SVC
507	XD2-1100-642		AR	RING,E		
508	XD3-2200-122		AR	PIN,DOWEL		
509	XB1-2400-607		AR	SCREW,MACH.,TRUSS HEAD,M4X6		
510	XB4-7300-807		AR	SCREW,TAPPING,TRUSS HEAD,M3X8		
511	XD2-1100-322		AR	RING,E		
512	XB2-8300-807		AR	SCREW,W/WASHER,M3X8		
513	XB1-2300-407		AR	SCREW,MACH.,TRUSS HEAD,M3X4		
514	XD3-1300-102		AR	PIN,SPRING		
515	XD3-2200-162		AR	PIN,DOWEL		

FIGURE 375
INTERNAL PAPER DELIVERY ASS'Y

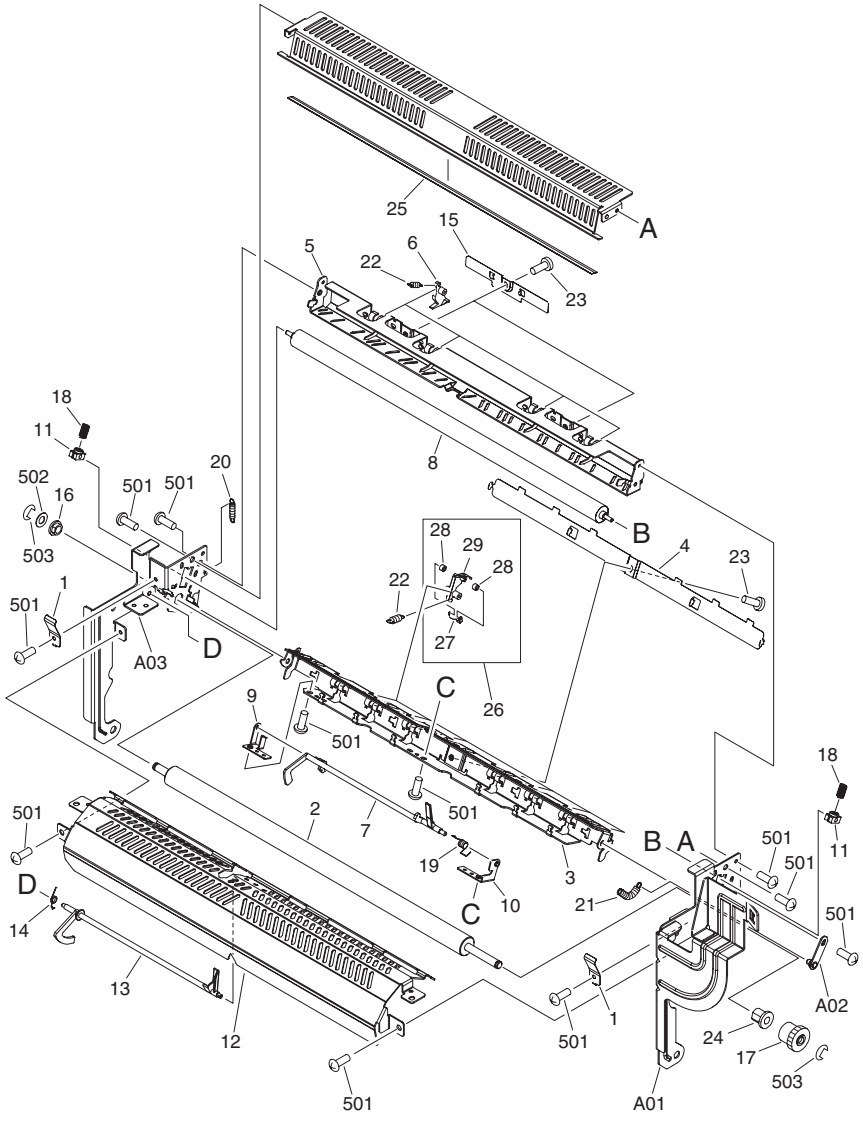


FIGURE & KEY NO.	PARTS NUMBER	R A N K	Q'TY	DESCRIPTION	SERIAL NUMBER/ REMARKS	S V C
Fig.375	FM2-0495-050		1	INTERNAL PAPER DELIVERY ASSY		
1	FC5-2233-000		2	PLATE, PRESSURE		
2	FC8-7815-000		1	ROLLER, INTERNAL DELIVERY, L.		
3	FC5-2343-00U		1	RECONDITIONED GUIDE, INTERNAL		
4	FC5-2344-000		1	RETAINER, CLAW		
5	FC5-2345-000		1	GUIDE, INTERNAL DELIVERY, U.		
6	FM2-1672-000		4	UPPER SEPARATE CLAW ASSEMBLY		
7	FC5-2347-000		1	FLAG, SENSOR		
8	FC5-2356-000		1	ROLLER, INTERNAL DELIVERY, U.		
9	FC5-2383-000		1	HOLDER, SENSOR, REAR		
10	FC5-2384-000		1	HOLDER, SENSOR, FRONT		
11	FC5-2598-000		2	BUSHING		
12	FC5-2756-00U		1	RECONDITIONED GUIDE, INTERNAL		
13	FC5-2758-000		1	LEVER, REVERSE SENSOR		
14	FC5-2759-000		1	SPRING, TORSION		
15	FC5-6233-000		2	PLATE, CLAW RETAINING, UPPER		
16	FS1-1569-000		1	BUSHING		
17	FU5-0179-020		1	GEAR, 18T		
18	FU5-2135-000		2	SPRING, COMPRESSION		
19	FU5-2136-010		1	SPRING, TORSION		
20	FU5-2137-000		1	SPRING, TENSION		
21	FU5-2138-000		1	SPRING, TENSION		
22	FU5-2332-000		10	SPRING, TENSION		
23	XA9-0679-000		3	SCREW,MACH.,FLAT HEAD,M3X4		
24	XG9-0423-000		1	BUSHING		
25	FC5-6297-000		1	SHEET,INTERNAL DELIVERY OUTLET		
26	FM2-0501-000		6	LOWER SEPARATE CLAW ASSEMBLY		
27	FC5-2372-000		6	RETAINER, ROLLER		
28	FC5-2373-000		12	ROLLER		
29	FC5-2375-000		6	CLAW, SEPARATION		
501	XB1-2300-407		AR	SCREW,MACH.,TRUSS HEAD,M3X4		
502	XD1-1206-235		AR	WASHER		

FIGURE & KEY NO.	PARTS NUMBER	R A N K	Q'TY	DESCRIPTION	SERIAL NUMBER/ REMARKS	S V C
503	XD2-1100-502		AR	RING,E		

FIGURE 420 MIRROR ASSEMBLY 1

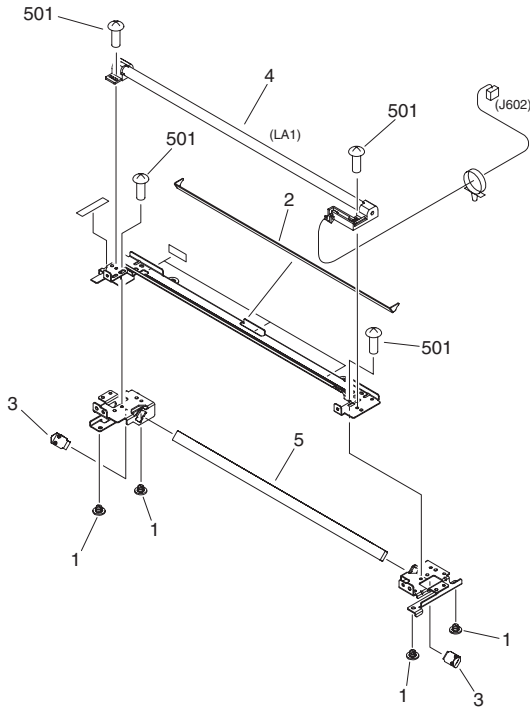


FIGURE & KEY NO.	PARTS NUMBER	R A N K	Q'TY	DESCRIPTION	SERIAL NUMBER/ REMARKS	S V C
Fig.420	FM2-0624-000		1	MIRROR ASSEMBLY 1		
1	FC5-0127-000		4	PIN, SLIDER		
2	FC5-0128-000		1	REFLECTOR	OLD	
2	FC5-2870-000		1	REFLECTOR	NEW	
3	FC5-2835-000		2	SPRING, LEAF, MIRROR		
4	FM2-0634-000		1	XENON LAMP ASSEMBLY		
5	FL2-0641-00U		1	RECONDITIONED MIRROR, 1		
501	XB2-8300-607		AR	SCREW,W/WASHER,M3X6		

FIGURE 430 MIRROR ASSEMBLY 2

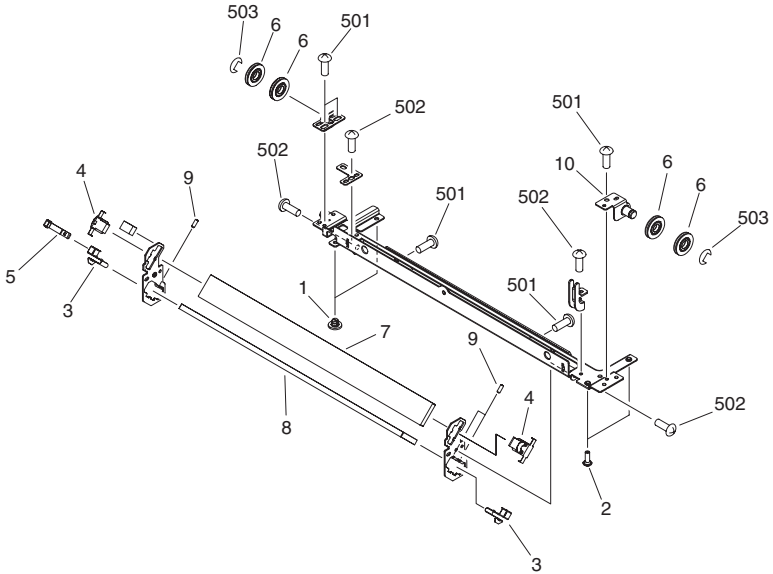


FIGURE & KEY NO.	PARTS NUMBER	RANK	Q'TY	DESCRIPTION	SERIAL NUMBER/REMARKS	SVC
Fig.430	FM2-0623-000		1	MIRROR ASSEMBLY 2		
1	FC5-0127-000		2	PIN, SLIDER		
2	FC5-0136-000		2	PIN, SLIDER		
3	FC5-0165-000		2	SPRING, LEAF, MIRROR		
4	FC5-2840-000		2	SPRING, LEAF, MIRROR		
5	FC5-2843-000		1	SPRING, LEAF		
6	FL2-0647-000		4	PULLEY		
7	FN7-4012-000		1	MIRROR, 2		
8	FN7-4013-000		1	MIRROR, 3		
9	XA9-0425-030		3	SETSCREW, HEX SOCKET		
10	FL2-0639-000		1	MOUNT, PULLEY, FRONT		
501	XB1-2300-406		AR	SCREW,MACH.,TRUSS HEAD,M3X4		
502	XB2-8300-607		AR	SCREW,W/WASHER,M3X6		
503	XD2-1100-642		AR	RING,E		

FIGURE 460 LASER SCANNER ASSEMBLY

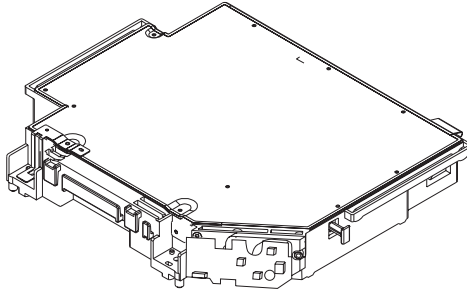


FIGURE & KEY NO.	PARTS NUMBER	RANK	Q'TY	DESCRIPTION	SERIAL NUMBER/REMARKS	SVC
Fig.460	FM2-0394-000		1	LASER SCANNER ASSEMBLY		

FIGURE 510 PHOTO-SENSITIVE DRUM ASSEMBLY

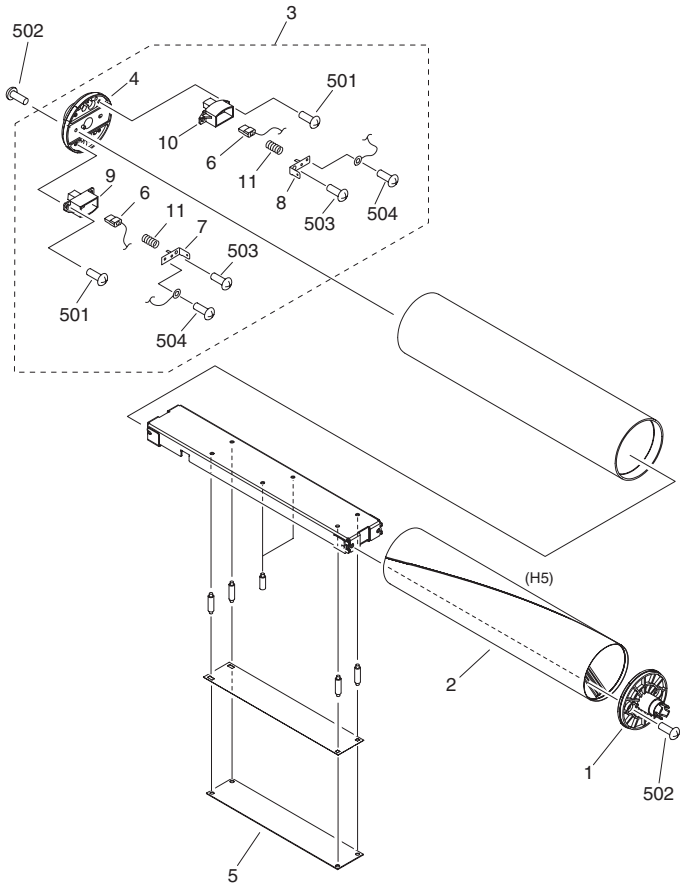


FIGURE & KEY NO.	PARTS NUMBER	R A N K	Q'TY	DESCRIPTION	SERIAL NUMBER/ REMARKS	S V C
Fig.510	NPN		RF	PHOTO-SENSITIVE DRUM ASSEMBLY		
1	FL2-0532-000		1	FLANGE, FRONT		
2	FK2-0002-000		1	HEATER, DRUM	100VH5	
2	FK2-0006-000		1	HEATER, DRUM	120VH5	
2	FK2-0007-000		1	HEATER, DRUM	230VH5	
3	FM2-0423-000		1	RIGHT DRUM FLANGE ASSEMBLY		
4	FL2-1399-00U		1	FLANGE, DRUM, REAR		
5	FM2-0841-000		1	DRUM HEATER PCB ASS'Y	100/120V	
5	FM2-0842-000		1	DRUM HEATER PCB ASS'Y	230V	
6	FC5-1766-000		2	BRUSH		
7	FC5-1832-000		1	TERMINAL, 1		
8	FC5-1833-000		1	TERMINAL, 2		
9	FC5-2587-000		1	MOUNT, BRUSHU, 1		
10	FC5-2588-000		1	MOUNT, BRUSHU, 2		
11	FS2-2036-020		2	SPRING, COMPRESSION		
501	XB1-2400-607		AR	SCREW,MACH.,TRUSS HEAD,M4X6		
502	XB6-7401-207		AR	SCREW,TP,M4X12		

FIGURE 530 SECONDARY TRANSFER MOUNT ASS'Y

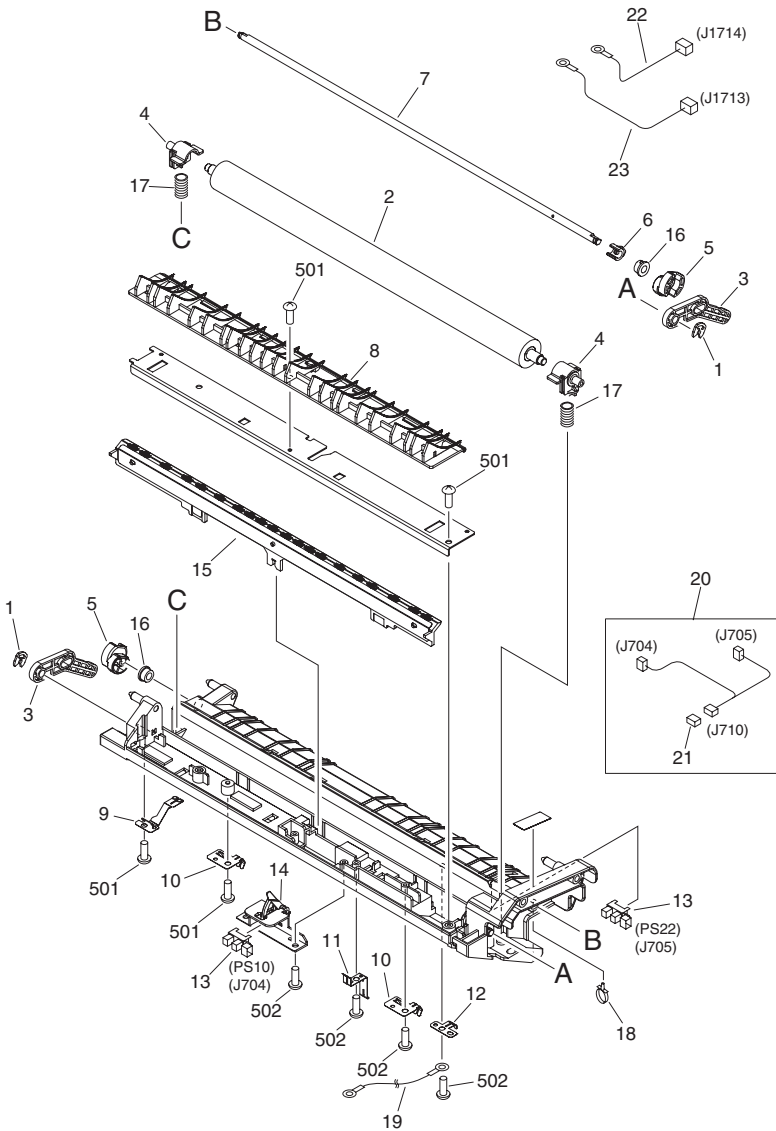


FIGURE & KEY NO.	PARTS NUMBER	R A N K	Q'TY	DESCRIPTION	SERIAL NUMBER/ REMARKS	S V C
Fig.530	FM2-0471-000		1	SECONDARY TRANSFER MOUNT ASSY		
1	FA3-8727-000		2	RING, RETAINING		
2	FC5-2157-000		1	ROLLER, TRANSFER, 3		
3	FC9-0252-010		2	ARM, SECONDARY TRANSFER		
4	FC5-2160-000		2	HOLDER, SECON. TRANSFER ROLLER		
5	FC5-2161-000		2	CAM, SWING		
6	FC5-2162-000		1	FLAG, SWING CAM SENSOR		
7	FC5-2163-000		1	SHAFT, SWING CAM		
8	FC5-2165-000		1	GUIDE, TRANSFER PAPER FEED		
9	FC5-2166-000		1	TERMINAL, TRANSFER ROLLER 3		
10	FC5-2169-000		2	TERMINAL, STATIC CHARGE		
11	FC5-2170-000		1	PLATE, TRANSFER GROUNDING		
12	FC5-5077-000		1	PLATE, CAM SHAFT GROUNDING		
13	FK2-0149-000		2	PHOTO-INTERRUPTER, TLP1253(C6)	PS10,22 J704,705	
14	FL2-0492-000		1	HOLDER, SECON. TRANSFER SENSOR		
15	FL2-0598-000		1	HOLDER, TRANSFER STATIC CHARGE		
16	FS1-1213-000		2	BUSHING		
17	FU5-2111-000		2	SPRING, COMPRESSION		
18	WT2-5565-000		1	CLAMP, CABLE		
19	FM2-0915-000		1	CABLE, SEC. TRANSFER GROUNDING		
20	FM2-0976-000		1	CABLE, SECONDARY TRANSFER UNIT	J704,705,710	
21	VS1-7173-007		1	CONNECTOR, SNAP TIGHT, 7P	J710	
22	FL2-0987-000		1	CABLE, STATIC CHARGE H.V.	J1714	
23	FL2-0989-000		1	CABLE, SECONDARY TRANSFER H.V.	J1713	
501	XB1-2300-607		AR	SCREW,MACH.,TRUSS HEAD,M3X6		
502	XB4-5300-807		AR	SCREW,P,M3X8		

FIGURE 535 I.T.B. POSITIONING ASSEMBLY

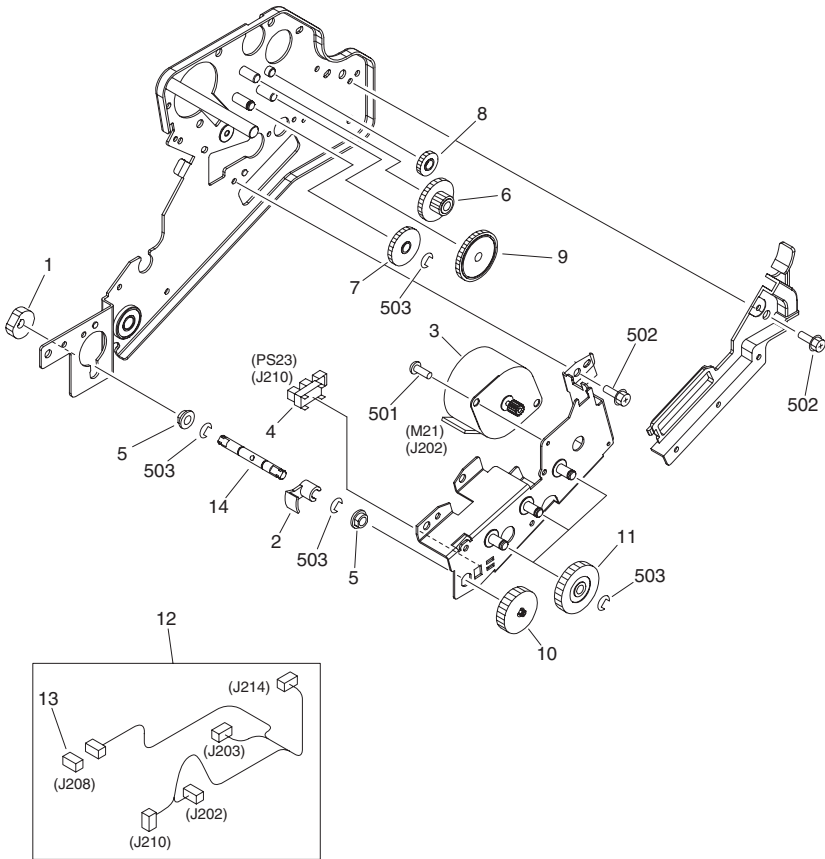
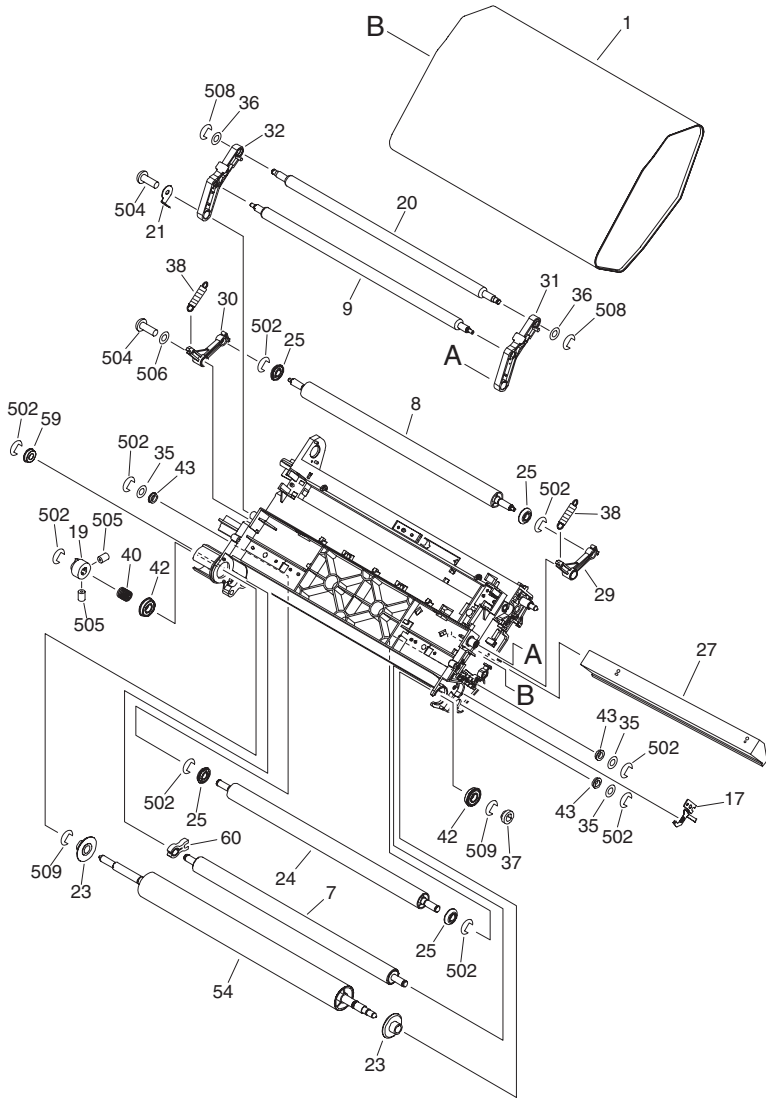


FIGURE & KEY NO.	PARTS NUMBER	R A N K	Q'TY	DESCRIPTION	SERIAL NUMBER/ REMARKS	S V C
Fig.535	FM2-1243-000		1	I.T.B. POSITIONING ASSEMBLY		
1	FC5-1727-000		1	CAM, TRANSFER CLUTCH		
2	FC5-1729-000		1	FLAG, SENSOR		
3	FK2-0155-000		1	MOTOR, STEPPING	M21 J202	
4	FK2-0149-000		1	PHOTO-INTERRUPTER, TLP1253(C6)	PS23 J210	
5	FS1-1569-000		2	BUSHING		
6	FS6-0120-000		1	GEAR, 20T/26T		
7	FS6-0122-000		1	GEAR, 18T/40T		
8	FS6-0124-000		1	GEAR, 24T		
9	FU5-0156-000		1	GEAR, 54T/18T		
10	FU5-0175-000		1	GEAR, 56T		
11	FU5-0208-000		3	GEAR, 64T		
12	FM2-0946-000		1	CABLE, I.T.B. CLEANER	J202,203,208,210,214	
13	VS1-7177-002		1	CONNECTOR, SNAP TIGHT, BK	J208	
14	FC5-1728-000		1	SHAFT, TRANSFER CLUTCH CAM		
501	XB1-2300-607		AR	SCREW,MACH.,TRUSS HEAD,M3X6		
502	XB3-6400-805		AR	SCREW,RS,M4X8		
503	XD2-1100-502		AR	RING,E		

FIGURE 537
 INTERMED. TRANSFER BELT ASS'Y



NOTE : This assembly does not include the parts shown with key No. 1, 2, 3, 4, 5, 6, 515 and 516.
 注 : このユニットにKey No. 1, 2, 3, 4, 5, 6, 515, 516の部品は含まれません。

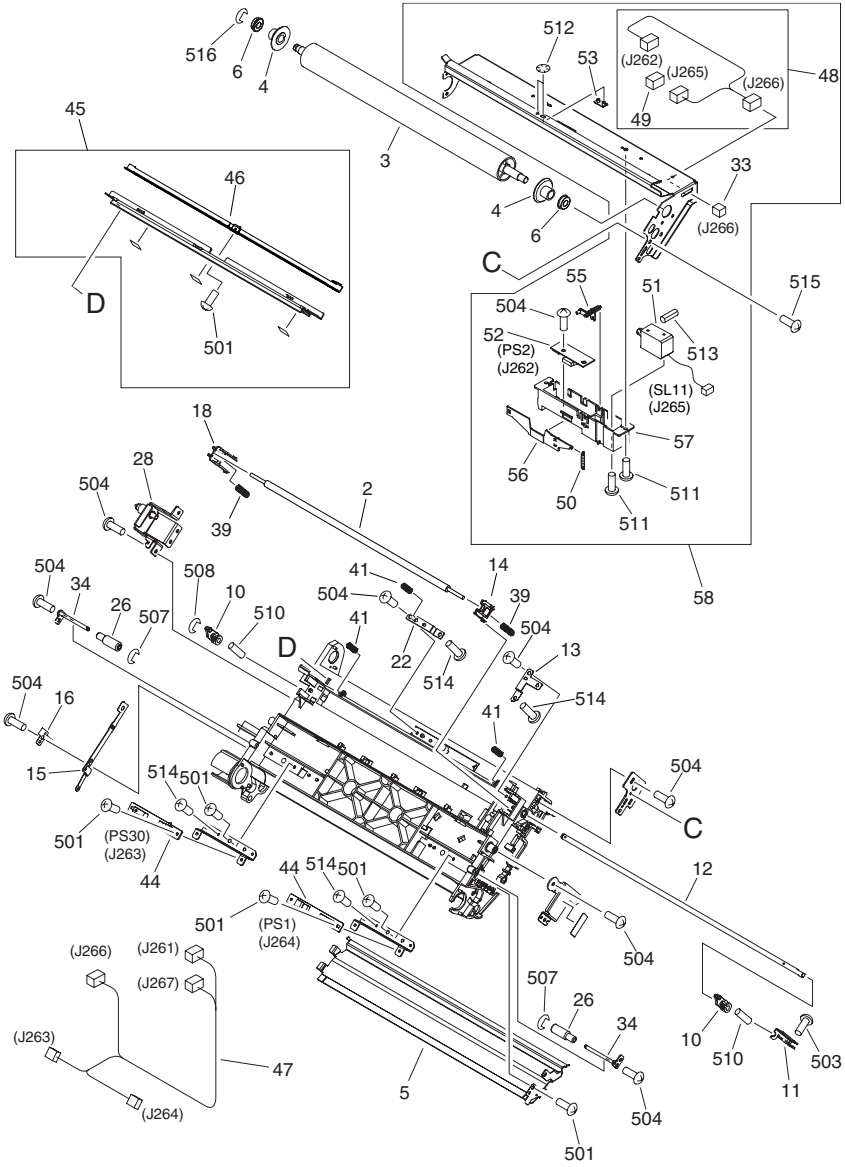


FIGURE & KEY NO.	PARTS NUMBER	R A N K	Q'TY	DESCRIPTION	SERIAL NUMBER/ REMARKS	S V C
Fig.537	FM2-0407-050		1	I.T.B. OUTER ASSEMBLY		
1	FC5-1658-020		1	BELT, TRANSFER	SEE NOTE	
2	FC5-1660-000		1	ROLLER, TRANSFER, 1	SEE NOTE	
3	FC5-1664-000		1	ROLLER, IDLE	SEE NOTE	
4	FC5-1665-000		2	COLLAR, LIMITER	SEE NOTE	
5	FL2-0401-000		1	GUIDE, PRE-TRANSFER	SEE NOTE	
6	XG9-0506-000		2	BEARING, BALL, 688AZZ1NR MC3	SEE NOTE	
7	FC5-1661-000		1	ROLLER, TRANSFER, 2		
8	FC5-1663-00U		1	RECONDITIONED ROLLER, TENSION		
9	FM2-6857-000		1	ROLLER UNIT, AUXILIARY		
10	FC5-1671-000		2	CAM, RELEASE		
11	FC5-1672-000		1	LEVER, RELEASE		
12	FC5-1673-000		1	SHAFT, RELEASE		
13	FC5-1675-000		1	TERMINAL, ELECTRODE		
14	FC5-1676-000		1	BUSHING		
15	FC5-1681-000		1	PLATE, GROUNDING		
16	FC5-1682-000		1	PLATE, GROUNDING, REAR		
17	FC5-1683-000		1	PLATE, GROUND, FRONT		
18	FC5-1688-000		1	BUSHING		
19	FC5-1759-00U		1	RECONDITIONED COUPLING		
20	FM2-6857-000		1	ROLLER UNIT, AUXILIARY		
21	FC5-2440-000		1	STOPPER, ARM		
22	FC5-2444-000		1	TERMINAL, ELECTRODE		
23	FC5-2445-000		2	COLLAR, LIMITER		
24	FC5-6228-00U		1	ROLLER, PUSH-DOWN		
25	FC5-6229-000		4	COLLAR		
26	FC5-6254-000		2	ROLLER, BACK-UP		
27	FL2-0398-050		1	SCRAPER, INTERNAL		
28	FL2-0403-000		1	PIN, POSITIONING		
29	FL2-0404-000		1	ARM, TENSION, FRONT		
30	FL2-0405-000		1	ARM, TENSION, REAR		
31	FM2-6857-000		1	ROLLER UNIT, AUXILIARY		

FIGURE & KEY NO.	PARTS NUMBER	RANK	Q'TY	DESCRIPTION	SERIAL NUMBER/REMARKS	SVC
32	FM2-6857-000		1	ROLLER UNIT, AUXILIARY		
33	VS1-7173-008		1	CONNECTOR, SNAP TIGHT, 8P, W	J266	
34	FL2-1198-000		2	SUPPORT, BACK-UP ROLLER		
35	FS5-6487-000		3	WASHER		
36	FS5-6488-000		2	WASHER		
37	FU5-0287-000		1	GEAR, 32T		
38	FU5-2113-000		2	SPRING, TENSION		
39	FU5-2114-000		2	SPRING, COMPRESSION		
40	FU5-2115-000		1	SPRING, COMPRESSION		
41	FU5-2169-000		3	SPRING, COMPRESSION		
42	XG9-0504-000		2	BEARING, BALL, 6900DDNXR		
43	XG9-0505-000		3	BEARING, BALL, MF128ZZ1 MC3		
44	FK2-0161-000		2	SENSOR UNIT, EE-SY133-P18	PS1,30 J264,263	
45	FM2-0420-000		1	STATIC CHARGE ELIMINATOR ASS'Y		
46	FL2-0408-000		1	ELIMINATOR, STATIC-CHARGE		
47	FM2-0949-000		1	CABLE, INTERMED. TRANSFER BELT	J261,263,264,266,267	
48	FM2-0958-000		1	CABLE, PATCH SENSOR	J262,265,266	
49	VS1-7173-002		1	CONNECTOR, SNAP TIGHT, 2P	J265	
50	FU5-2119-000		1	SPRING, TENSION		
51	FK2-0100-000		1	SOLENOID	SL11 J265	
52	FH7-7601-030		1	SALT SENSOR UNIT	PS2 J262	
53	FC5-6234-000		1	STOPPER		
54	FC5-1659-000		1	ROLLER, DRIVE		
55	FC5-1712-000		1	LEVER, PATCH SENSOR RELEASE		
56	FC5-1711-000		1	SHUTTER, PATCH SENSOR		
57	FC5-1709-000		1	HOLDER, PATCH SENSOR		
58	FM2-0409-000		1	PATCH SENSOR ASSEMBLY		
59	XG9-0506-000		1	BEARING, BALL, 688AZZ1NR MC3		
60	FC6-4774-000		1	BRAKE		
501	XB1-2300-607		AR	SCREW,MACH.,TRUSS HEAD,M3X6		
502	XD2-1100-642		AR	RING,E		
503	XB2-8301-007		AR	SCREW,W/WASHER,M3X10		

FIGURE & KEY NO.	PARTS NUMBER	R A N K	Q'TY	DESCRIPTION	SERIAL NUMBER/ REMARKS	S V C
504	XB4-5300-807		AR	SCREW,P,M3X8		
505	XB6-2400-408		AR	SETSCREW,M4X4		
506	XD1-1105-735		AR	SHIM		
507	XD2-1100-322		AR	RING,E		
508	XD2-1100-502		AR	RING,E		
509	XD2-1100-802		AR	RING,E		
510	XD3-2200-162		AR	PIN,DOWEL		
511	XB1-2300-407		AR	SCREW,MACH.,TRUSS HEAD,M3X4		
512	XD2-2300-402		AR	RING,TOOTHED LOCK		
513	XD3-1300-102		AR	PIN,SPRING		
514	XB2-8300-807		AR	SCREW,W/WASHER,M3X8		
515	XB1-2300-607		AR	SCREW,MACH.,TRUSS HEAD,M3X6	SEE NOTE	
516	XD2-1100-642		AR	RING,E	SEE NOTE	

FIGURE 538 TRANSFER CLEANER ASSEMBLY

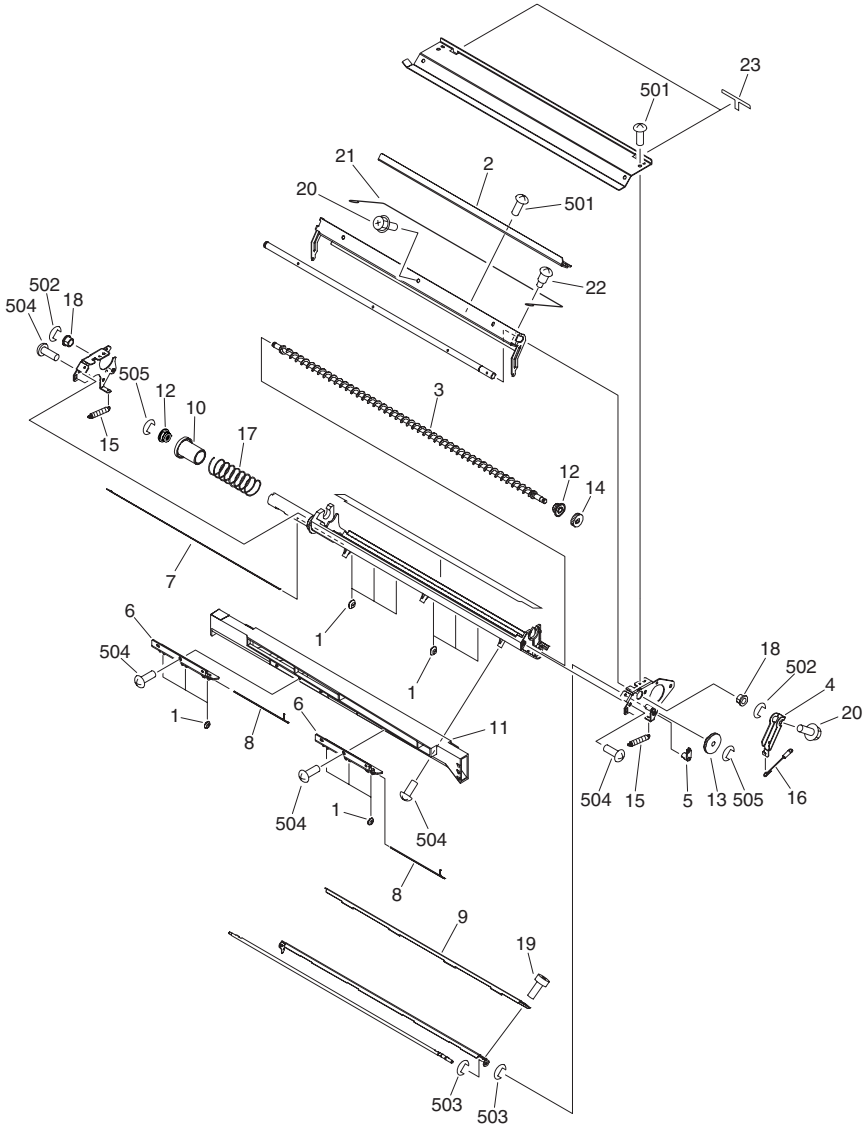


FIGURE & KEY NO.	PARTS NUMBER	R A N K	Q'TY	DESCRIPTION	SERIAL NUMBER/ REMARKS	S V C
Fig.538	FM2-0522-000		1	TRANSFER CLEANER ASSEMBLY		
1	FA2-9309-000		12	ROLLER		
2	FC5-1662-000		1	BLADE, CLEANING		
3	FC5-1691-000		1	FEEDSCREW, TRANSFER CLEANER		
4	FC5-1700-000		1	ARM, RELEASE		
5	FC5-1704-000		1	ARM, SHEET RELEASE		
6	FC5-6275-000		2	HOLDER, ROWEL		
7	FC5-6276-000		1	WIRE, ROWEL, 1		
8	FC5-6277-000		2	WIRE, ROWEL, 2		
9	FL2-0411-000		1	SHEET, TRANSFER CLEANER		
10	FL2-0412-000		1	SHUTTER		
11	FL2-0413-000		1	DUCT, TRANSFER CLEANER		
12	FL2-0415-000		2	BUSHING		
13	FU5-0286-000		1	GEAR, 38T/16T		
14	FU5-0172-000		1	GEAR, 27T		
15	FU5-2116-000		2	SPRING, TENSION		
16	FU5-2117-000		1	SPRING, TENSION		
17	FU5-2118-000		1	SPRING, COMPRESSION		
18	RS5-1419-000		2	BUSHING		
19	XA9-0679-000		2	SCREW,MACH.,FLAT HEAD,M3X4		
20	XA9-1063-000		4	SCREW,TP,M3X8		
21	FC5-6332-000		1	ROD, STIRRING		
22	FU5-9038-000		2	SCREW, STEPPED, M3		
23	FC6-2843-000		2	SCRAPER, INTER. TRANSFER BELT		
501	XB1-2300-607		AR	SCREW,MACH.,TRUSS HEAD,M3X6		
502	XD2-1100-642		AR	RING,E		
503	XD2-1100-322		AR	RING,E		
504	XB4-5300-807		AR	SCREW,P,M3X8		
505	XD2-1100-502		AR	RING,E		

FIGURE 550 PRIMARY CORONA ASSEMBLY

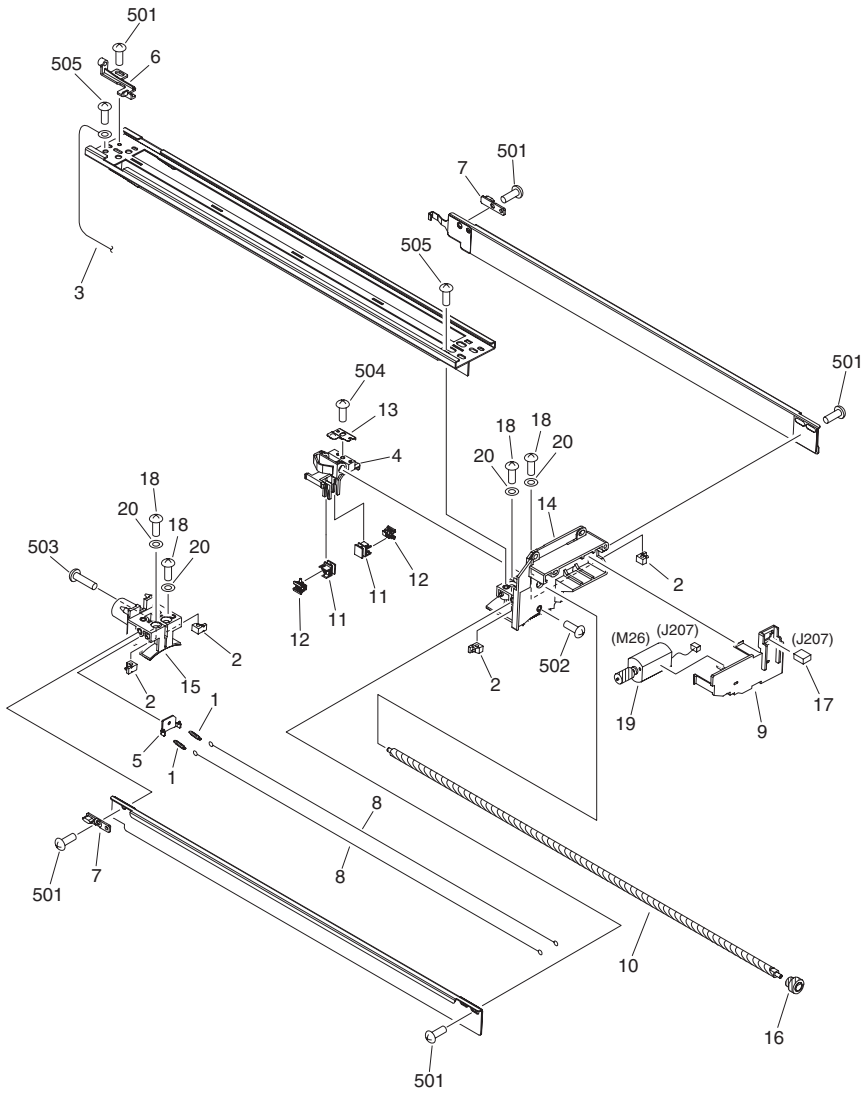


FIGURE & KEY NO.	PARTS NUMBER	R A N K	Q'TY	DESCRIPTION	SERIAL NUMBER/ REMARKS	S V C
Fig.550	FM2-0429-000		1	PRIMARY CORONA ASSEMBLY		
1	97-5527-000		2	SPRING, TENSION		
2	FA2-8884-000		4	GUIDE, CORONA WIRE		
3	FY1-0883-000		AR	WIRE, CORONA, 0.1MM (100M)		
4	FB2-6849-030		1	HOLDER, PRIMARY CORONA		
5	FB2-6857-000		1	PLATE, SPRING		
6	FB2-6859-030		1	BUSHING		
7	FB2-6912-000		2	BLOCK, GUIDE		
8	FB4-3687-000		AR	WIRE, CORONA, 0.06MM (20M)		
9	FC5-1762-000		1	COVER, MOTOR		
10	FC5-1810-000		1	SCREW, LEAD		
11	FL2-0462-020		2	BLOCK, WIRE CLEANING PAD		
12	FL2-0464-000		2	HOLDER, WIRE CLEANING PAD		
13	FF5-6885-000		1	GUIDE, PIN		
14	FL2-0427-000		1	BLOCK, PRIMARY CORONA, FRONT		
15	FL2-0428-000		1	BLOCK, PRIMARY CORONA, REAR		
16	FU5-0268-000		1	GEAR, 18T		
17	VS1-7177-002		1	CONNECTOR, SNAP TIGHT, BK	J207	
18	XA9-0228-000		4	SCREW,INSUL.,C.S.HEAD,M4X18		
19	FL2-0991-000		1	DC MOTOR UNIT	M26 J207	
20	FC5-6366-000		4	WASHER, SHEET		
501	XB1-2300-607		AR	SCREW,MACH.,TRUSS HEAD,M3X6		
502	XB1-2301-407		AR	SCREW,MACH.,TRUSS HEAD,M3X14		
503	XB1-2302-003		AR	SCREW,MACH.,TRUSS HEAD,M3X20		
504	XB4-7300-607		AR	SCREW,TAPPING,TRUSS HEAD,M3X6		
505	XB2-5300-607		AR	SCREW		

FIGURE 570 PRE-TRANSFER CORONA ASSEMBLY

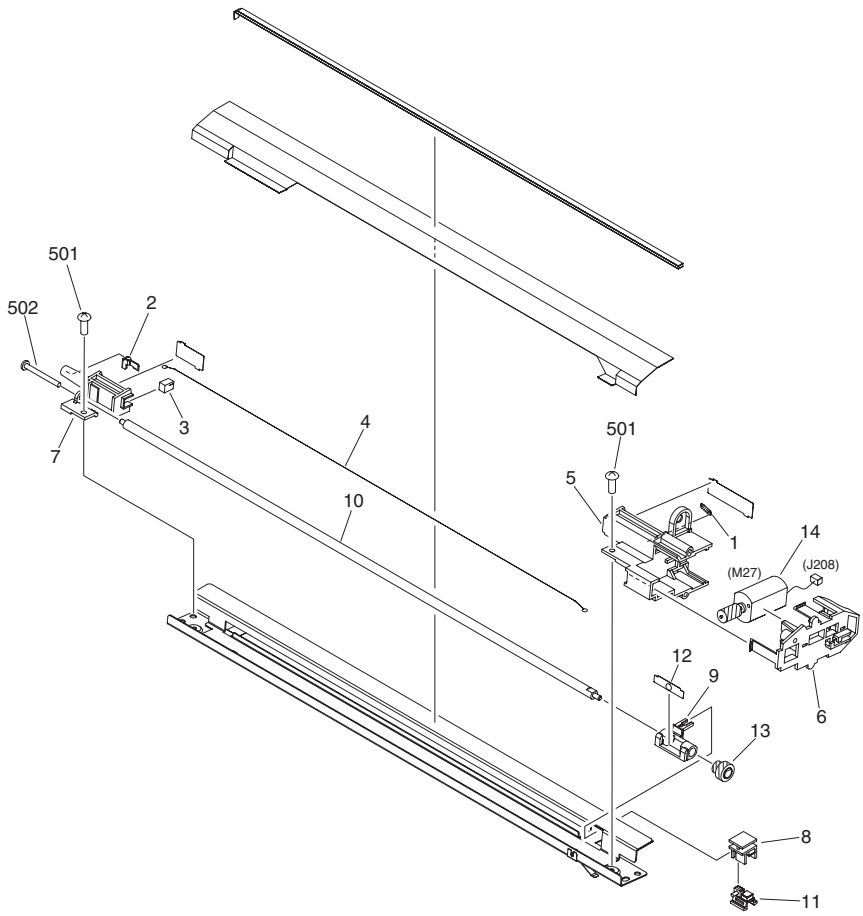
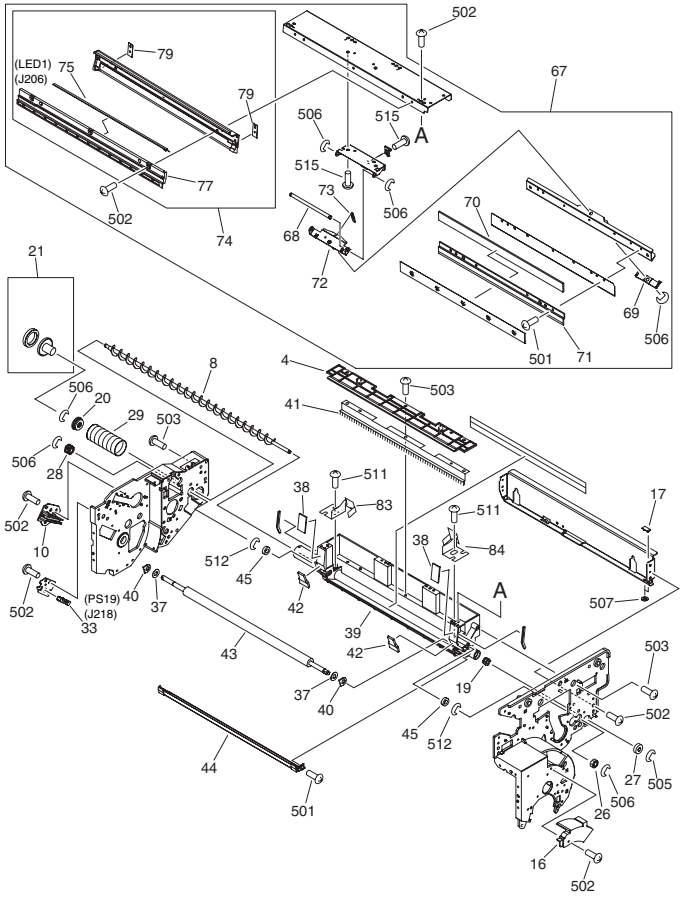
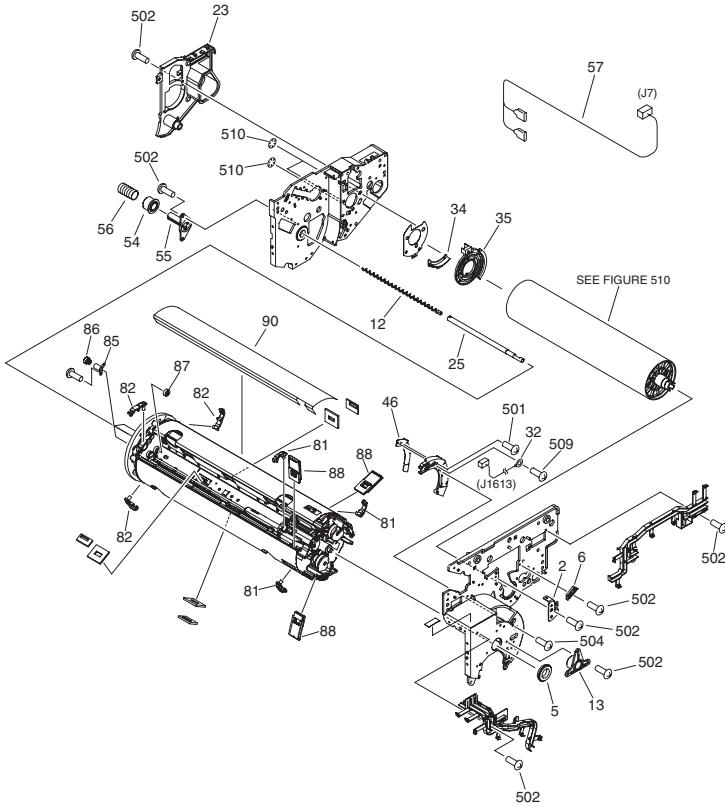
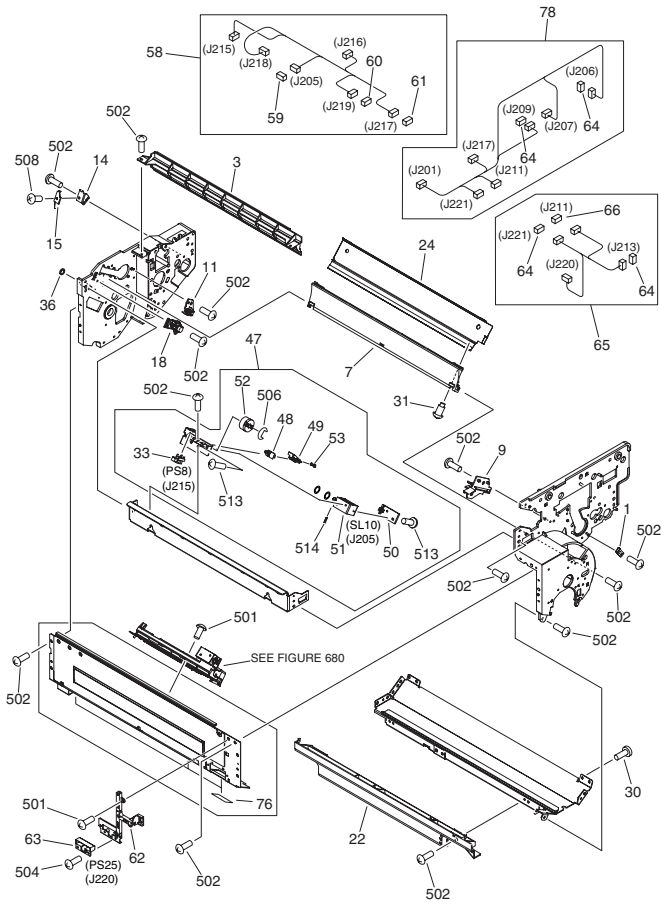


FIGURE & KEY NO.	PARTS NUMBER	R A N K	Q'TY	DESCRIPTION	SERIAL NUMBER/REMARKS	S V C
Fig.570	FM2-0427-000		1	PRE-TRANSFER CORONA ASSEMBLY		
1	97-5527-000		1	SPRING, TENSION		
2	FA3-2127-000		1	TERMINAL, CORONA WIRE		
3	FA4-1864-000		1	DAMPER		
4	FB4-3687-000		AR	WIRE, CORONA, 0.06MM (20M)		
5	FC5-1805-000		1	BLOCK, CORONA, FRONT		
6	FC5-1806-000		1	COVER, MOTOR		
7	FC5-1807-000		1	BLOCK, CORONA, REAR		
8	FL2-0462-020		1	BLOCK, WIRE CLEANING PAD		
9	FC5-1809-000		1	HOLDER, LEAD SCREW		
10	FC5-1810-000		1	SCREW, LEAD		
11	FL2-0464-000		1	HOLDER, WIRE CLEANING PAD		
12	FL2-0434-000		1	SPRING, LEAF		
13	FU5-0268-000		1	GEAR, 18T		
14	FL2-0991-000		1	DC MOTOR UNIT	M27 J208	
501	XB1-2300-407		AR	SCREW,MACH.,TRUSS HEAD,M3X4		
502	XB1-2303-003		AR	SCREW,MACH.,TRUSS HEAD,M3X30		

FIGURE 600
AP KIT ASSEMBLY







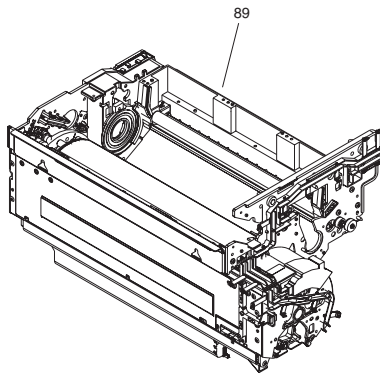


FIGURE & KEY NO.	PARTS NUMBER	R A N K	Q'TY	DESCRIPTION	SERIAL NUMBER/ REMARKS	S V C
Fig.600	NPN		RF	AP KIT ASSEMBLY		
1	FC5-1782-00U		1	RECONDITIONED RETAINER		
2	FC5-1787-000		1	SIDE PLATE, FRONT		
3	FL2-0431-000		1	RAIL, 1ST, LEFT		
4	FL2-1158-000		1	COVER, MAGNET		
6	FB2-6883-000		1	PLATE, PRE. TR. CORONA STOP		
7	FC5-1780-000		1	DUCT, PRE-TRANSFER		
8	FC5-1798-000		1	FEEDSCREW		
9	FC5-1884-000		1	RAIL, DEVELOPING, FRONT		
10	FC5-1885-000		1	RAIL, DEVELOPING, REAR		
11	FC5-1954-000		1	RAIL, AUXILIARY		
12	FC5-1982-000		1	FEEDSCREW, WASTE TONER CARRIER		
13	FL2-0396-000		1	BLOCK, ROTARY SUPPORT, FRONT		
14	FC5-6294-000		1	PLATE, GROUNDING BASE		
15	FC6-9029-000		1	BRUSH, GROUNDING		
16	FC5-6210-000		1	COVER, HIGH VOLTAGE RESISTOR		
17	FC5-6234-000		1	STOPPER		
18	FC5-6236-000		1	GEAR, 10T		
19	FF2-2891-000		1	BUSHING		
20	FF5-2983-000		1	BUSHING		
21	FF5-2986-000		1	SHUTTER, WASTE TONER		
22	FL2-0418-000		1	DUCT, AP-KIT		
23	FL2-0432-000		1	DUCT, INTERMEDIATE		
24	FL2-0436-000		1	RAIL, PRE-TRANSFER		
25	FL2-0463-000		1	PIPE, WASTE TONER CARRIER		
26	FS6-0121-000		1	GEAR, 14T		
27	FS6-0125-000		1	GEAR, 30T		
28	FU5-0206-000		1	GEAR, 15T		
29	FU5-2120-000		1	SPRING, COMPRESSION		
30	XA9-0679-000		2	SCREW,MACH.,FLAT HEAD,M3X4		
31	FS1-9009-020		1	SCREW,STEPPED,M3		
32	FL2-0990-000		1	CABLE, COLOR DEVELOPING H.V.	J1613	

FIGURE & KEY NO.	PARTS NUMBER	R A N K	Q'TY	DESCRIPTION	SERIAL NUMBER/ REMARKS	S V C
33	FK2-0149-000		2	PHOTO-INTERRUPTER, TLP1253(C6)	PS8,19 J215,218	
34	FC5-1770-000		1	MOUNT, CATCH		
35	FL2-1178-000		1	TERMINAL, DRUM CONTACT		
36	XG9-0518-000		1	RING, O		
37	FC5-6403-000		2	SPACER		
38	FC5-1768-000		2	SEAL, END, UPPER		
39	FC5-1796-000		1	CASE, CLEANER		
40	FC5-1797-000		2	SEAL, FELT		
41	FL2-2473-010		1	BRUSH, CLEANING		
42	FC5-1839-000		2	SEAL, SIDE		
43	FC5-6271-000		1	ROLLER, MAGNET		
44	FL2-0422-000		1	PLATE, SCRAPER SHEET		
45	XG9-0491-000		2	BEARING, BALL		
46	FC5-2029-000		1	SPRING, LEAF		
47	FM2-0453-00U		1	RECONDITIONED ROTATION STOPPER		
48	FC5-2031-000		1	GUIDE, ROTATION STOPPER		
49	FC5-2046-000		1	BLOCK, ROTATION STOPPER		
50	FC5-6288-000		1	MOUNT, AUXILIARY		
51	FK2-0117-000		1	SOLENOID	SL10 J205	
52	FU5-0149-000		1	GEAR, 26T		
53	FU5-2122-000		1	SPRING, TENSION		
54	FC5-2026-000		1	COVER, WASTE TONER CARRIER		
55	FC5-2027-000		1	RETAINER, W.TONER CARRIER PIPE		
56	FU5-2108-000		1	SPRING, COMPRESSION		
57	FM2-0926-000		1	CABLE, DRUM HEATER	J7	
58	FM2-1000-000		1	CABLE, ROTARY CROSSMEMBER	J205,215-219	
59	VS1-7177-002		1	CONNECTOR, SNAP TIGHT, BK	J205	
60	VS1-7173-002		1	CONNECTOR, SNAP TIGHT, 2P	J219	
61	VS1-7164-016		1	CONNECTOR, SNAP TIGHT, 16P	J217	
62	FC5-6222-000		1	MOUNT, REMNANT SENSOR		
63	FK2-0003-00U		1	RECONDITIONED PHOTO SENSOR	PS25 J220	
64	VS1-7177-003		4	CONNECTOR, SNAP TIGHT, BK	J206,209,213,221	

FIGURE & KEY NO.	PARTS NUMBER	R A N K	Q'TY	DESCRIPTION	SERIAL NUMBER/ REMARKS	S V C
65	FM2-0913-000		1	CABLE, COLOR TONER SENSOR	J211,213,220,221	
66	VS1-7177-004		1	CONNECTOR, SNAP TIGHT, BK	J211	
67	FM2-0424-000		1	CLEANER BLADE ASSEMBLY		
68	FA3-2441-020		1	SHAFT, BLADE		
69	FB2-6890-000		1	SPRING, LEAF		
70	FC5-1788-000		1	BLADE, PLATE		
71	FC5-1795-00U		1	RECONDITIONED RETAINER, BLADE		
72	FL2-0421-000		1	PLATE, BLADE SWING		
73	FU5-2121-000		1	SPRING, TENSION		
74	FM2-0428-000		1	PRE-CONDITIONING UNIT		
75	FK2-0005-000		1	LED ARRAY	LED1 J206	
76	FC5-6266-000		3	SHEET, HOLE CLOSE		
77	FL2-0440-000		1	RAIL, 1ST, RIGHT		
78	FM2-0947-000		1	CABLE, AP-KIT	J201,206,207,209,211,J21 7,221	
79	FC5-5136-000		2	SCRAPER, END		
81	FL2-0465-000		3	RETAINER, CYLINDER, FRONT		
82	FL2-0466-000		3	RETAINER, CYLINDER, REAR		
83	FC5-6368-000		1	SCRAPER, REAR		
84	FC5-6367-000		1	SCRAPER, FRONT		
85	FC5-1983-000		3	BUSHING		
86	FU5-0143-000		3	GEAR, 14T		
87	FU5-0141-000		3	GEAR, 16T		
88	FL2-1189-000		3	COVER, TONER SUPPLY		
89	FM2-0406-000		1	PROCESS UNIT ASSY		
90	FC6-4778-000		1	TONER CARTRIDGE COVER		
501	XB1-2300-607		AR	SCREW,MACH.,TRUSS HEAD,M3X6		
502	XB1-2400-807		AR	SCREW,MACH.,TRUSS HEAD,M4X8		
503	XB4-5401-007		AR	SCREW,P,M4X10		
504	XB4-5301-007		AR	SCREW,P,M3X10		
504	XB4-7300-807		AR	SCREW,TAPPING,TRUSS HEAD,M3X8		
505	XD2-1100-322		AR	RING,E		

FIGURE & KEY NO.	PARTS NUMBER	RANK	Q'TY	DESCRIPTION	SERIAL NUMBER/REMARKS	SVC
506	XD2-1100-502		AR	RING,E		
507	XD2-2300-402		AR	RING,TOOTHED LOCK		
508	XB1-2400-607		AR	SCREW,MACH.,TRUSS HEAD,M4X6		
509	XB2-8300-607		AR	SCREW,W/WASHER,M3X6		
510	XD2-2300-602		AR	RING,TOOTHED LOCK		
511	XB4-5300-807		AR	SCREW,P,M3X8		
512	XD2-1100-642		AR	RING,E		
513	XB1-2300-407		AR	SCREW,MACH.,TRUSS HEAD,M3X4		
514	XD3-1300-102		AR	PIN,SPRING		
515	XB1-2400-407		AR	SCREW,MACH.,TRUSS HEAD,M4X4		

FIGURE 621 HOPPER ASSEMBLY (BK)

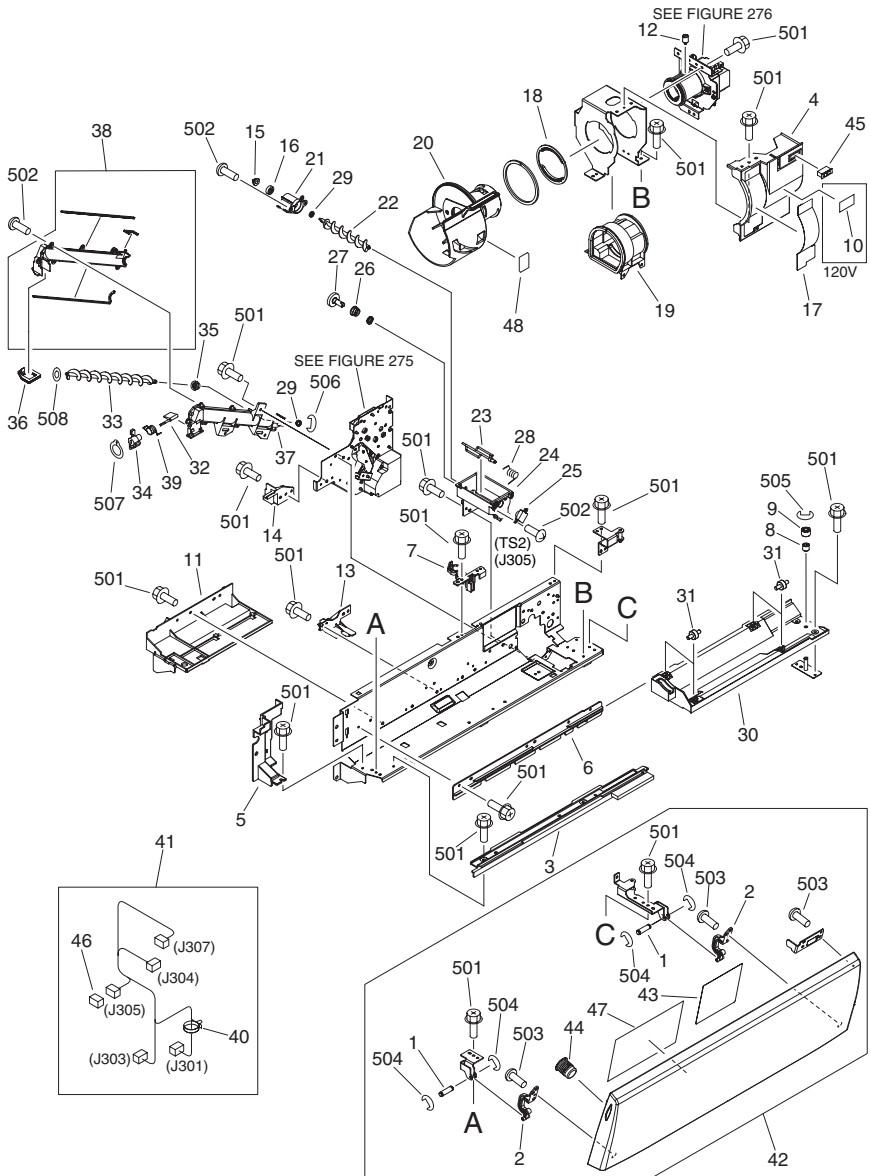
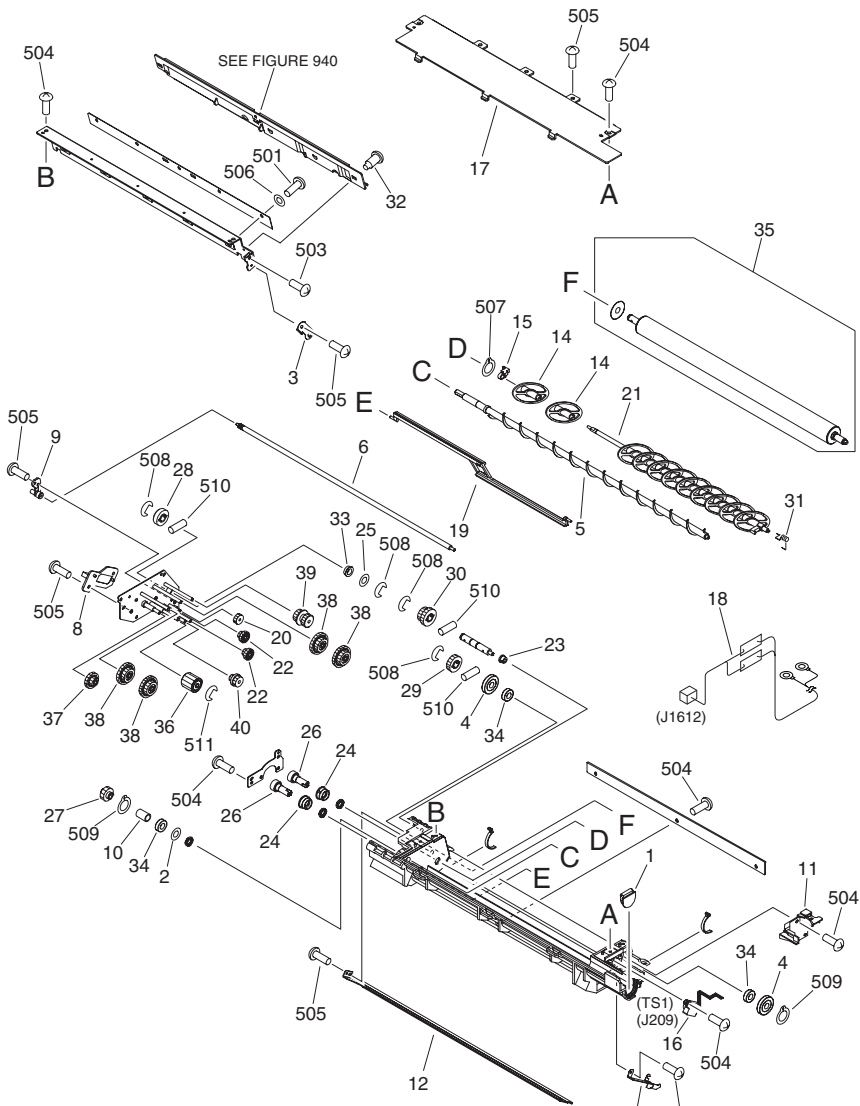


FIGURE & KEY NO.	PARTS NUMBER	R A N K	Q'TY	DESCRIPTION	SERIAL NUMBER/ REMARKS	S V C
Fig.621	FM2-0437-010		1	HOPPER ASSEMBLY	BLACK	
1	FC5-1889-000		2	SHAFT, DOOR		
2	FC5-1892-000		2	ARM, DOOR		
3	FL2-2472-000		1	RAIL, 1		
4	FC5-1895-010		1	COVER, INTERNAL, 1		
5	FC5-1896-000		1	COVER, INTERNAL, 2		
6	FC5-1900-000		1	RAIL, 2		
7	FC5-1916-000		1	LEVER, LASER SHUTTER		
8	FC5-1949-000		1	ROLLER, SHAFT		
9	FC5-1950-000		1	ROLLER, BOTTLE STOP		
10	FS6-8992-000		1	LABEL, TONER	120V	
11	FC5-5087-000		1	DUCT, FIXING UPPER		
12	FC5-5091-000		1	SHAFT, RING		
13	FC5-6230-000		1	COVER, TONER		
14	FC5-6231-000		1	COVER, LASER		
15	FS5-1021-000		1	BUSHING		
16	FU5-0269-000		1	GEAR, 23T		
17	FU5-8087-000		1	LABEL, HOPPER RELEASE DIRECTION		
18	FC5-1945-000		1	HOLDER, RING		
19	FL2-0593-000		1	GUIDE, SUB HOPPER, UPPER		
20	FL2-0597-020		1	CAM, RING MOVEMENT		
21	FC5-1923-000		1	HOLDER, FEEDSCREW		
22	FC5-1925-000		1	FEEDSCREW		
23	FC5-1927-000		1	ROD, STIRRING		
24	FC5-1930-000		1	HOPPER, SUB		
25	FK2-0158-000		1	TONER SENSOR UNIT	TS2 J305	
26	FS2-1014-000		1	BUSHING		
27	FU5-0276-000		1	GEAR, 40T		
28	FU5-2155-000		1	SPRING, TORSION		
29	XG9-0111-000		2	SEAL, OIL		
30	FC5-1908-000		1	CASE, BOTTLE		
31	FC5-5092-000		4	ROLLER		

FIGURE & KEY NO.	PARTS NUMBER	RANK	Q'TY	DESCRIPTION	SERIAL NUMBER/REMARKS	SVC
32	FB2-8118-000		1	SHUTTER		
33	FC5-1926-000		1	FEEDSCREW		
34	FC5-1932-000		1	LEVER, SHUTTER		
35	FC5-1940-000		1	BUSHING		
36	FC5-6240-000		1	SEAL, COVER		
37	FL2-0594-000		1	PIPE, TONER FEEDER, 1		
38	FL2-0595-000		1	PIPE, TONER FEEDER, 2		
39	FU5-2167-000		1	SPRING, TORSION		
40	WT2-5565-000		1	CLAMP, CABLE		
41	FM2-0950-000		1	CABLE, HOPPER	J301,303-305,307	
42	FM2-1206-000		1	HOPPER DOOR UNIT		
43	FU5-8088-000		1	LABEL,REL. CONTROL INSTRUCTION		
44	XZ9-0563-000		1	MAGNET, CATCH		
45	XZ9-0603-000		1	CATCH, MAGNET		
46	VS1-7177-003		1	CONNECTOR, SNAP TIGHT, BK	J305	
47	FC6-2841-000		1	LABEL, BLACK T. BOTTLE CONTROL		
48	FC5-6372-000		1	SHEET, HOLE CLOSE		
501	XB3-6300-605		AR	SCREW,RS,M3X6		
502	XB4-5300-807		AR	SCREW,P,M3X8		
503	XB4-5400-807		AR	SCREW,P,M4X8		
504	XD2-1100-322		AR	RING,E		
505	XD2-1100-502		AR	RING,E		
506	XD2-1100-402		AR	RING,E		
507	XD2-2100-302		AR	RING,GRIP		
508	XD1-1103-129		AR	SHIM		

FIGURE 640 DEVELOPING ASSEMBLY (BK)



NOTE 1 : This assembly does not include the assembly shown in Figure 940.

NOTE 2 : This assembly does not include the part shown with key No. 32.

注 1 : このユニットにFigure 940のユニットは含まれません。

注 2 : このユニットにKey No. 32の部品は含まれません。

FIGURE & KEY NO.	PARTS NUMBER	R A N K	Q'TY	DESCRIPTION	SERIAL NUMBER/ REMARKS	S V C
Fig.640	FM2-0433-000		1	DEVELOPING ASSEMBLY	BLACKSEE NOTE 1	
1	FB2-6943-000		1	SUPPORT, SCREW		
2	FB2-8437-000		1	WASHER, PLAIN		
3	FC5-1861-000		1	PLATE, TERMINAL		
4	FC5-1863-000		2	ROLLER		
5	FC5-1871-000		1	FEEDSCREW		
6	FC5-1873-000		1	ROLLER, BIAS		
7	FC5-1876-000		1	TERMINAL, HIGH VOLTAGE		
8	FC5-1880-000		1	GUIDE, POSITIONING		
9	FC5-1917-000		1	HOLDER, BIAS ROLLER		
10	FC5-1943-000		1	SPACER		
11	FC5-1955-000		1	COVER, CABLE		
12	FL2-0446-000		1	CATCH, TONER		
14	FC5-6249-000		11	ROD, STIRRING		
15	FC5-6250-000		1	STOPPER, STIRRING		
16	FK2-0158-000		1	TONER SENSOR UNIT	TS1 J209	
17	FL2-0442-000		1	COVER, DEVELOPING CASE		
18	FM2-0965-000		1	CABLE, DEVELOPING CONNECT	J1612	
19	FL2-0444-000		1	ROD, STIRRING, 2		
20	FU5-0170-000		1	GEAR, 24T		
21	FC5-6330-000		1	ROD, STIRRING, 1		
22	FU5-0169-000		2	GEAR, 28T/16T		
23	FS1-1433-000		1	BUSHING		
24	FS2-1014-000		2	BUSHING		
25	FS5-6487-000		1	WASHER		
26	FU5-0151-000		2	GEAR, 20T		
27	FU5-0153-000		1	GEAR, 19T		
28	FU5-0277-000		1	GEAR, 25T		
29	FU5-0284-000		1	GEAR, 32T		
30	FU5-0295-010		1	GEAR, 20T/35T		
31	FU5-2110-000		1	SPRING, COMPRESSION		
32	RS5-9056-000		2	SCREW, STEPPED, M3	SEE NOTE 2	

FIGURE & KEY NO.	PARTS NUMBER	R A N K	Q'TY	DESCRIPTION	SERIAL NUMBER/ REMARKS	S V C
33	XG9-0211-000		1	BALL BEARING, MF128ZZ1MC3D4M		
34	XG9-0491-000		3	BEARING, BALL		
35	FL2-0449-000		1	DEVELOPING CYLINDER UNIT		
36	FU5-0164-000		1	GEAR, 29T		
37	FU5-0165-000		1	GEAR, 23T/16T		
38	FU5-0166-000		4	GEAR, 32T/20T		
39	FU5-0294-010		1	GEAR, 18T/17T		
40	FU5-0168-000		1	GEAR, 20T/16T		
501	XB1-2300-402		AR	SCREW,MACH.,TRUSS HEAD,M3X4		
502	XB2-8300-607		AR	SCREW,W/WASHER,M3X6		
503	XB2-7400-607		AR	SCREW,W/WASHER,M4X6		
504	XB4-5300-807		AR	SCREW,P,M3X8		
505	XB6-7300-407		AR	SCREW,TP,M3X4		
506	XD1-1103-137		AR	SHIM		
507	XD2-2100-502		AR	RING,GRIP		
508	XD2-1100-642		AR	RING,E		
509	XD2-2100-802		AR	RING,GRIP		
510	XD3-2200-122		AR	PIN,DOWEL		
511	XD2-1100-322		AR	RING,E		

FIGURE 641 DEVELOPING ASSEMBLY(M/C/Y)

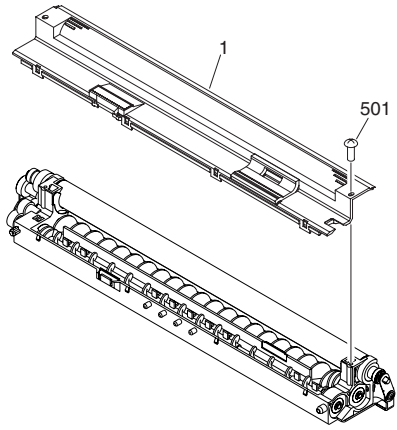


FIGURE & KEY NO.	PARTS NUMBER	RANK	Q'TY	DESCRIPTION	SERIAL NUMBER/REMARKS	SVC
Fig.641	FM2-0446-010		3	COLOR DEVELOPING ASSEMBLY	MAGENTA/CYAN/YELLOW	
1	FL2-0457-000		3	COVER, DEVELOPING CASE		
501	XB4-5301-007		AR	SCREW,P,M3X10		

FIGURE 680 ATR SENSOR ASSEMBLY

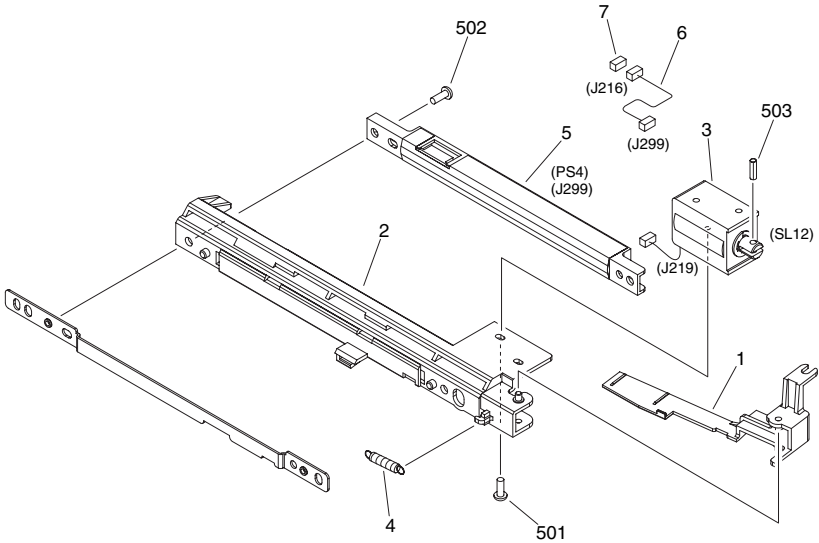


FIGURE & KEY NO.	PARTS NUMBER	RANK	Q'TY	DESCRIPTION	SERIAL NUMBER/REMARKS	SVC
Fig.680	NPN		RF	ATR SENSOR ASSEMBLY		
1	FC5-2577-000		1	SHUTTER, ATR		
2	FC5-2599-000		1	BRACKET, ATR		
3	FK2-0100-000		1	SOLENOID	SL12 J219	
4	FU5-2171-000		1	SPRING, TENSION		
5	FM2-0422-000		1	LIGHT ATR SENSOR UNIT	PS4 J299	
6	FM2-0917-000		1	CABLE, ATR SENSOR	J216, J299	
7	VS1-7173-006		1	CONNECTOR, SNAP TIGHT, 6P, W	J216	
501	XB1-2300-407		AR	SCREW, MACH., TRUSS HEAD, M3X4		
502	XB1-2300-607		AR	SCREW, MACH., TRUSS HEAD, M3X6		
503	XD3-1300-102		AR	PIN, SPRING		

FIGURE 775 WASTE TONER PIPE ASSEMBLY

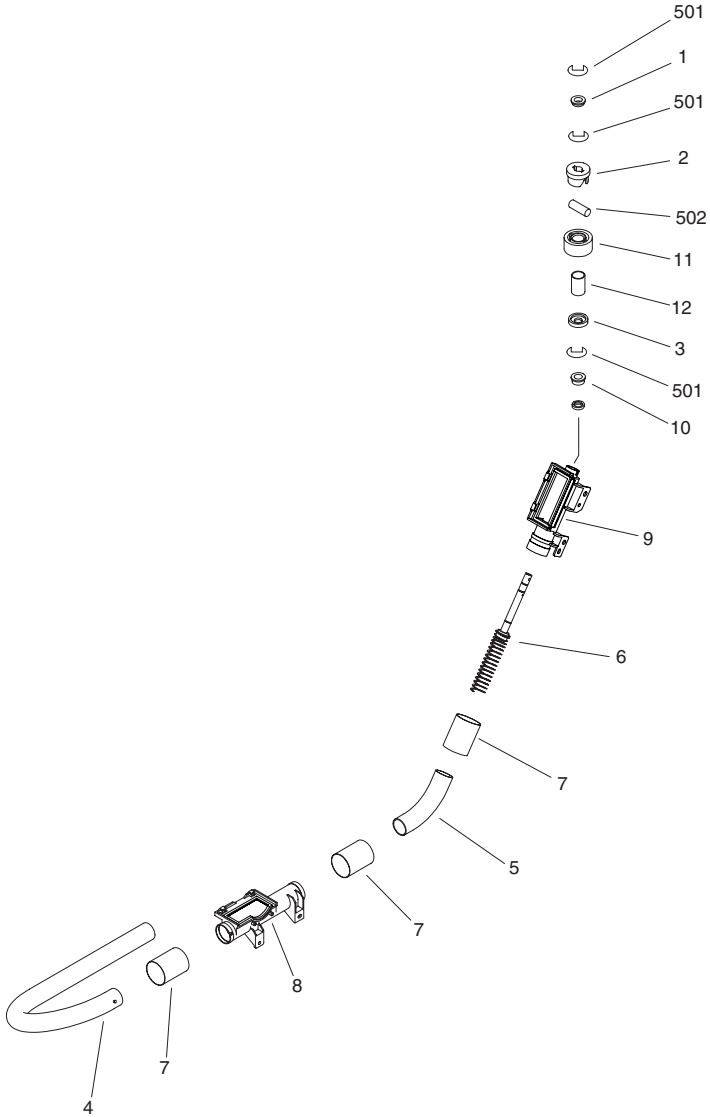
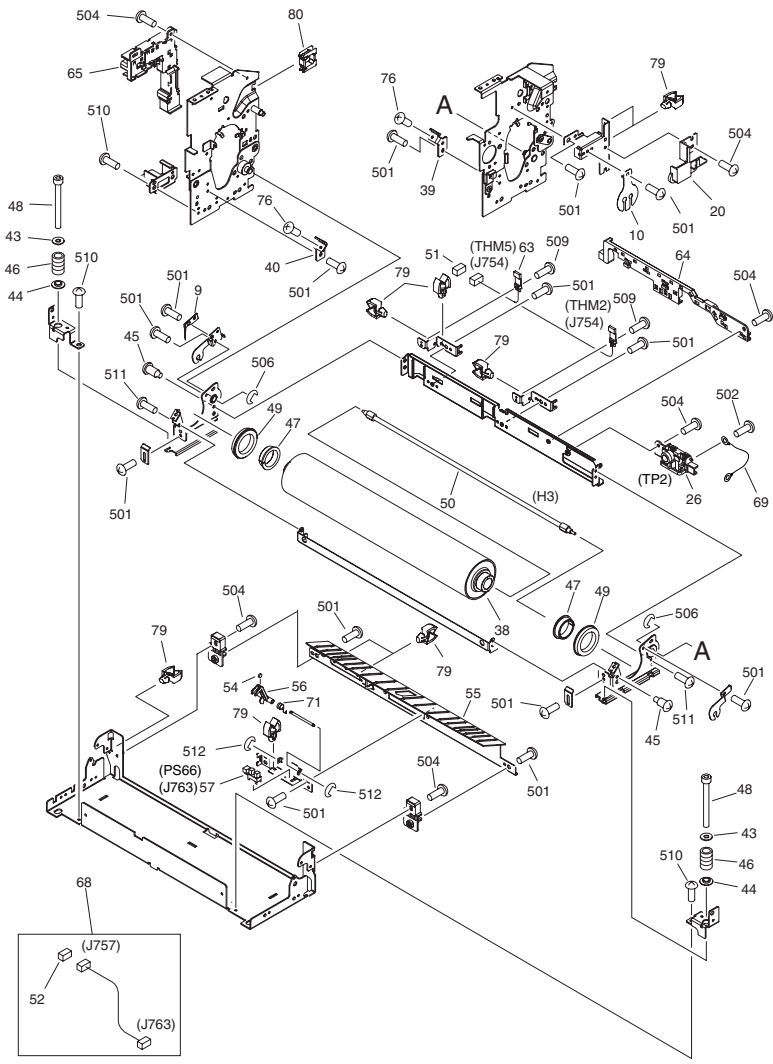


FIGURE & KEY NO.	PARTS NUMBER	R A N K	Q'TY	DESCRIPTION	SERIAL NUMBER/ REMARKS	S V C
Fig.775	FM2-0513-000		1	WASTE TONER PIPE ASSEMBLY		
1	FA9-2112-000		1	BUSHING		
2	FB2-7981-000		1	CAM		
3	FB4-1797-000		1	SUPPORT, SPRING		
4	FC5-2421-000		1	PIPE, WASTE TONER, 2		
5	FC5-2422-000		1	PIPE, WASTE TONER, 1		
6	FC5-2428-000		1	FEEDSCREW, WASTE TONER		
7	FC5-2435-000		3	TUBE		
8	FL2-0550-000		1	PIPE, WASTE TONER, 3		
9	FL2-0601-000		1	PIPE, WASTE TONER, 4		
10	FS1-1462-000		1	BUSHING		
11	FS6-0014-000		1	GEAR, 26T		
12	FU5-2182-000		1	SPRING, COMPRESSION		
501	XD2-1100-642		AR	RING,E		
502	XD3-2200-182		AR	PIN,DOWEL		



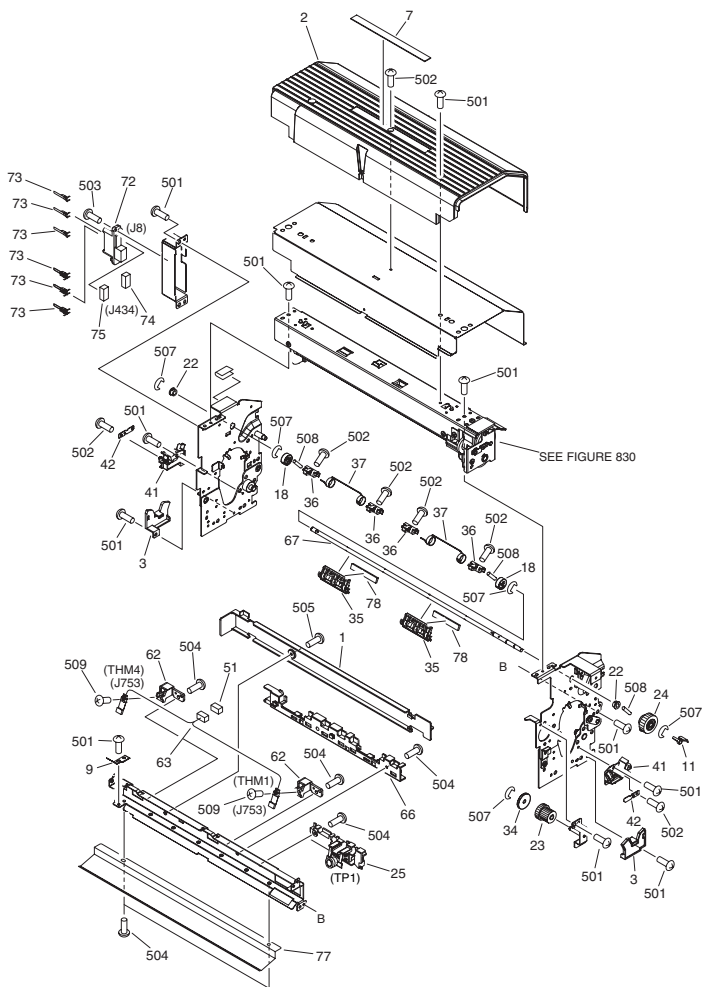


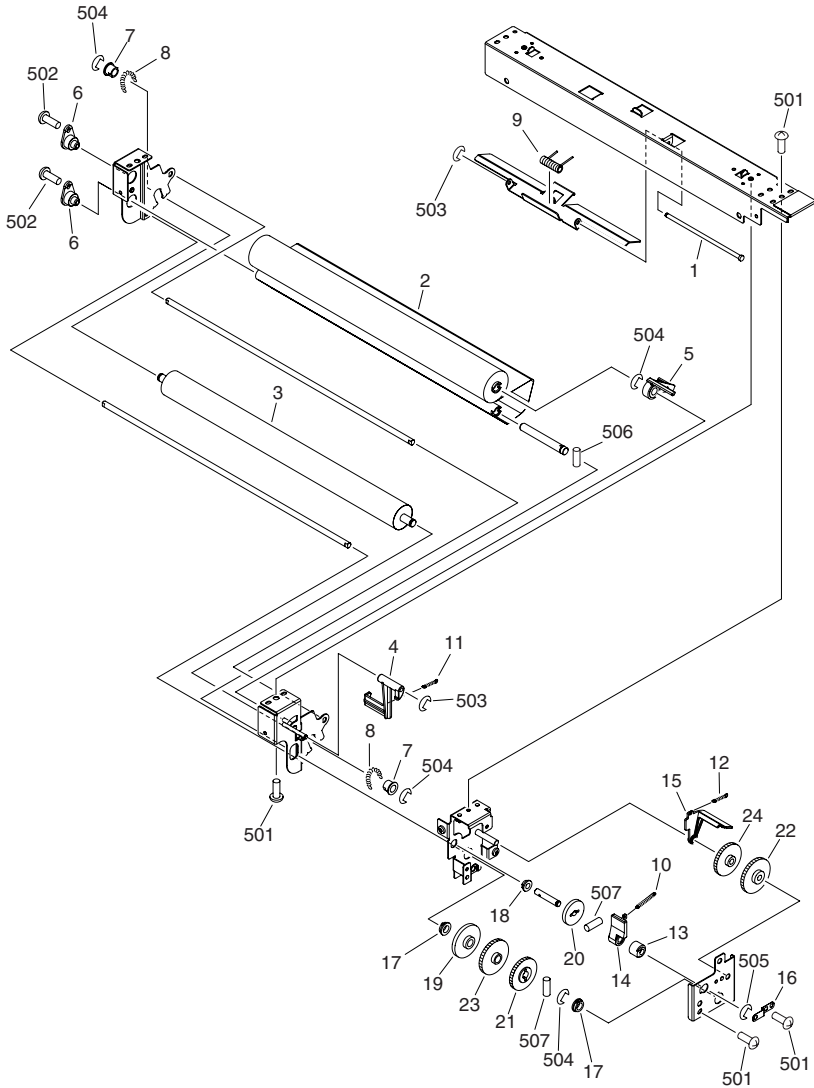
FIGURE & KEY NO.	PARTS NUMBER	R A N K	Q'TY	DESCRIPTION	SERIAL NUMBER/ REMARKS	S V C
Fig.810	FM2-1834-000		1	FIXING ASSEMBLY	100VSEE NOTE	
Fig.810	FM2-1835-000		1	FIXING ASSEMBLY	120VSEE NOTE	
Fig.810	FM2-1836-000		1	FIXING ASSEMBLY	230VSEE NOTE	
1	FC5-2292-000		1	COVER, FIXING C.MEMBER HARNESS		
2	FC5-2300-000		1	COVER, FIXING		
3	FC5-6226-000		2	COVER, HOLDER		
4	FL2-0508-000		2	PLATE, FIXING JOINT, FRONT		
5	FL2-0509-000		1	BRACKET, SUPPORT SHAFT, FRONT		
6	FL2-0510-000		1	PLATE, FIXING JOINT, REAR		
7	FU5-8105-000		1	LABEL, 'CAUTION, HIGH TEMP.'		
8	FU5-2134-000		2	SPRING, TENSION		
9	FB3-7543-000		2	PLATE, STATIC CHARGE ELI.		
10	FC5-2294-000		1	HOLDER, HEATER, FRONT		
11	FC5-2358-000		1	FLAG, HEATING SENSOR		
12	FC5-2581-000		2	RETAINER, BEARING		
13	FC5-2593-000		1	HOLDER, HEATER		
14	FC5-2595-000		1	TERMINAL, HEATER, 4		
15	FC5-2596-000		1	TERMINAL, HEATER, 3		
16	FK2-0043-000		1	HEATER, HALOGEN	100VH1	
16	FK2-0048-000		1	HEATER, HALOGEN	120VH1	
16	FK2-0053-000		1	HEATER, HALOGEN	230VH1	
17	XG9-0510-000		2	BEARING, BALL, NTN P0 32-42MM		
18	FC5-2297-000		2	CAM, DESORPTION		
19	FK2-0044-000		1	HEATER, HALOGEN	100VH2	
19	FK2-0049-000		1	HEATER, HALOGEN	120VH2	
19	FK2-0054-000		1	HEATER, HALOGEN	230VH2	
20	FC5-2360-000		1	GUIDE, HEATER CORD		
21	FM2-0932-000		1	CABLE, HEATING THERMISTOR	J755,765	
22	FS1-1213-000		2	BUSHING		
23	FU5-0177-000		1	GEAR, 23T/18T		
24	FU5-0178-000		1	GEAR, 24T		
25	FM2-0497-000		1	FIXING THERMOSWITCH UNIT	TP1	

FIGURE & KEY NO.	PARTS NUMBER	R A N K	Q'TY	DESCRIPTION	SERIAL NUMBER/ REMARKS	S V C
26	FM2-0498-000		1	PRESSURE THERMOSWITCH UNIT	TP2	
27	FM2-0499-000		1	HEATING THERMOSWITCH UNIT	TP3	
28	FB4-3692-030		2	RING, RETAINING		
29	FC6-4756-000		2	BUSHING		
30	FC5-6298-000		1	ROLLER, FIXING		
31	FC5-2590-020		1	SPACER, FIXING		
32	FU5-0176-010		1	GEAR, 57T		
33	XG9-0421-000		2	BEARING, BALL		
34	FC5-2331-000		1	SUPPORT, PAPER DELIVERY GEAR		
35	FC5-5146-000		2	HOLDER, CLEANING ROLL RETAININ		
36	FC5-5147-000		4	TENSIONER, C. ROLL RETAINING		
37	FU5-2173-000		2	SPRING, TORSION		
38	FC5-6299-000		1	ROLLER, PRESSURE		
39	FC5-2295-000		1	PLATE, PRESSURE, FRONT		
40	FC5-2296-000		1	PLATE, PRESSURE, REAR		
41	FC5-2322-000		2	HOLDER, HEATER TERMINAL		
42	FC5-2362-000		3	PLATE, HEATER CONNECT TERMINAL		
43	FC5-2579-000		2	MOUNT, SPRING, 1		
44	FC5-2580-000		2	MOUNT, SPRING, 2		
45	FS1-9009-020		4	SCREW, STEPPED, M3		
46	FU5-2133-000		2	SPRING, COMPRESSION		
47	RB1-0325-000		2	BUSHING		
48	XA9-1479-000		2	BOLT, ALLEN HEAD, M5X50		
49	XG9-0443-000		2	BEARING, BALL, 9806ZZNRS1C4		
50	FK2-0045-000		1	HEATER, HALOGEN	100VH3	
50	FK2-0050-000		1	HEATER, HALOGEN	120VH3	
50	FK2-0055-000		1	HEATER, HALOGEN	230VH3	
51	VS1-7177-004		3	CONNECTOR, SNAP TIGHT, BK	J753,754,765	
52	VS1-7177-003		1	CONNECTOR, SNAP TIGHT, BK	J757	
53	VS1-7177-005		1	CONNECTOR, SNAP TIGHT, BK	J755	
54	FB6-3150-000		1	COLLAR, TRANSFER		
55	FC5-2321-000		1	GUIDE, INLET		

FIGURE & KEY NO.	PARTS NUMBER	R A N K	Q'TY	DESCRIPTION	SERIAL NUMBER/ REMARKS	S V C
56	FC5-5145-000		1	FLAG, FIXING INLET SENSOR		
57	FK2-0149-000		1	PHOTO-INTERRUPTER, TLP1253(C6)	PS66J763	
58	FC5-2377-000		2	RING, STOPPER		
59	FC5-2582-000		2	BUSHING		
60	FC5-2592-000		2	COVER, HEATER CABLE		
61	FK2-0047-000		1	HEATER, HALOGEN	100VH4	
61	FK2-0052-000		1	HEATER, HALOGEN	120VH4	
61	FK2-0057-000		1	HEATER, HALOGEN	230VH4	
62	FC5-2357-000		2	HOLDER, THERMISTOR		
63	FK2-0013-000		3	THERMISTOR UNIT	THM1-6 J753,754,765	
64	FC5-5174-020		1	GUIDE, THERMO CROSSMEMBER CORD		
65	FC5-2594-000		1	GUIDE, CABLE, REAR		
66	FC5-2301-000		1	GUIDE, CROSSMEMBER CORD		
67	FC5-2353-000		1	SHAFT, CAM		
68	FM2-0891-000		1	CABLE, FIXING INLET SENSOR	J757,763	
69	FM2-0931-000		1	CABLE, PRESSURE HEATER		
70	FC5-2285-000		1	ROLLER, HEATING		
71	FU5-2175-000		1	SPRING, TORSION		
72	VS1-7077-019		1	CONNECTOR, 19P, FEMALE	J8	
73	WS3-5884-000		6	PIN, CONTACT, 14-18AWG		
74	VS1-6313-010		1	CONNECTOR, 10P, FEMALE	J434	
75	VS1-6314-009		1	CONNECTOR, 9P, FEMALE	J434	
76	XA9-1547-000		2	SCREW, MACH., TRUSS HEAD, M5X6		
77	FC5-6377-00U		1	RECONDITIONED GUIDE, INLET,		
78	FC5-5148-000		2	PAD, CLEANING ROLL RETAINING		
79	WT2-5232-000		12	CLAMP, CABLE		
80	WT2-5699-000		2	CLIP, CABLE		
81	FC5-2330-000		1	BASE, ROLLER		
501	XB1-2400-607		AR	SCREW, MACH., TRUSS HEAD, M4X6		
502	XB2-8300-607		AR	SCREW, W/WASHER, M3X6		
503	XB2-8300-807		AR	SCREW, W/WASHER, M3X8		

FIGURE & KEY NO.	PARTS NUMBER	R A N K	Q'TY	DESCRIPTION	SERIAL NUMBER/ REMARKS	S V C
504	XB2-8400-807		AR	SCREW,W/WASHER,M4X8		
505	XB2-8402-007		AR	SCREW,W/WASHER,M4X20		
506	XD2-1100-642		AR	RING,E		
507	XD2-1100-502		AR	RING,E		
508	XD3-2200-102		AR	PIN,DOWEL		
509	XB2-8301-007		AR	SCREW,W/WASHER,M3X10		
510	XB6-7400-407		AR	SCREW,TP,M4X4		
511	XB1-2300-607		AR	SCREW,MACH.,TRUSS HEAD,M3X6		
512	XD2-1100-242		AR	RING,E		

FIGURE 830 FIXING CLEANER ASSEMBLY



NOTE : This assembly is included in the assembly shown in Figure 810.
 注 : このユニットはFigure 810のユニットに含まれます。

FIGURE & KEY NO.	PARTS NUMBER	R A N K	Q'TY	DESCRIPTION	SERIAL NUMBER/ REMARKS	S V C
Fig.830	FM2-0494-00U		1	RECONDITIONED FIXING CLEANER	SEE NOTE	
1	FA6-3071-000		1	ROD, PLATE MOUNTING		
2	FC5-2286-000		1	ROLL, FIXING CLEANER		
3	FC5-2287-000		1	ROLLER, CLEANING		
4	FC5-2336-000		1	ARM, CLEANING ROLL FEEDER		
5	FC5-2338-000		1	ARM, REMNANT SENSOR		
6	FC5-2370-000		2	BUSHING		
7	FS2-1256-000		2	BUSHING		
8	FS2-2325-000		2	SPRING, TENSION		
9	FS3-2053-000		1	SPRING, TORSION		
10	FU5-2130-000		1	SPRING, TENSION		
11	FU5-2156-000		1	SPRING, TENSION		
12	FU5-2158-000		1	SPRING, TENSION		
13	FB1-6833-000		1	BUSHING		
14	FC5-2369-020		1	ARM, ONE-WAY		
15	FC5-2371-000		1	FLAG, REMNANT SENSOR		
16	FC5-2597-020		1	SPRING, LEAF		
17	FS1-1449-000		2	BUSHING		
18	FS1-1569-000		1	BUSHING		
19	FS6-0105-000		1	GEAR, 22T/60T		
20	FS6-0134-000		1	GEAR		
21	FS7-0891-000		1	GEAR, 60T		
22	FS7-0893-000		1	GEAR, 22T/63T		
23	FS7-0894-000		1	GEAR, 19T/63T		
24	FS7-0895-000		1	GEAR, 19T/60T		
501	XB1-2400-607		AR	SCREW,MACH.,TRUSS HEAD,M4X6		
502	XB2-8400-807		AR	SCREW,W/WASHER,M4X8		
503	XD2-1100-322		AR	RING,E		
504	XD2-1100-642		AR	RING,E		
505	XD2-1100-502		AR	RING,E		
506	XD3-1300-142		AR	PIN,SPRING		
507	XD3-2200-122		AR	PIN,DOWEL		

FIGURE 900 CONTROLLER BOX ASSEMBLY (IR C6800/5800 Series)

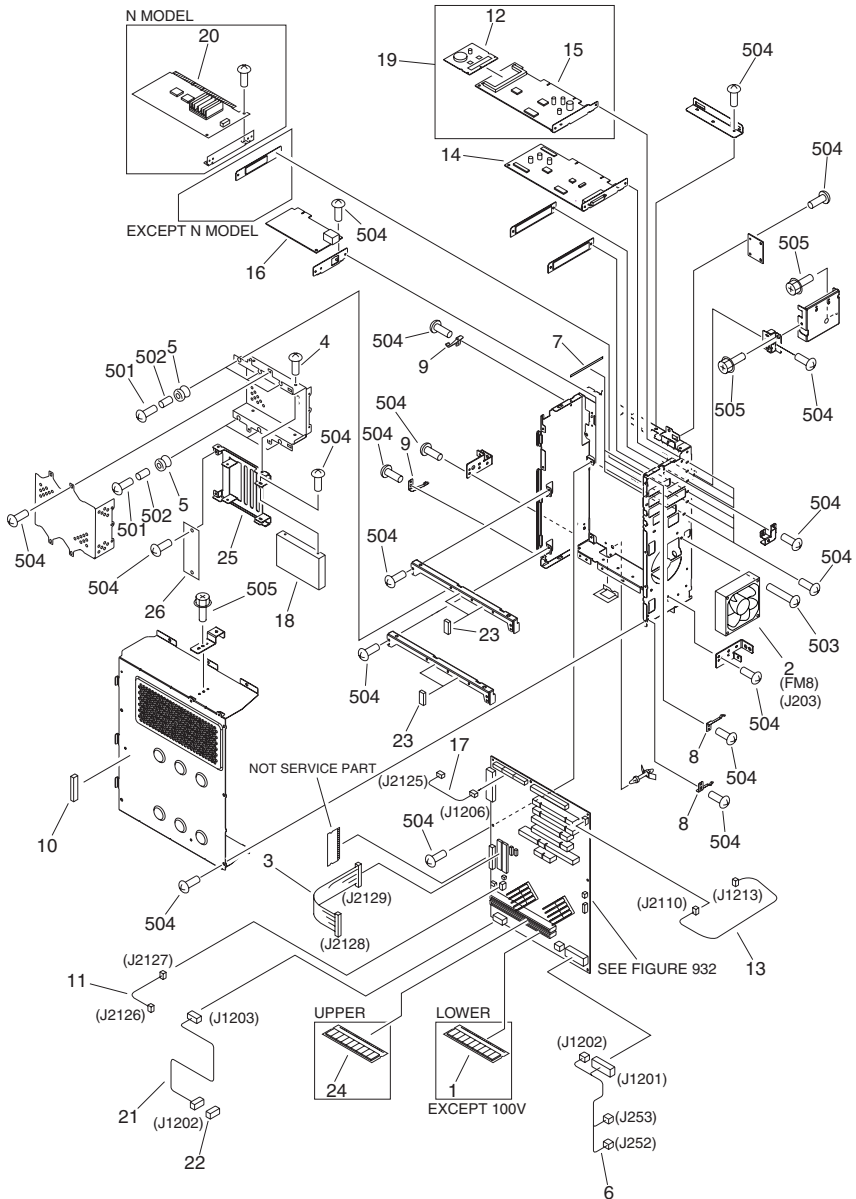


FIGURE & KEY NO.	PARTS NUMBER	R A N K	Q'TY	DESCRIPTION	SERIAL NUMBER/ REMARKS	S V C
Fig.900	NPN		RF	CONTROLLER BOX ASSEMBLY		
1	WA7-4106-000		1	DIMM, SMS-25628QN2P-H, SD-RAM	EXCEPT 100V	
2	FH5-1111-000		1	FAN	FM8 J203	
3	FH2-7018-000		1	FLAT CABLE, HDD, 1	J2128,2129	
4	XA9-1496-000		4	SCREW,M3X6.4		
5	XH9-0132-000		6	DAMPER, CUSHION		
6	FM2-0937-000		1	CABLE, DC CONV. - MAIN BOARD	J252,253J1201,1202	
7	KE8-1056-095		3	GASKET		
8	FC5-0444-000		2	PLATE, GROUNDING		
9	FC5-0445-000		2	PLATE, GROUNDING		
10	KE8-1014-050		1	GASKET		
11	FM2-0892-000		1	CABLE, HARD DISK POWER SUPPLY	J2126,2127	
12	FG3-3986-000		1	SRAM BOARD PCB ASSEMBLY		
13	FM2-0902-000		1	CABLE, FRAME	J1213,2110	
14	FM2-0535-000		1	MAIN CONTROLLER SUB PCB ASS'Y		
15	FM2-0536-000		1	EXPANSION BUS PCB ASSEMBLY		
16	FM2-3892-000		1	NETWORK BOARD PCB ASSEMBLY		
17	FM2-0901-000		1	CABLE, ASSIST	J1206,2125	
18	FK2-9316-000		1	HDD,MK1665GSX		
19	FM2-1833-000		1	EX-BUS BOARD PCB ASSEMBLY		
20	FG3-2874-000		1	ETHERNET PCB	N MODEL	
21	FM2-0914-000		1	CABLE, CONTROLLER CONTROL	J1202,1203	
22	VS1-7173-003		1	CONNECTOR, SNAP TIGHT, 3P, W	J1202	
23	KE8-1053-025		4	GASKET		
24	WA7-4107-000		1	DIMM, SMS-51228QN2P-H, SD-RAM		
25	FC9-0282-000		1	PLATE,PATA-SATA CONVERSION		
26	FM2-5661-000		1	PCB ASS'Y, PATA-SATA		
501	XB2-5301-407		AR	SCREW,W/WASHER,M3X14		
502	XZ1-1301-005		AR	SPACER		
503	XB1-2403-006		AR	SCREW,MACH.,TRUSS HEAD,M4X30		
504	XB6-7300-607		AR	SCREW,TP,M3X6		
505	XB3-6401-005		AR	SCREW,RS,M4X10		

FIGURE & KEY NO.	PARTS NUMBER	RANK	Q'TY	DESCRIPTION	SERIAL NUMBER/REMARKS	SVC
IC2	FH4-6268-000		1	IC, L8A0422, C-MOS	N MODEL	
IC10	FH4-6300-000		1	IC, M38871M2-010GP, MPU		
IC15	FH4-6213-000		1	IC, HG75C017ABTV, STANDARD CEL		
IC17	FH4-6260-000		1	IC, M66446FP, STANDARD CELL		

FIGURE 900A CONTROLLER BOX ASSEMBLY (IR C6870/5870 Series)

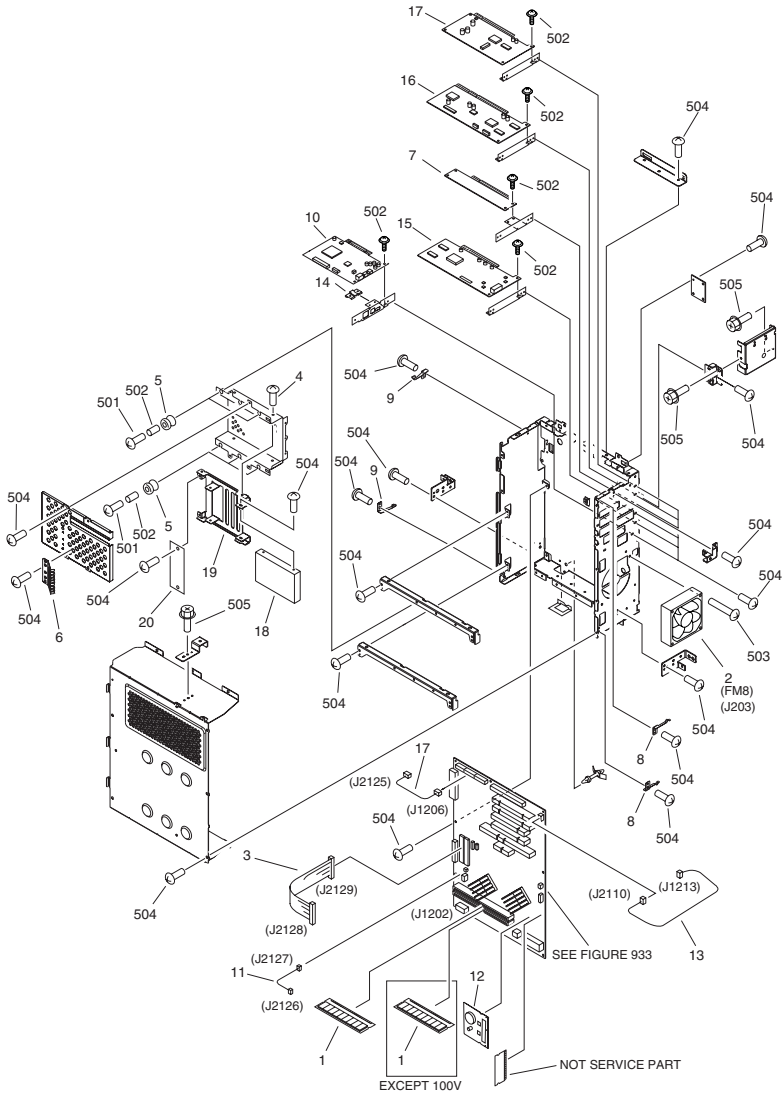


FIGURE & KEY NO.	PARTS NUMBER	R A N K	Q'TY	DESCRIPTION	SERIAL NUMBER/ REMARKS	S V C
Fig.900A	NPN		RF	CONTROLLER BOX ASSEMBLY		
1	FM2-6211-000		2	DIMM, DD4333-S512MDJ-CA,SD-RAM		
2	FH5-1111-000		1	FAN	FM8 J203	
3	FK2-3737-000		1	FLAT CABLE, HDD, 1	J2128,2129	
4	XA9-1496-000		4	SCREW,M3X6.4		
5	XH9-0132-000		6	DAMPER, CUSHION		
6	FC6-2861-000		1	PLATE, GROUNDING		
7	FM2-5919-000		1	GU-SHORT ASSEMBLY		
8	FC5-0444-000		2	PLATE, GROUNDING		
9	FC5-0445-000		2	PLATE, GROUNDING		
10	FM2-5898-000		1	MAIN CONTROLLER PCB ASS'Y,L-A		
11	FG3-3171-000		1	CABLE, HARD DISK POWER SUPPLY	J2126,2127	
12	FM2-6040-000		1	SRAM BOARD PCB ASSEMBLY		
13	FG3-3851-010		1	CABLE, FRAME	J1213,2110	
14	FC6-2859-000		1	PLATE, GROUNDING		
15	FM2-5899-000		1	MAIN CONTROLLER PCB ASS'Y,SJ-A		
16	FM2-5900-000		1	MAIN CONTROLLER PCB ASS'Y,PE-A		
17	FM2-8257-000		1	MAIN CONTROLLER PCB ASS'Y,R-A		
18	FK2-9316-000		1	HDD,MK1665GSX		
19	FC9-0282-000		1	PLATE,PATA-SATA CONVERSION		
20	FM2-5661-000		1	PCB ASS'Y, PATA-SATA		
501	XB2-5301-407		AR	SCREW,W/WASHER,M3X14		
502	XZ1-1301-005		AR	SPACER		
503	XB1-2403-006		AR	SCREW,MACH.,TRUSS HEAD,M4X30		
504	XB6-7300-607		AR	SCREW, CROSS-RECESS, FCH		
505	XB3-6401-005		AR	SCREW,RS,M4X10		
IC1	FH4-6235-000		1	IC,UPD800606S1, STANDARD CELL		
IC1	FH4-6237-000		1	IC,UPD800607S1,STANDARD CELL		
IC1	FH4-6239-000		1	DIMM ASS'Y		
IC2	FH4-6248-000		1	IC,HG76C026HFV,STANDARD CELL		
IC18	FH4-6247-000		1	IC,FUAA119AA,STANDARD CELL		

FIGURE 910 DC POWER SUPPLY ASSEMBLY

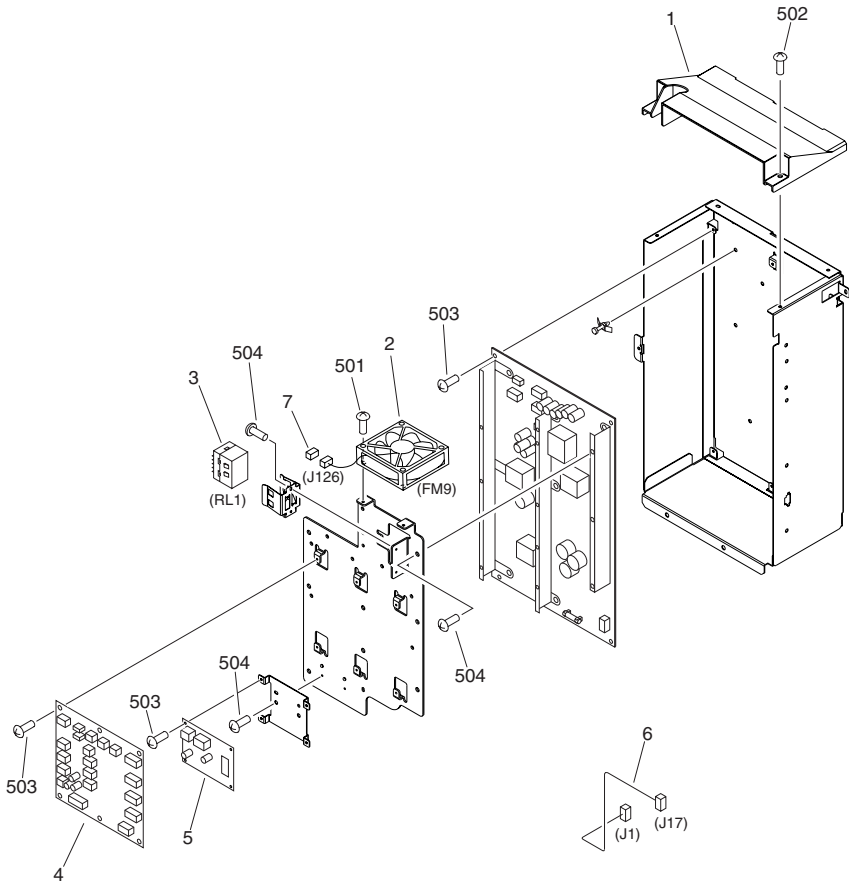
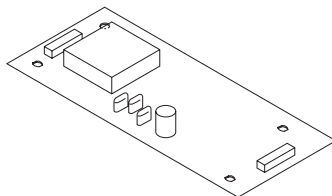


FIGURE & KEY NO.	PARTS NUMBER	R A N K	Q'TY	DESCRIPTION	SERIAL NUMBER/ REMARKS	S V C
Fig.910	FM2-0524-000		1	DC POWER SUPPLY ASSEMBLY	100/120V	
Fig.910	FM2-1229-000		1	DC POWER SUPPLY ASSEMBLY	230V	
1	FC5-2498-000		1	COVER, P. SUPPLY PCB HEATSINK		
2	FK2-0103-000		1	FAN	FM9 J126	
3	WB1-5198-000		1	RELAY	RL1	
4	FM2-0843-000		1	DC POWER RELAY PCB ASSEMBLY		
5	FM2-0848-000		1	DC DC CONVERTER PCB ASSEMBLY 2		
6	FM2-0981-000		1	CABLE, POWER SUPPLY AC CONNECT	J1,17	
7	VS1-7177-003		1	CONNECTOR, SNAP TIGHT, BK	J126	
501	XB6-7403-007		AR	SCREW,TP,M4X30		
502	XB1-2400-607		AR	SCREW,MACH.,TRUSS HEAD,M4X6		
503	XB6-7300-607		AR	SCREW,TP,M3X6		
504	XB2-4300-807		AR	SCREW,W/WASHER,M3X8		
L1	FH3-0725-000		1	COIL, CHOKE		

FIGURE 925 CONTROL PANEL INVERTER PCB ASSEMBLY



NOTE : This assembly is included in the assembly shown in Figure 130.
 注 : このユニットはFigure 130のユニットに含まれます。

FIGURE & KEY NO.	PARTS NUMBER	RANK	Q'TY	DESCRIPTION	SERIAL NUMBER/REMARKS	SVC
Fig.925	FG3-2376-000		1	C. PANEL INVERTER PCB ASSEMBLY	SEE NOTE	
T1	FH3-0961-020		1	TRANSFORMER, INVERTER		

FIGURE 930
DC CONTROLLER PCB ASSEMBLY

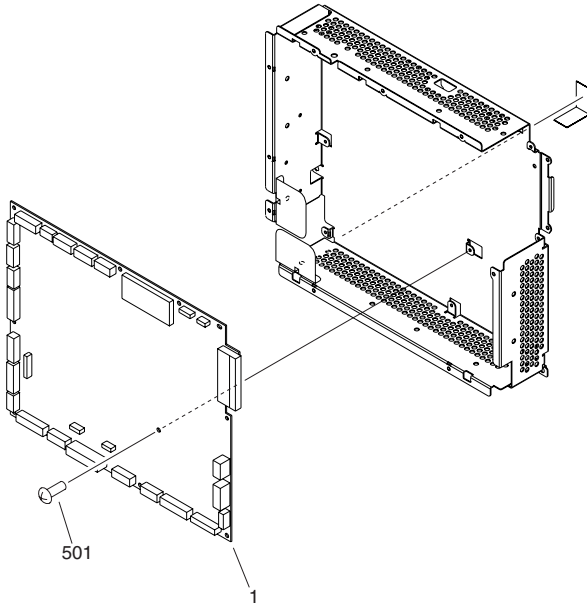


FIGURE & KEY NO.	PARTS NUMBER	R A N K	Q'TY	DESCRIPTION	SERIAL NUMBER/ REMARKS	S V C
Fig.930	NPN		RF	DC CONTROLLER PCB ASSEMBLY		
1	FM2-0866-030		1	DC CONTROLLER PCB ASSEMBLY	IR C6800/5800 Series100V	
1	FM2-0867-030		1	DC CONTROLLER PCB ASSEMBLY	IR C6800/5800 Series120V	
1	FM2-0868-030		1	DC CONTROLLER PCB ASSEMBLY	IR C6800/5800 Series230V	
1	FM2-6055-000		1	DC CONTROLLER PCB ASSEMBLY	IR C6870/5870 Series100V	
1	FM2-6056-000		1	DC CONTROLLER PCB ASSEMBLY	IR C6870/5870 Series120V	
1	FM2-6057-000		1	DC CONTROLLER PCB ASSEMBLY	IR C6870/5870 Series230V	
501	XB6-7300-607		AR	SCREW,TP,M3X6		
IC21	FK2-0104-000		1	IC, PM1100G, PWM		
IC23	FH4-6284-000		1	IC, UPD65882GC-015-8EU-A, ASIC		
IC29	FK2-0001-000		1	IC, MB87L4600E1, GATE ARRAY		
IC34	FH4-6284-000		1	IC, UPD65882GC-015-8EU-A, ASIC		
IC35	FK2-0134-000		1	IC, HD6432323VF20, MPU		
IC41	FH4-6300-000		1	IC, M38871M2-010GP, MPU		
IC46	FH4-6284-000		1	IC, UPD65882GC-015-8EU-A, ASIC		
IC105	WA4-8498-000		1	IC, TB6549FG, DRIVER		

FIGURE 932 MAIN CONTROLLER MAIN PCB ASSEMBLY

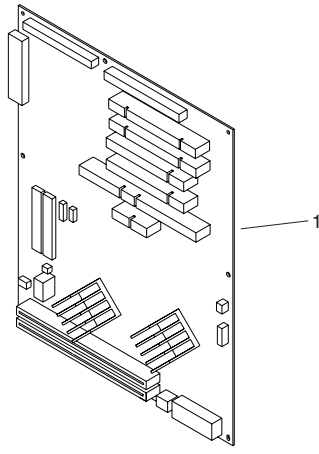


FIGURE & KEY NO.	PARTS NUMBER	RANK	Q'TY	DESCRIPTION	SERIAL NUMBER/REMARKS	SVC
1	FG3-2857-00U		1	MAIN CONTROLLER PCB ASSEMBLY	IR C6800/5800 Series	
1	FM2-6035-000		1	MAIN CONTROLLER PCB ASSEMBLY	IR C6870/5870 Series	
IC1	FK2-2902-000		1	IC, T8K21DXBG-6, STANDARD CELL	IR C6870/5870 Series	
IC2	FH4-6243-000		1	IC, L7A1860, STANDARD CELL	IR C6870/5870 Series	
IC9	FH4-6189-000		1	IC, HG75C018BTV, STANDARD CELL		
IC12	FH4-6271-000		1	IC, L7A1863, STANDARD CELL		
IC15	FH4-3926-000		1	IC, STANDARD CELL		
IC23	FH4-6250-000		1	IC, L7A1857, STANDARD CELL		
IC31	FH4-6218-000		1	IC, UPD89410S1, STANDARD CELL		
IC35	FH4-6214-000		1	IC, TC240E4804AF-42, GATE ARRAY		
IC45	FH4-6302-000		1	IC, S1L50552F32L000, ASIC	IR C6870/5870 Series	

FIGURE 935 READER CONTROLLER PCB ASSEMBLY

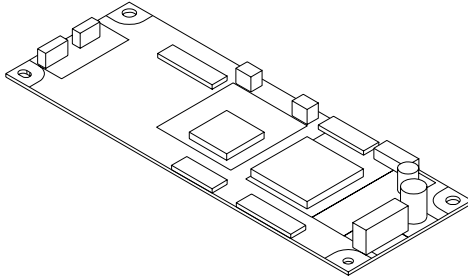


FIGURE & KEY NO.	PARTS NUMBER	RANK	Q'TY	DESCRIPTION	SERIAL NUMBER/REMARKS	SVC
Fig.935	FM2-1101-00U		1	RECONDITIONED CONTROLLER PCB		
IC1	FK2-0240-000		1	IC, HD6432323A01F, MCU		
IC2	FK2-0235-000		1	IC, MB87M1620, ASIC		

FIGURE 940 POTENTIAL SENSOR PCB ASSEMBLY

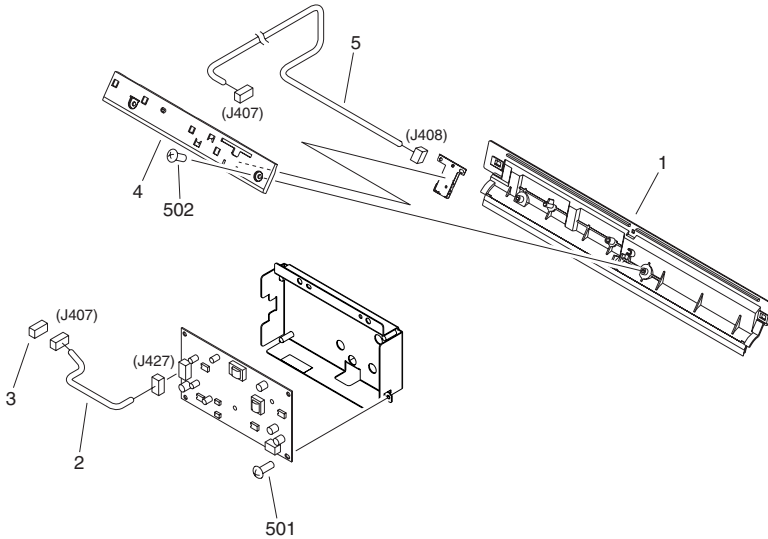


FIGURE & KEY NO.	PARTS NUMBER	RANK	Q'TY	DESCRIPTION	SERIAL NUMBER/REMARKS	SVC
Fig.940	FM2-0444-000		1	POTENTIAL SENSOR PCB ASSEMBLY		
1	FL2-0445-000		1	COVER, CYLINDER		
2	FL2-0985-000		1	CABLE,POTENTIAL SENSOR CONNECT	J407,427	
3	VS1-7177-006		1	CONNECTOR, SNAP TIGHT, BK	J407	
4	FC5-1864-000		1	MOUNT, POTENTIAL SENSOR		
5	FL2-0986-000		1	CABLE, POTENTIAL SENSOR	J407,408	
501	XB1-2400-607		AR	SCREW,MACH.,TRUSS HEAD,M4X6		
502	XB4-5300-807		AR	SCREW,P,M3X8		

FIGURE 941 DC DC CONVERTER PCB ASSEMBLY 1

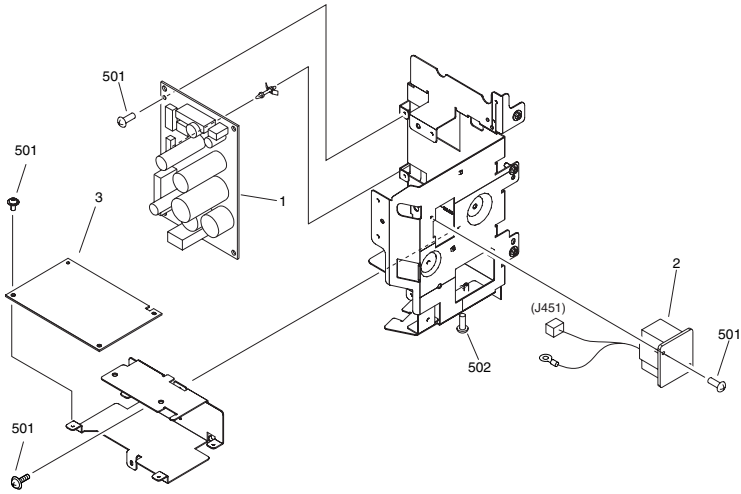


FIGURE & KEY NO.	PARTS NUMBER	R A N K	QTY	DESCRIPTION	SERIAL NUMBER/ REMARKS	S V C
Fig.941	NPN		RF	DC CONVERTER PCB ASSEMBLY		
1	FM2-0832-000		1	DC-DC CONVERTER PCB ASSEMBLY 1	IR C6800/5800 Series	
1	FM2-6049-010		1	DC-DC CONVERTER PCB ASSEMBLY 1	IR C6870/5870 Series	
2	FM2-0939-000		1	CABLE, FINISHER POWER SUPPLY	J451	
3	FK2-0101-000		1	ALL DAY POWER PCB	IR C6870/5870 Series100V/120V	
3	FK2-0111-000		1	ALL DAY POWER PCB	IR C6870/5870 Series230V	
501	XB1-2300-807		AR	SCREW,MACH.,TRUSS HEAD,M3X8		
502	XB1-2400-807		AR	SCREW,MACH.,TRUSS HEAD,M4X8		

FIGURE 961 FIXING FEEDING DRIVER PCB ASSEMBLY

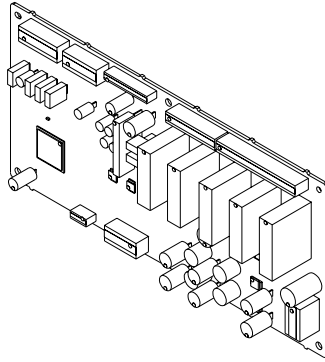


FIGURE & KEY NO.	PARTS NUMBER	RANK	Q'TY	DESCRIPTION	SERIAL NUMBER/REMARKS	SVC
Fig.961	FM2-0822-00U		1	RECONDITIONED FEED DRIVER PCB		
IC101	FH4-6204-000		1	IC, S1L50993F22H000,GATE-ARRAY		

FIGURE 980 HVT1 PCB ASSEMBLY

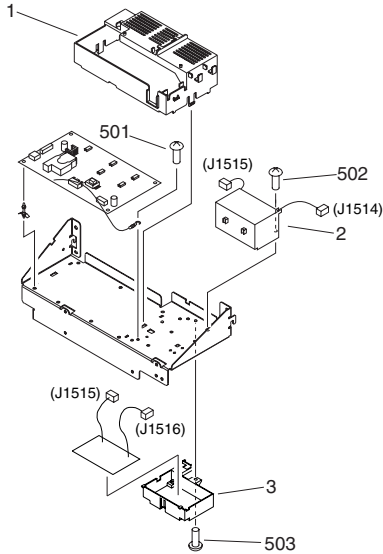


FIGURE & KEY NO.	PARTS NUMBER	RANK	Q'TY	DESCRIPTION	SERIAL NUMBER/REMARKS	SVC
Fig.980	FM2-0527-000		1	HVT1 PCB ASSEMBLY		
1	FC5-2476-000		1	COVER, PRE-TRANS. H.V. PCB, L.	J1514,1515	
2	FK2-0105-000		1	TRANSFORMER, H.V.		
3	FC5-6374-000		1	HOLDER, PCB		
501	XB2-7400-607		AR	SCREW,W/WASHER,M4X6		
502	XB2-8400-807		AR	SCREW,W/WASHER,M4X8		
503	XB1-2400-607		AR	SCREW,MACH.,TRUSS HEAD,M4X6		
J1512	FF2-0001-000		1	CABLE, GND		
T1	FH3-0967-000		1	TRANSFORMER, INVERTER		
T3	FK2-0143-000		1	TRANSFORMER		

FIGURE 981 HVT3 PCB ASSEMBLY

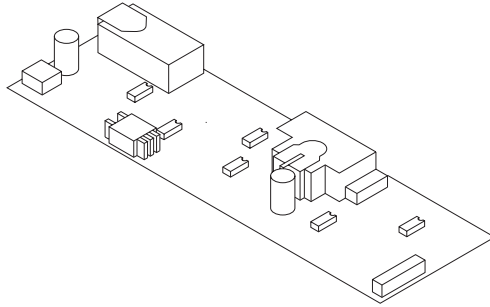


FIGURE & KEY NO.	PARTS NUMBER	RANK	Q'TY	DESCRIPTION	SERIAL NUMBER/REMARKS	SVC
Fig.981	FM2-0826-000		1	HVT3 PCB ASSEMBLY		
T1	FH3-0967-000		1	TRANSFORMER, INVERTER		
T2	FK2-0109-000		1	TRANSFORMER		

FIGURE 985 HVT2 PCB ASSEMBLY

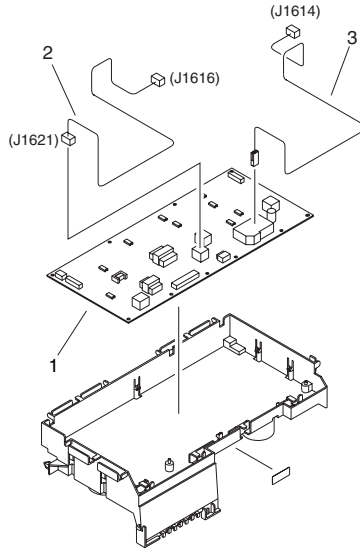
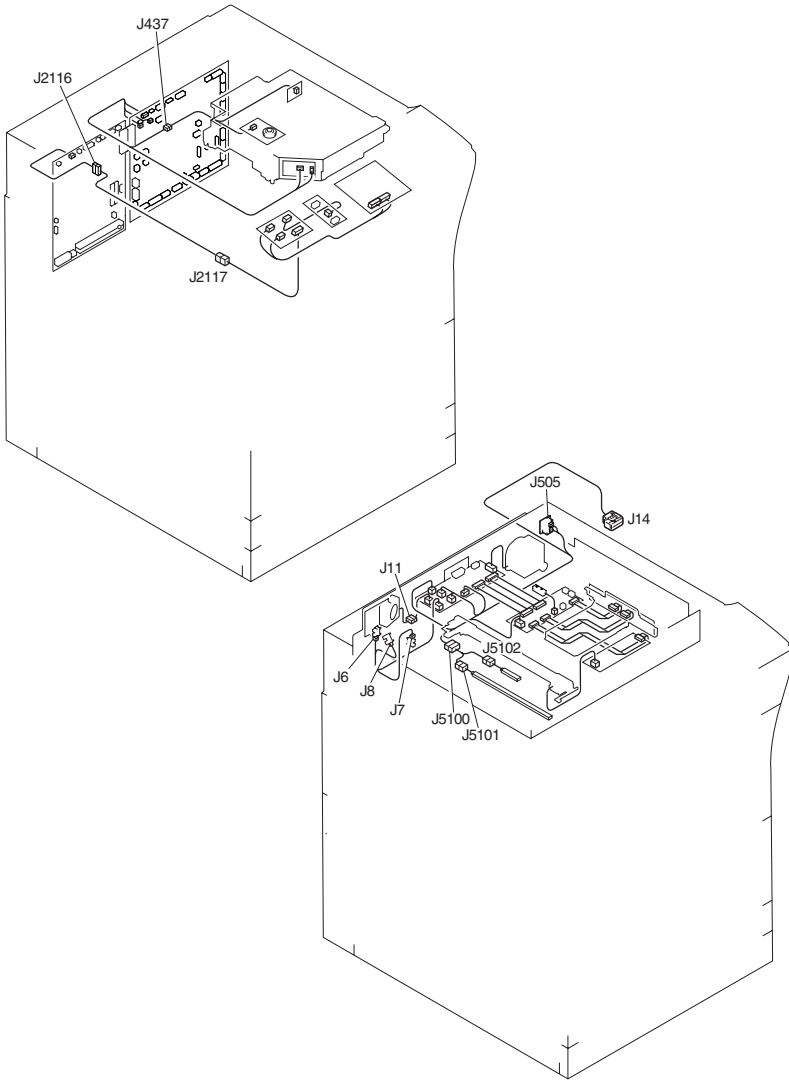
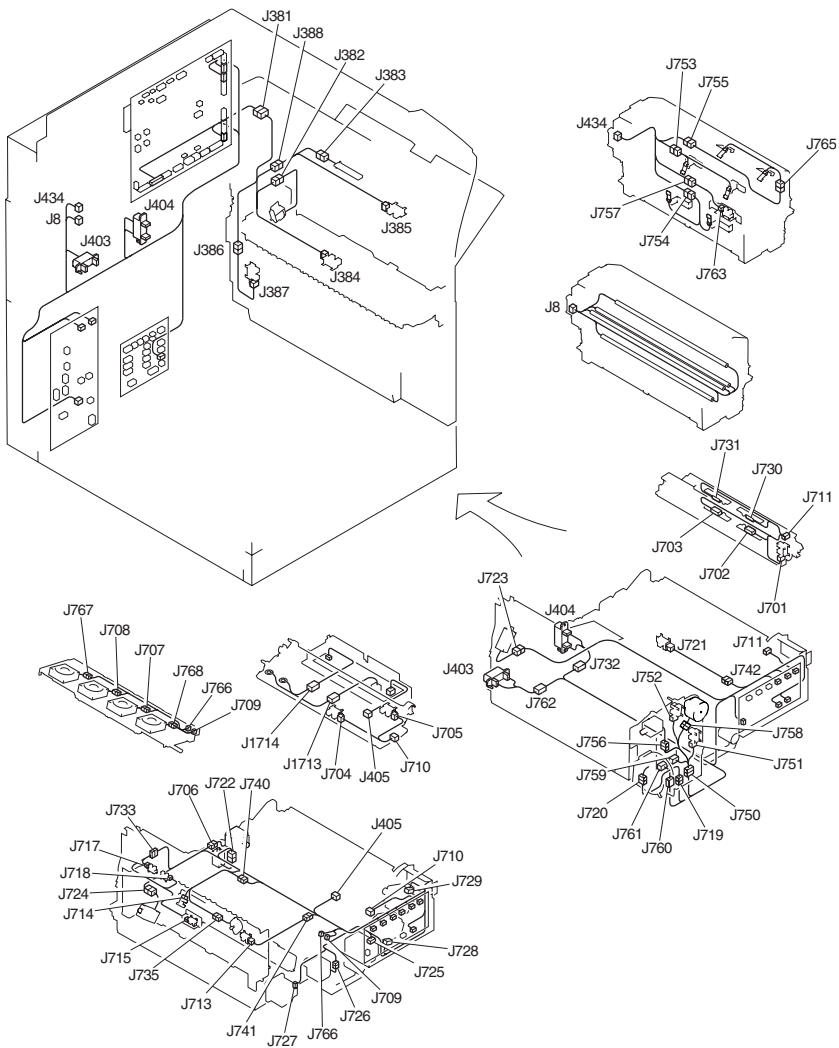
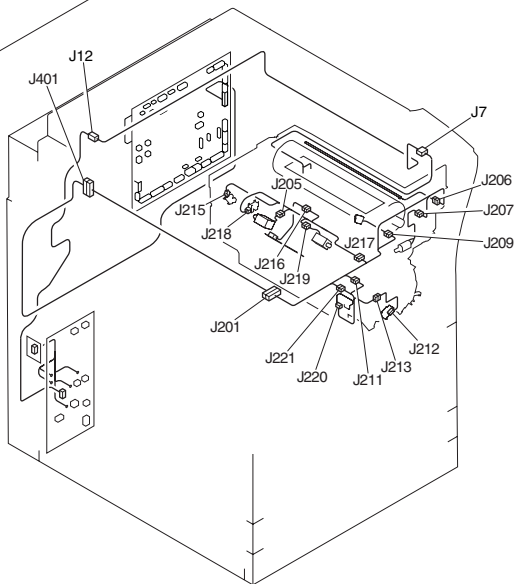
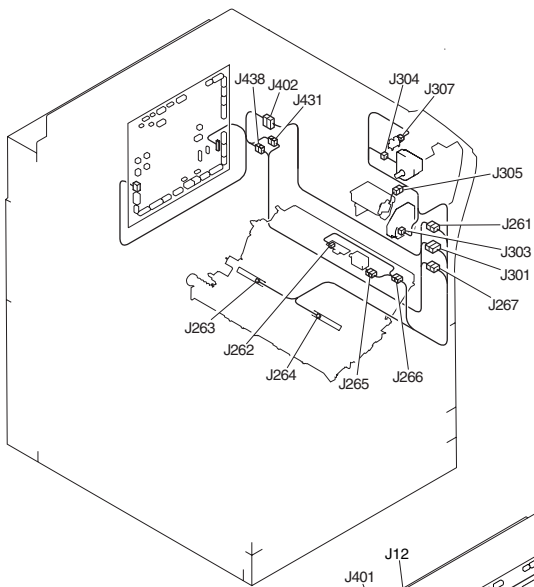


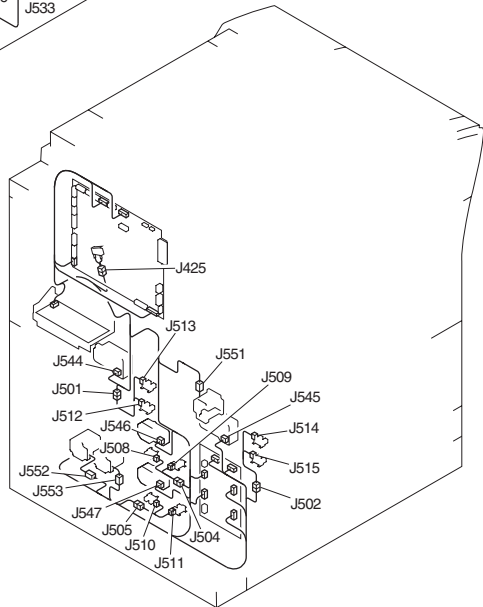
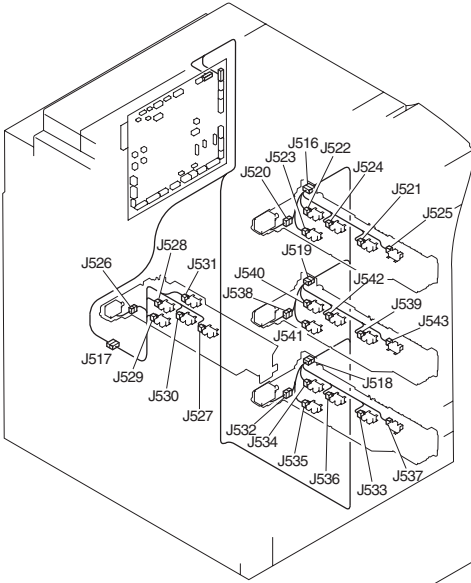
FIGURE & KEY NO.	PARTS NUMBER	RANK	Q'TY	DESCRIPTION	SERIAL NUMBER/REMARKS	SVC
Fig.985	NPN		RF	DEVELOPING H.V. PCB ASSEMBLY		
1	FM2-0528-000		1	DEVELOPING H.V. PCB ASSEMBLY		
2	FM2-0979-000		1	CABLE, PRI.TRANS. H.V. CONNECT	J1616,1621	
3	FM2-1008-000		1	CABLE, PRI. TRANSFER PCB H.V.	J1614	
T2	FH3-0967-000		1	TRANSFORMER, INVERTER		
T3	FH3-0967-000		1	TRANSFORMER, INVERTER		
T6	FH3-0967-000		1	TRANSFORMER, INVERTER		

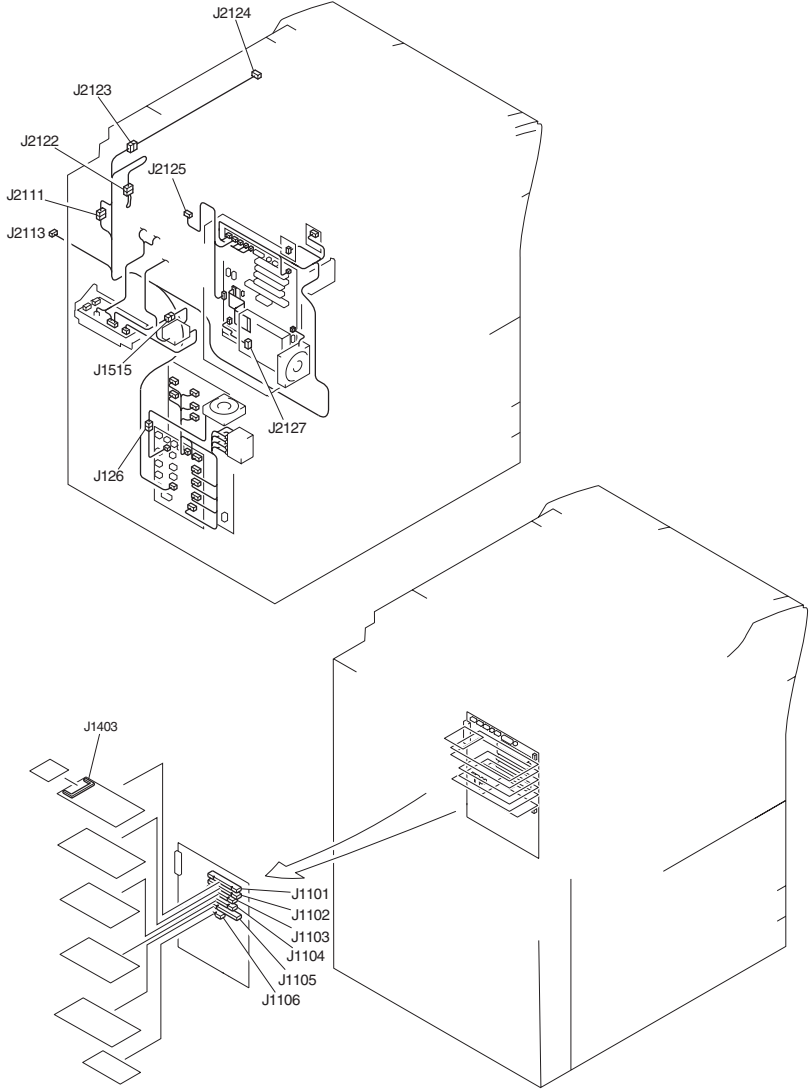
FIGURE B LIST OF CONNECTORS

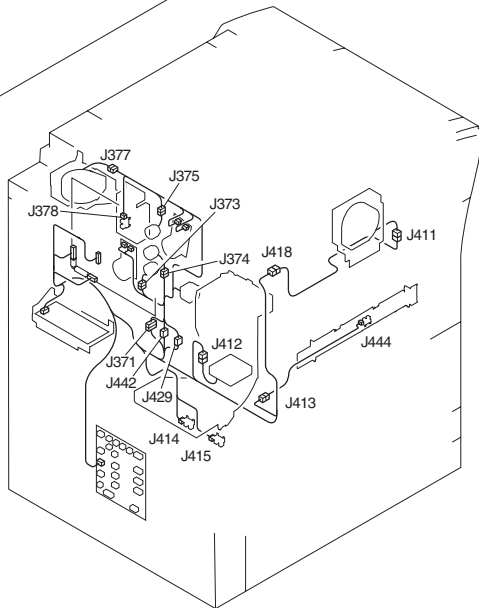
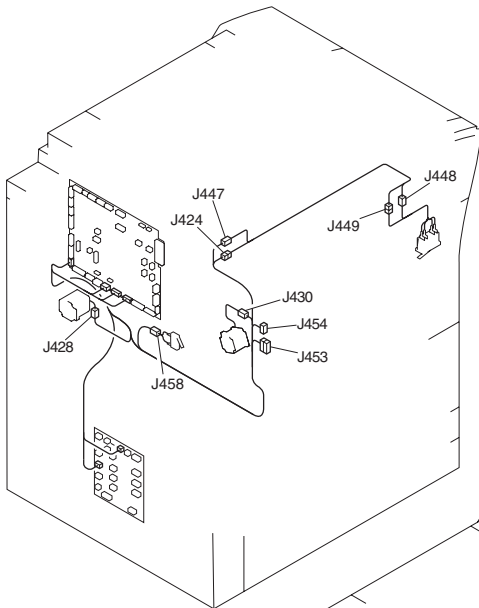












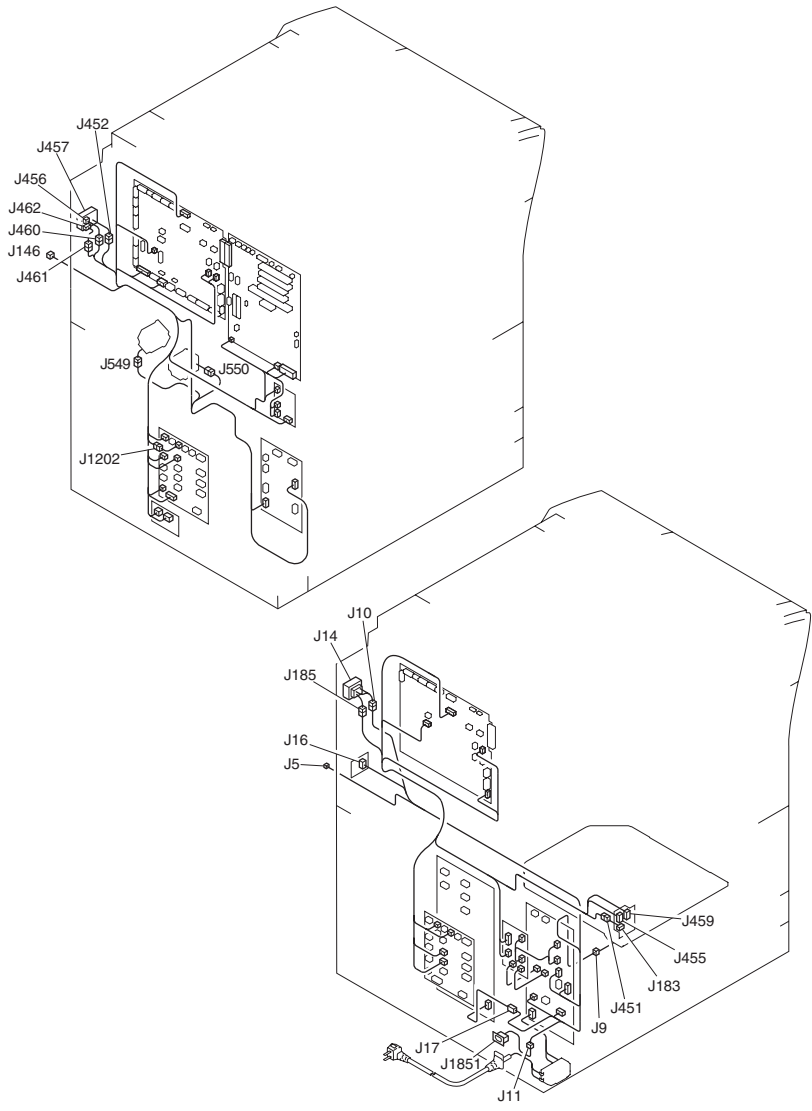


FIGURE & KEY NO.	PARTS NUMBER	RANK	Q'TY	DESCRIPTION	SERIAL NUMBER/REMARKS	SVC
Fig.B	NPN		RF	LIST OF CONNECTORS		
J1	PCB			MAIN POWER SUPPLY		
J1	VS1-7110-005		1	CONNECTOR, 5P, FEMALE, W		
J1	WS3-5859-000		2	CONTACT, SOCKET, 16-18AWG		
J3	FK2-0146-000		1	CORD, POWER SUPPLY	230V EXCEPT CA	
J3	FK2-0147-000		1	CORD, POWER SUPPLY	IR6800C/6800CN	
J3	FK2-0148-000		1	CORD, POWER SUPPLY	CA 230V	
J3	WS5-5050-000		1	INLET (CONNECTOR)	230V	
J5	SYS			TO FAX	ACCESSORY	
J5	VS1-7110-002		1	CONNECTOR, 2P, FEMALE, W		
J5	WS3-5858-000		2	CONTACT, SOCKET, 20-22AWG		
J6	NPN			ADF OPEN/CLOSE SENSOR 2	PS503	
J6	VS1-6321-003		1	CONNECTOR, 3P, FEMALE		
J7	NPN			SCANNER HOME POSITION SENSOR	PS501	
J7	VS1-6321-003		1	CONNECTOR, 3P, FEMALE		
J7	VS1-6982-003		1	CONNECTOR, 3P, MALE, W		
J7	VS1-7110-003		1	CONNECTOR, 3P, FEMALE, W		
J7	WS3-5815-000		2	CONTACT, PIN, 20-22AWG		
J7	WS3-5858-000		2	CONTACT, SOCKET, 20-22AWG		
J8	NPN			ADF OPEN/CLOSE SENSOR 1	PS502	
J8	VS1-6321-003		1	CONNECTOR, 3P, FEMALE		
J8	VS1-7077-019		1	CONNECTOR, 19P, FEMALE		
J8	VS1-7078-019		1	CONNECTOR, 19P, FEMALE, BK		
J8	WS3-5883-000		6	CONTACT, SOCKET, 14-18AWG		
J8	WS3-5884-000		6	PIN, CONTACT, 14-18AWG		
J9	NPN			CASSETTE HEATER	H7	
J9	VS4-0002-002		1	CONNECTOR, 2P, FEMALE		
J9	WS4-0218-000		2	SOCKET CONTACT, 22-26AWG		
J10	VS1-6982-003		1	CONNECTOR, 3P, MALE, W		
J10	VS1-7110-003		1	CONNECTOR, 3P, FEMALE, W		
J10	WS3-5815-000		2	CONTACT, PIN, 20-22AWG		
J10	WS3-5858-000		2	CONTACT, SOCKET, 20-22AWG		

FIGURE & KEY NO.	PARTS NUMBER	R A N K	Q'TY	DESCRIPTION	SERIAL NUMBER/ REMARKS	S V C
J11	NPN			READER COOLING FAN	FM13	
J11	VS1-6321-003		1	CONNECTOR, 3P, FEMALE		
J11	VS1-6982-003		1	CONNECTOR, 3P, MALE, W		
J11	VS1-7110-003		1	CONNECTOR, 3P, FEMALE, W		
J11	VS1-7177-003		1	CONNECTOR, SNAP TIGHT, BK		
J11	WS3-5815-000		2	CONTACT, PIN, 20-22AWG		
J11	WS3-5858-000		2	CONTACT, SOCKET, 20-22AWG		
J12	VS1-6982-003		1	CONNECTOR, 3P, MALE, W		
J12	VS1-7110-003		1	CONNECTOR, 3P, FEMALE, W		
J12	WS3-5815-000		2	CONTACT, PIN, 20-22AWG		
J12	WS3-5858-000		2	CONTACT, SOCKET, 20-22AWG		
J14	FH2-5821-000		1	CONNECTOR, 12P, MALE		
J14	FH2-5825-000		7	PIN CONTACT, 16-20AWG		
J14	FH2-6855-000		1	CONNECTOR, 12P, FEMALE		
J14	FH2-6986-000		1	HOUSING		
J14	WS3-5263-000		2	SOCKET CONTACT		
J14	WS3-5264-000		5	SOCKET CONTACT		
J16	NPN			MAIN SWITCH	SW1	
J16	RH2-5339-000		1	CONNECTOR, 4P, FEMALE		
J16	WT1-0579-000		4	RECEPTACLE		
J17	VS1-6982-003		1	CONNECTOR, 3P, MALE, W		
J17	VS1-7110-003		1	CONNECTOR, 3P, FEMALE, W		
J17	WS3-5744-000		2	CONTACT, PIN, 16-18AWG		
J17	WS3-5859-000		2	CONTACT, SOCKET, 16-18AWG		
J101	PCB			CCD/AP		
J101	FK2-0230-000		1	CABLE, FLAT		
J102	PCB			CCD/AP		
J102	FK2-0231-000		1	CABLE, FLAT		
J110	PCB			DC POWER SUPPLY		
J110	VS1-6314-007		1	CONNECTOR, 7P, FEMALE		
J112	PCB			DC POWER SUPPLY		
J112	VS1-7110-006		1	CONNECTOR, 6P, FEMALE, W		

FIGURE & KEY NO.	PARTS NUMBER	R A N K	Q'TY	DESCRIPTION	SERIAL NUMBER/ REMARKS	S V C
J112	WS3-5858-000		4	CONTACT, SOCKET, 20-22AWG		
J112	WS3-5859-000		2	CONTACT, SOCKET, 16-18AWG		
J113	PCB			DC POWER SUPPLY		
J113	VS1-7110-008		1	CONNECTOR, 8P, FEMALE, W		
J113	WS3-5858-000		6	CONTACT, SOCKET, 20-22AWG		
J113	WS3-5859-000		2	CONTACT, SOCKET, 16-18AWG		
J114	PCB			DC POWER SUPPLY		
J114	VS1-7110-007		1	CONNECTOR, 7P, FEMALE, W		
J114	WS3-5858-000		7	CONTACT, SOCKET, 20-22AWG		
J115	PCB			DC POWER SUPPLY		
J115	VS1-7110-009		1	CONNECTOR, 9P, FEMALE, W		
J115	WS3-5858-000		4	CONTACT, SOCKET, 20-22AWG		
J115	WS3-5859-000		4	CONTACT, SOCKET, 16-18AWG		
J116	PCB			DC POWER SUPPLY		
J116	VS1-7110-004		1	CONNECTOR, 4P, FEMALE, W		
J116	WS3-5858-000		4	CONTACT, SOCKET, 20-22AWG		
J117	PCB			DC POWER SUPPLY		
J117	VS1-7110-002		2	CONNECTOR, 2P, FEMALE, W		
J117	WS3-5858-000		2	CONTACT, SOCKET, 20-22AWG		
J118	PCB			DC POWER SUPPLY		
J118	VS1-6302-006		1	CONNECTOR, 6P, MALE		
J118	WS3-5569-000		4	PIN, CONTACT		
J119	PCB			DC POWER SUPPLY		
J119	VS1-6321-004		1	CONNECTOR, 4P, FEMALE		
J120	PCB			DC POWER SUPPLY		
J120	VS1-6302-002		1	CONNECTOR, 2P, MALE		
J120	WS3-5569-000		2	PIN, CONTACT		
J121	PCB			DC POWER SUPPLY		
J121	VS1-7110-005		1	CONNECTOR, 5P, FEMALE, W		
J121	WS3-5859-000		5	CONTACT, SOCKET, 16-18AWG		
J122	PCB			DC POWER SUPPLY		
J122	VS1-6314-003		1	CONNECTOR, 3P, MALE		

FIGURE & KEY NO.	PARTS NUMBER	RANK	Q'TY	DESCRIPTION	SERIAL NUMBER/REMARKS	SVC
J123	PCB			BOOSTER		
J123	VS1-7110-002		1	CONNECTOR, 2P, FEMALE, W		
J123	WS3-5859-000		2	CONTACT, SOCKET, 16-18AWG		
J124	PCB			RELAY BOARD		
J124	VS1-6314-005		1	CONNECTOR, 5P, FEMALE		
J125	PCB			DC POWER SUPPLY		
J125	VS1-6314-004		1	CONNECTOR, 4P, FEMALE		
J126	NPN			POWER SUPPLY FAN	FM9	
J126	VS1-6321-003		1	CONNECTOR, 3P, FEMALE		
J126	VS1-7177-003		1	CONNECTOR, SNAP TIGHT, BK		
J127	PCB			BOOSTER		
J127	VS1-7110-003		1	CONNECTOR, 3P, FEMALE, W		
J127	WS3-5859-000		2	CONTACT, SOCKET, 16-18AWG		
J130	PCB			RELAY BOARD		
J130	VS1-7110-002		1	CONNECTOR, 2P, FEMALE, W		
J130	WS3-5859-000		2	CONTACT, SOCKET, 16-18AWG		
J131	PCB			RELAY BOARD		
J131	VS1-6956-004		1	CONNECTOR, 4P, FEMALE		
J131	WS3-5688-000		4	CONTACT, SOCKET, 14-16AWG		
J132	PCB			RELAY BOARD		
J132	VS1-6958-004		1	CONNECTOR, 4P, FEMALE, BK		
J132	WS3-5688-000		4	CONTACT, SOCKET, 14-16AWG		
J133	PCB			RELAY BOARD		
J133	VS1-7110-007		1	CONNECTOR, 7P, FEMALE, W		
J133	WS3-5859-000		7	CONTACT, SOCKET, 16-18AWG		
J134	PCB			RELAY BOARD		
J134	VS1-7110-006		1	CONNECTOR, 6P, FEMALE, W		
J134	WS3-5859-000		6	CONTACT, SOCKET, 16-18AWG		
J135	PCB			RELAY BOARD		
J135	VS1-6314-010		1	CONNECTOR, 10P, FEMALE		
J140	PCB			DC POWER SUPPLY		
J140	VS1-6956-004		1	CONNECTOR, 4P, FEMALE		

FIGURE & KEY NO.	PARTS NUMBER	RANK	Q'TY	DESCRIPTION	SERIAL NUMBER/REMARKS	SVC
J140	WS3-5688-000		4	CONTACT, SOCKET, 14-16AWG		
J141	PCB			DC POWER SUPPLY		
J141	VS1-6958-004		1	CONNECTOR, 4P, FEMALE, BK		
J141	WS3-5688-000		4	CONTACT, SOCKET, 14-16AWG		
J142	PCB			DC POWER SUPPLY		
J142	VS1-7110-007		1	CONNECTOR, 7P, FEMALE, W		
J142	WS3-5859-000		7	CONTACT, SOCKET, 16-18AWG		
J143	PCB			DC POWER SUPPLY		
J143	VS1-7110-006		1	CONNECTOR, 6P, FEMALE, W		
J143	WS3-5859-000		6	CONTACT, SOCKET, 16-18AWG		
J144	PCB			DC POWER SUPPLY		
J144	VS1-6314-010		1	CONNECTOR, 10P, FEMALE		
J146	SYS			TO FAX	ACCESSORY	
J146	VS1-5824-004		1	CONNECTOR, 4P, FEMALE		
J146	WS3-5682-000		4	SOCKET CONTACT, 22-26AWG		
J183	SYS			TO FINISHER	ACCESSORY	
J183	FK2-0247-000		1	CONNECTOR, FEMALE		
J183	WS3-5596-000		3	PIN CONTACT, 18-24AWG		
J185	VS1-6982-004		1	CONNECTOR, 4P, MALE, W		
J185	VS1-7110-004		1	CONNECTOR, 4P, FEMALE, W		
J185	WS3-5815-000		4	CONTACT, PIN, 20-22AWG		
J185	WS3-5858-000		4	CONTACT, SOCKET, 20-22AWG		
J201	PCB			READER CONTROLLER		
J201	VS1-6302-008		1	CONNECTOR, 8P, MALE		
J201	VS1-6313-016		2	CONNECTOR, 16P, FEMALE		
J201	VS1-6314-016		2	CONNECTOR, 16P, FEMALE		
J201	VS1-7164-032		1	CONNECTOR, SNAP TIGHT, 32P, W		
J201	VT2-5161-032		2	HOLDER, CONNECTOR, 32P		
J201	WS3-5569-000		8	PIN, CONTACT		
J202	NPN			ITB CLEANING DESORPTION MOTOR	M21	
J202	PCB			READER CONTROLLER		
J202	VS1-6321-004		1	CONNECTOR, 4P, FEMALE		

FIGURE & KEY NO.	PARTS NUMBER	RANK	Q'TY	DESCRIPTION	SERIAL NUMBER/REMARKS	SVC
J202	FL2-0631-000		1	CABLE, FLEXIBLE FLAT		
J203	PCB			READER CONTROLLER		
J203	FL2-0631-000		1	CABLE, FLEXIBLE FLAT		
J203	NPN			CONTROLLER FAN	FM8	
J203	VS1-6321-003		1	CONNECTOR, 3P, FEMALE		
J204	PCB			READER CONTROLLER		
J204	FK2-0230-000		1	CABLE, FLAT		
J205	PCB			READER CONTROLLER		
J205	FK2-0231-000		1	CABLE, FLAT		
J205	NPN			ROTARY FIXED SOLENOID	SL10	
J205	VS1-6321-002		1	CONNECTOR, 2P, FEMALE		
J205	VS1-7177-002		1	CONNECTOR, SNAP TIGHT, BK		
J206	PCB			READER CONTROLLER		
J206	FK2-0234-000		1	CABLE, FLAT		
J206	NPN			PRE-CONDITIONING LED	LED1	
J206	VS1-6321-003		1	CONNECTOR, 3P, FEMALE		
J206	VS1-7177-003		1	CONNECTOR, SNAP TIGHT, BK		
J207	PCB			READER CONTROLLER	100/230V	
J207	NPN			DOCUMENT SIZE SENSOR	100/230V PS504	
J207	NPN			1ST WIRE CLEANING MOTOR	M26	
J207	VS1-6321-002		1	CONNECTOR, 2P, FEMALE		
J208	PCB			READER CONTROLLER	120V	
J208	NPN			DOCUMENT SIZE SENSOR	120V PS505	
J208	NPN			POST CORONA CLEANING MOTOR	M27	
J208	VS1-6321-002		1	CONNECTOR, 2P, FEMALE		
J208	VS1-7177-002		1	CONNECTOR, SNAP TIGHT, BK		
J209	NPN			BLACK T. REMNANT DETECT SENSOR	TS1	
J209	VS1-6321-003		1	CONNECTOR, 3P, FEMALE		
J209	VS1-7177-003		1	CONNECTOR, SNAP TIGHT, BK		
J210	NPN			CLEANNING DESORPTION HP SENSOR	PS23	
J210	VS1-6321-003		1	CONNECTOR, 3P, FEMALE		
J211	VS1-6321-004		2	CONNECTOR, 4P, FEMALE		

FIGURE & KEY NO.	PARTS NUMBER	RANK	Q'TY	DESCRIPTION	SERIAL NUMBER/REMARKS	SVC
J211	VS1-7177-004		1	CONNECTOR, SNAP TIGHT, BK		
J212	NPN			COLOR T. BOTTLE YES/NO SENSOR	PS26	
J212	VS1-6321-003		1	CONNECTOR, 3P, FEMALE		
J213	VS1-6321-003		2	CONNECTOR, 3P, FEMALE		
J213	VS1-7177-003		1	CONNECTOR, SNAP TIGHT, BK		
J214	VS1-6314-012		2	CONNECTOR, 12P, FEMALE		
J214	VS1-7173-012		1	CONNECTOR, SNAP TIGHT, 12P, W		
J215	NPN			ROTARY SOLENOID MOVING SENSOR	SR1	
J215	VS1-6321-003		1	CONNECTOR, 3P, FEMALE		
J216	VS1-6314-006		2	CONNECTOR, 6P, FEMALE		
J216	VS1-7173-006		1	CONNECTOR, SNAP TIGHT, 6P, W		
J217	VS1-6313-008		2	CONNECTOR, 8P, FEMALE		
J217	VS1-6314-008		2	CONNECTOR, 8P, FEMALE		
J217	VS1-7164-016		1	CONNECTOR, SNAP TIGHT, 16P		
J217	VT2-5161-016		2	HOLDER, CONNECTOR, 16P		
J218	NPN			ROTARY HOME POSITION SENSOR	PS19	
J218	VS1-6321-003		1	CONNECTOR, 3P, FEMALE		
J219	NPN			ATR SHUTTER SOLENOID	SL12	
J219	VS1-6314-002		1	CONNECTOR, 2P, FEMALE		
J219	VS1-7173-002		1	CONNECTOR, SNAP TIGHT, 2P		
J220	NPN			COLOR T. REMNANT DETECT SENSOR	PS25	
J220	VS1-6314-004		1	CONNECTOR, 4P, FEMALE		
J221	VS1-6321-003		2	CONNECTOR, 3P, FEMALE		
J221	VS1-7177-003		1	CONNECTOR, SNAP TIGHT, BK		
J250	PCB			DC/DC CONVERTER		
J250	VS1-7110-005		1	CONNECTOR, 5P, FEMALE, W		
J250	WS3-5859-000		5	CONTACT, SOCKET, 16-18AWG		
J251	PCB			DC/DC CONVERTER		
J251	VS1-6302-006		1	CONNECTOR, 6P, MALE		
J251	WS3-5569-000		4	PIN, CONTACT		
J252	PCB			DC/DC CONVERTER		
J252	VS1-7110-010		1	CONNECTOR, 10P, FEMALE, W		

FIGURE & KEY NO.	PARTS NUMBER	RANK	Q'TY	DESCRIPTION	SERIAL NUMBER/REMARKS	SVC
J252	WS3-5859-000		10	CONTACT, SOCKET, 16-18AWG		
J253	PCB			DC/DC CONVERTER		
J253	VS1-6302-004		1	CONNECTOR, 4P, MALE		
J253	WS3-5569-000		4	PIN, CONTACT		
J261	VS1-6313-008		1	CONNECTOR, 8P, FEMALE		
J261	VS1-6314-008		1	CONNECTOR, 8P, FEMALE		
J261	VS1-7173-008		1	CONNECTOR, SNAP TIGHT, 8P, W		
J262	NPN			PATCH SENSING SENSOR	PS2	
J262	VS1-6314-006		1	CONNECTOR, 6P, FEMALE		
J263	NPN			I.T.B. HOME POSITION SENSOR, R	PS30	
J263	VS1-6321-003		1	CONNECTOR, 3P, FEMALE		
J264	NPN			I.T.B. HOME POSITION SENSOR, F	PS1	
J264	VS1-6321-003		1	CONNECTOR, 3P, FEMALE		
J265	NPN			PATCH SENSING SHUTTER SOLENOID	SL11	
J265	VS1-6314-002		1	CONNECTOR, 2P, FEMALE		
J265	VS1-7173-002		1	CONNECTOR, SNAP TIGHT, 2P		
J266	VS1-6314-008		2	CONNECTOR, 8P, FEMALE		
J266	VS1-7173-008		1	CONNECTOR, SNAP TIGHT, 8P, W		
J267	VS1-6314-006		2	CONNECTOR, 6P, FEMALE		
J267	VS1-7173-006		1	CONNECTOR, SNAP TIGHT, 6P, W		
J299	NPN			ATR SENSOR	PS4	
J299	VS1-6321-006		1	CONNECTOR, 6P, FEMALE		
J301	PCB			ADF INTERFACE		
J301	VS1-7110-004		1	CONNECTOR, 4P, FEMALE, W		
J301	WS3-5859-000		4	CONTACT, SOCKET, 16-18AWG		
J301	VS1-6314-011		2	CONNECTOR, 11P, FEMALE		
J301	VS1-7173-011		1	CONNECTOR, SNAP TIGHT, 11P, W		
J303	NPN			SUB HOPPER MOTOR	M24	
J303	VS1-6321-002		1	CONNECTOR, 2P, FEMALE		
J304	NPN			BLACK TONER CRG. DRIVE MOTOR	M25	
J304	VS1-6321-002		1	CONNECTOR, 2P, FEMALE		
J305	PCB			ADF INTERFACE		

FIGURE & KEY NO.	PARTS NUMBER	RANK	Q'TY	DESCRIPTION	SERIAL NUMBER/REMARKS	SVC
J305	VS1-5452-007		1	CONNECTOR, 7P, FEMALE		
J305	VS1-6084-007		1	CONNECTOR, 7P, FEMALE		
J305	VS1-6197-014		1	CONNECTOR HOUSING		
J305	NPN			SUB H. REMNANT DETECT SENSOR	TS2	
J305	VS1-6321-003		1	CONNECTOR, 3P, FEMALE		
J305	VS1-7177-003		1	CONNECTOR, SNAP TIGHT, BK		
J306	PCB			ADF INTERFACE		
J306	NPN			SCANNER MOTOR	M501	
J307	PCB			ADF INTERFACE		
J307	FL2-0631-000		1	CABLE, FLEXIBLE FLAT		
J307	NPN			BLACK CARTRIDGE DOOR SENSOR	PS28	
J307	VS1-6321-003		1	CONNECTOR, 3P, FEMALE		
J308	PCB			ADF INTERFACE		
J308	FL2-0631-000		1	CABLE, FLEXIBLE FLAT		
J309	PCB			ADF INTERFACE		
J309	VS1-6302-009		1	CONNECTOR, 9P, MALE		
J309	WS3-5569-000		8	PIN, CONTACT		
J310	PCB			ADF INTERFACE		
J310	VS1-6314-009		1	CONNECTOR, 9P, FEMALE		
J312	PCB			ADF INTERFACE		
J312	VS1-7110-002		1	CONNECTOR, 2P, FEMALE, W		
J312	WS3-5858-000		2	CONTACT, SOCKET, 20-22AWG		
J313	PCB			ADF INTERFACE		
J313	VS1-6321-003		1	CONNECTOR, 3P, FEMALE		
J371	VS1-6313-015		2	CONNECTOR, 15P, FEMALE		
J371	VS1-6314-015		2	CONNECTOR, 15P, FEMALE		
J371	VS1-7164-030		1	CONNECTOR, SNAP TIGHT, 30P, W		
J371	VT2-5161-030		2	HOLDER, CONNECTOR, 30P		
J372	NPN			DEVELOPING MOTOR	M3	
J372	VS1-6321-008		1	CONNECTOR, 8P, FEMALE		
J373	NPN			COLOR DEVELOPING CLUTCH	CL1	
J373	VS1-6321-002		1	CONNECTOR, 2P, FEMALE		

FIGURE & KEY NO.	PARTS NUMBER	R A N K	Q'TY	DESCRIPTION	SERIAL NUMBER/ REMARKS	S V C
J373	VS1-7177-002		1	CONNECTOR, SNAP TIGHT, BK		
J374	NPN			COLOR TONER SUPPLY CLUTCH	CL2	
J374	VS1-6321-002		1	CONNECTOR, 2P, FEMALE		
J374	VS1-7177-002		1	CONNECTOR, SNAP TIGHT, BK		
J375	NPN			BLACK DEVELOPING CLUTCH	CL3	
J375	VS1-6321-002		1	CONNECTOR, 2P, FEMALE		
J375	VS1-7177-002		1	CONNECTOR, SNAP TIGHT, BK		
J376	NPN			DRUM/I.T.B. MOTOR	M2	
J376	VS1-6321-008		1	CONNECTOR, 8P, FEMALE		
J377	NPN			PRIMARY CORONA EXHAUST FAN	FM2	
J377	VS1-6321-003		1	CONNECTOR, 3P, FEMALE		
J377	VS1-7177-003		1	CONNECTOR, SNAP TIGHT, BK		
J378	NPN			DRUM HOME POSITION SENSOR	PS65	
J378	VS1-6321-003		1	CONNECTOR, 3P, FEMALE		
J381	VS1-6314-014		2	CONNECTOR, 14P, MALE		
J381	VS1-7173-014		1	CONNECTOR, SNAP TIGHT, 14P, W		
J382	NPN			MULTI MIDDLE PLATE SOLENOID	SL1	
J382	VS1-6321-002		1	CONNECTOR, 2P, FEMALE		
J382	VS1-7177-002		1	CONNECTOR, SNAP TIGHT, BK		
J383	PCB			FEED PAPER WIDTH SENSING		
J383	VS1-6321-003		1	CONNECTOR, 3P, FEMALE		
J384	NPN			MULTI PAPER YES/NO SENSOR	PS6	
J384	VS1-6321-003		1	CONNECTOR, 3P, FEMALE		
J385	NPN			MULTI LAST PAPER SENSOR	PS7	
J385	VS1-6321-003		1	CONNECTOR, 3P, FEMALE		
J386	VS1-6321-003		2	CONNECTOR, 3P, FEMALE		
J386	VS1-7177-003		1	CONNECTOR, SNAP TIGHT, BK		
J387	NPN			VERTICAL PATH 0 SENSOR	PS31	
J387	VS1-6321-003		1	CONNECTOR, 3P, FEMALE		
J388	VS1-6321-006		2	CONNECTOR, 6P, FEMALE		
J388	VS1-7177-006		1	CONNECTOR, SNAP TIGHT, BK		
J401	VS1-6313-016		2	CONNECTOR, 16P, FEMALE		

FIGURE & KEY NO.	PARTS NUMBER	R A N K	Q'TY	DESCRIPTION	SERIAL NUMBER/ REMARKS	S V C
J401	VS1-6314-016		2	CONNECTOR, 16P, FEMALE		
J401	VS1-7164-032		1	CONNECTOR, SNAP TIGHT, 32P, W		
J401	VT2-5161-032		2	HOLDER, CONNECTOR, 32P		
J402	VS1-6313-012		2	CONNECTOR, 12P, FEMALE		
J402	VS1-6314-012		2	CONNECTOR, 12P, FEMALE		
J402	VS1-7164-024		1	CONNECTOR, SNAP TIGHT, 24P, W		
J402	VT2-5161-024		2	CONNECTOR, 24P, FEMALE		
J403	VS1-6313-012		2	CONNECTOR, 12P, FEMALE		
J403	VS1-6314-012		2	CONNECTOR, 12P, FEMALE		
J403	VS1-7079-024		1	CONNECTOR, 24P, FEMALE, BK		
J403	VS1-7080-024		1	CONNECTOR, 24P, FEMALE, BK		
J403	VT2-5161-024		2	CONNECTOR, 24P, FEMALE		
J403	WS3-5880-000		2	PIN CONTACT, 20-24AWG		
J403	WS3-5881-000		2	SOCKET CONTACT, 20-24AWG		
J404	VS1-6313-020		2	CONNECTOR, 20P, FEMALE		
J404	VS1-6314-020		2	CONNECTOR, 20P, FEMALE		
J404	VS1-7079-040		1	CONNECTOR, 40P, FEMALE, BK		
J404	VS1-7080-040		1	CONNECTOR, 40P, FEMALE, BK		
J404	VT2-5161-040		2	HOLDER, CONNECTOR, 40P		
J404	WS3-5879-000		2	SOCKET CONTACT, 14-18AWG		
J404	WS3-5880-000		2	PIN CONTACT, 20-24AWG		
J404	WS3-5881-000		2	SOCKET CONTACT, 20-24AWG		
J404	WS3-5882-000		2	PIN CONTACT, 14-18AWG		
J405	VS1-6314-015		2	CONNECTOR, 15P, FEMALE		
J405	VS1-7173-015		1	CONNECTOR, SNAP TIGHT, W		
J406	VS1-6982-002		1	CONNECTOR, 2P, MALE, W		
J406	VS1-7110-002		1	CONNECTOR, 2P, FEMALE, W		
J406	WS3-5815-000		2	CONTACT, PIN, 20-22AWG		
J406	WS3-5858-000		2	CONTACT, SOCKET, 20-22AWG		
J407	VS1-5824-006		2	CONNECTOR, 6P, FEMALE		
J407	VS1-7177-006		1	CONNECTOR, SNAP TIGHT, BK		
J407	WS3-5730-000		12	SOCKET CONTACT AWG 36-26		

FIGURE & KEY NO.	PARTS NUMBER	R A N K	Q'TY	DESCRIPTION	SERIAL NUMBER/ REMARKS	S V C
J408	PCB			POTENTIAL SENSOR		
J408	VS3-5233-006		1	CONNECTOR, 6P, FEMALE		
J408	WS3-5717-000		6	CONTACT, SOCKET, 28-32AWG		
J409	VS1-5824-004		1	CONNECTOR, 4P, FEMALE		
J409	VS1-6321-004		1	CONNECTOR, 4P, FEMALE		
J409	VS1-7177-004		1	CONNECTOR, SNAP TIGHT, BK		
J409	WS3-5358-000		4	SOCKET CONTACT, 22-26AWG		
J410	VS1-6321-003		2	CONNECTOR, 3P, FEMALE		
J410	VS1-7177-003		1	CONNECTOR, SNAP TIGHT, BK		
J411	NPN			FIN DELIVERY COOLING FAN	FM10	
J411	VS1-6321-003		1	CONNECTOR, 3P, FEMALE		
J411	VS1-7177-003		1	CONNECTOR, SNAP TIGHT, BK		
J412	NPN			FIXING EXHAUST FAN	FM5	
J412	VS1-6321-003		1	CONNECTOR, 3P, FEMALE		
J413	VS1-6321-003		2	CONNECTOR, 3P, FEMALE		
J413	VS1-7177-003		1	CONNECTOR, SNAP TIGHT, BK		
J414	NPN			RIGHT DECK YES/NO SENSOR	PS39	
J414	VS1-6321-003		1	CONNECTOR, 3P, FEMALE		
J415	NPN			LEFT DECK YES/NO SENSOR	PS46	
J415	VS1-6321-003		1	CONNECTOR, 3P, FEMALE		
J416	NPN			VERTICAL PATH 2 SENSOR	PS61	
J416	VS1-6321-003		1	CONNECTOR, 3P, FEMALE		
J417	NPN			R. L. DOOR OPEN/CLOSE SENSOR	PS64	
J417	VS1-6321-003		1	CONNECTOR, 3P, FEMALE		
J418	VS1-6321-003		2	CONNECTOR, 3P, FEMALE		
J418	VS1-7177-003		1	CONNECTOR, SNAP TIGHT, BK		
J419	NPN			CROSSING SENSOR	PS32	
J419	VS1-6321-003		1	CONNECTOR, 3P, FEMALE		
J420	NPN			PRIMARY CORONA AIR INTAKE FAN	FM1	
J420	VS1-6321-003		1	CONNECTOR, 3P, FEMALE		
J420	VS1-7177-003		1	CONNECTOR, SNAP TIGHT, BK		
J421	NPN			FEEDER DOOR OPEN/CLOSE SENSOR	PS5	

FIGURE & KEY NO.	PARTS NUMBER	RANK	Q'TY	DESCRIPTION	SERIAL NUMBER/REMARKS	SVC
J421	VS1-6321-003		1	CONNECTOR, 3P, FEMALE		
J422	VS1-6321-004		2	CONNECTOR, 4P, FEMALE		
J422	VS1-7177-004		1	CONNECTOR, SNAP TIGHT, BK		
J423	VS1-6321-004		2	CONNECTOR, 4P, FEMALE		
J423	VS1-7177-004		1	CONNECTOR, SNAP TIGHT, BK		
J424	VS1-6321-002		2	CONNECTOR, 2P, FEMALE		
J424	VS1-7177-002		1	CONNECTOR, SNAP TIGHT, BK		
J425	NPN			WASTE TONER LOCK SWITCH 1	SW14	
J425	VS1-6321-002		1	CONNECTOR, 2P, FEMALE		
J425	VS1-7177-002		1	CONNECTOR, SNAP TIGHT, BK		
J426	PCB			POTENTIAL SENSOR		
J426	VS1-6321-004		1	CONNECTOR, 4P, FEMALE		
J427	PCB			POTENTIAL SENSOR		
J427	VS1-6757-006		1	CONNECTOR, 6P, FEMALE		
J427	WS3-5721-000		6	SOCKET CONTACT		
J428	NPN			FEEDER/PRE-REGISTRATION MOTOR	M7	
J428	VS1-6702-006		1	CONNECTOR, 6P, W		
J428	WS3-5720-000		6	SOCKET CONTACT, 22-28AWG		
J429	NPN			ROTATION DEVELOPING MOTOR	M5	
J429	VS1-6982-006		1	CONNECTOR, 6P, MALE, W		
J429	WS3-5744-000		6	CONTACT, PIN, 16-18AWG		
J430	NPN			EXTERNAL PAPER DELIVERY MOTOR	M9	
J430	VS1-6702-006		1	CONNECTOR, 6P, W		
J430	WS3-5720-000		6	SOCKET CONTACT, 22-28AWG		
J431	VS1-6313-008		1	CONNECTOR, 8P, FEMALE		
J431	VS1-6314-008		1	CONNECTOR, 8P, FEMALE		
J431	VS1-7173-008		1	CONNECTOR, SNAP TIGHT, 8P, W		
J432	VS1-6313-013		2	CONNECTOR, 13P, FEMALE		
J432	VS1-6314-013		2	CONNECTOR, 13P, FEMALE		
J432	VS1-7164-026		1	CONNECTOR, SNAP TIGHT, 26P, W		
J432	VT2-5161-026		2	HOLDER, CONNECTOR, 26P		
J433	VS1-6321-006		2	CONNECTOR, 6P, FEMALE		

FIGURE & KEY NO.	PARTS NUMBER	RANK	Q'TY	DESCRIPTION	SERIAL NUMBER/REMARKS	SVC
J433	VS1-7177-006		1	CONNECTOR, SNAP TIGHT, BK		
J434	VS1-6313-010		2	CONNECTOR, 10P, FEMALE		
J434	VS1-6314-009		2	CONNECTOR, 9P, FEMALE		
J435	PCB			DEVELOPING MOTOR		
J435	VS1-7110-002		1	CONNECTOR, 2P, FEMALE, W		
J435	WS3-5858-000		2	CONTACT, SOCKET, 20-22AWG		
J436	PCB			DRUM MOTOR		
J436	VS1-7110-002		1	CONNECTOR, 2P, FEMALE, W		
J436	WS3-5858-000		2	CONTACT, SOCKET, 20-22AWG		
J437	NPN			SCANNER		
J437	VS1-6314-008		1	CONNECTOR, 8P, FEMALE		
J437	VS1-7173-008		1	CONNECTOR, SNAP TIGHT, 8P, W		
J438	VS1-6314-006		2	CONNECTOR, 6P, FEMALE		
J438	VS1-7173-006		1	CONNECTOR, SNAP TIGHT, 6P, W		
J439	VS1-6321-003		2	CONNECTOR, 3P, FEMALE		
J439	VS1-7177-003		1	CONNECTOR, SNAP TIGHT, BK		
J441	NPN			FEEDER DOOR OPEN/CLOSE SWITCH	SW11	
J441	VS1-6302-002		1	CONNECTOR, 2P, MALE		
J441	WS3-5569-000		2	PIN, CONTACT		
J442	VS1-6982-004		1	CONNECTOR, 4P, MALE, W		
J442	VS1-7110-004		1	CONNECTOR, 4P, FEMALE, W		
J442	WS3-5815-000		4	CONTACT, PIN, 20-22AWG		
J442	WS3-5858-000		4	CONTACT, SOCKET, 20-22AWG		
J444	NPN			EXTERNAL PAPER DELIVERY SENSOR	PS13	
J444	VS1-6321-003		1	CONNECTOR, 3P, FEMALE		
J445	VS1-6321-003		2	CONNECTOR, 3P, FEMALE		
J445	VS1-7177-003		1	CONNECTOR, SNAP TIGHT, BK		
J446	VS1-5824-003		2	CONNECTOR, 3P, FEMALE		
J446	VS1-7177-003		1	CONNECTOR, SNAP TIGHT, BK		
J446	WS3-5358-000		2	SOCKET CONTACT, 22-26AWG		
J446	WS3-5682-000		2	SOCKET CONTACT, 22-26AWG		
J447	VS1-6302-002		1	CONNECTOR, 2P, MALE		

FIGURE & KEY NO.	PARTS NUMBER	R A N K	Q'TY	DESCRIPTION	SERIAL NUMBER/ REMARKS	S V C
J447	VS1-6702-002		1	CONNECTOR, 2P		
J447	WS3-5569-000		2	PIN, CONTACT		
J447	WS3-5720-000		2	SOCKET CONTACT, 22-28AWG		
J448	NPN			FRONT DOOR SWITCH	SW12	
J448	VS1-6702-002		1	CONNECTOR, 2P		
J448	WS3-5720-000		2	SOCKET CONTACT, 22-28AWG		
J449	NPN			FRONT DOOR SWITCH	SW12	
J449	VS1-6321-002		1	CONNECTOR, 2P, FEMALE		
J449	VS1-7177-002		1	CONNECTOR, SNAP TIGHT, BK		
J451	VS1-6982-002		1	CONNECTOR, 2P, MALE, W		
J451	VS1-7110-002		1	CONNECTOR, 2P, FEMALE, W		
J451	WS3-5815-000		2	CONTACT, PIN, 20-22AWG		
J451	WS3-5858-000		2	CONTACT, SOCKET, 20-22AWG		
J452	VS1-6982-002		1	CONNECTOR, 2P, MALE, W		
J452	VS1-7110-002		1	CONNECTOR, 2P, FEMALE, W		
J452	WS3-5815-000		2	CONTACT, PIN, 20-22AWG		
J452	WS3-5858-000		2	CONTACT, SOCKET, 20-22AWG		
J453	SYS			TO SHIFT TRAY	ACCESSORY	
J453	VS1-6314-010		1	CONNECTOR, 10P, FEMALE		
J453	VS1-7173-010		1	CONNECTOR, SNAP TIGHT, 10P, W		
J454	SYS			TO SHIFT TRAY	ACCESSORY	
J454	VS1-6535-004		1	CONNECTOR, 4P, MALE		
J454	WS3-5659-000		4	PIN CONTACT		
J455	SYS			TO FINISHER	ACCESSORY	
J455	VS3-5080-008		1	CONNECTOR, 8P, MALE		
J455	WT1-5155-000		7	TERMINAL		
J456	SYS			TO PAPER DECK	ACCESSORY	
J456	VS1-7208-008		1	CONNECTOR, 8P, FEMALE		
J457	SYS			TO PAPER DECK	ACCESSORY	
J457	WS3-5817-000		3	CONTACT, SOCKET, 16-20AWG		
J457	WS3-5892-000		1	CONNECTOR, 4P, FEMALE, GRY		
J458	NPN			FIXING KNOB SWITCH	SW15	

FIGURE & KEY NO.	PARTS NUMBER	R A N K	Q'TY	DESCRIPTION	SERIAL NUMBER/ REMARKS	S V C
J458	VS1-6302-002		1	CONNECTOR, 2P, MALE	ACCESSORY	
J458	WS3-5569-000		2	PIN, CONTACT		
J459	SYS			TO FINISHER		
J459	VS1-5452-007		1	CONNECTOR, 7P, FEMALE	ACCESSORY	
J460	VS1-7178-008		1	CONNECTOR, 8P, FEMALE		
J460	VS1-6321-008		1	CONNECTOR, 8P, FEMALE	ACCESSORY	
J460	VS1-7177-008		1	CONNECTOR, SNAP TIGHT, BK		
J461	VS1-7178-006		1	CONNECTOR, 6P, FEMALE	ACCESSORY	
J461	VS1-6321-006		1	CONNECTOR, 6P, FEMALE		
J461	VS1-7177-006		1	CONNECTOR, SNAP TIGHT, BK		
J462	SYS			TO PAPER DECK		
J462	VS1-7208-006		1	CONNECTOR, 6P, FEMALE	ACCESSORY	
J470	PCB			ENVIRONMENT SENSOR		
J470	VS3-5094-004		1	CONNECTOR 4P	ACCESSORY	
J470	WT1-5208-000		4	CONTACT, SOCKET		
J501	VS1-6321-006		2	CONNECTOR, 6P, FEMALE	ACCESSORY	
J501	VS1-7177-006		1	CONNECTOR, SNAP TIGHT, BK		
J502	VS1-6321-006		2	CONNECTOR, 6P, FEMALE	ACCESSORY	
J502	VS1-7177-006		1	CONNECTOR, SNAP TIGHT, BK		
J503	VS1-6313-009		2	CONNECTOR, 9P, FEMALE	ACCESSORY	
J503	VS1-6314-009		2	CONNECTOR, 9P, FEMALE		
J503	VS1-7164-018		1	CONNECTOR, SNAP TIGHT, 18P, W	ACCESSORY	
J503	VT2-5161-018		2	HOLDER, CONNECTOR, 18P		
J504	VS1-6321-006		2	CONNECTOR, 6P, FEMALE	ACCESSORY	
J504	VS1-7177-006		1	CONNECTOR, SNAP TIGHT, BK		
J505	SYS			TO ADF		
J505	FK2-0247-000		1	CONNECTOR, FEMALE	ACCESSORY	
J505	VS1-5452-007		1	CONNECTOR, 7P, FEMALE		
J505	VS1-6084-008		1	CONNECTOR, 8P, FEMALE	ACCESSORY	
J505	VS1-6321-006		2	CONNECTOR, 6P, FEMALE		
J505	VS1-7177-006		1	CONNECTOR, SNAP TIGHT, BK		
J505	WS3-5596-000		3	PIN CONTACT, 18-24AWG		

FIGURE & KEY NO.	PARTS NUMBER	R A N K	Q'TY	DESCRIPTION	SERIAL NUMBER/ REMARKS	S V C
J506	VS1-7178-006		1	CONNECTOR, 6P, FEMALE		
J506	VS1-6321-006		1	CONNECTOR, 6P, FEMALE		
J506	VS1-7177-006		1	CONNECTOR, SNAP TIGHT, BK		
J507	PCB			L. CASSETTE PAPER SIZE SENSING		
J507	VS1-6321-006		1	CONNECTOR, 6P, FEMALE		
J507	VS1-7177-006		1	CONNECTOR, SNAP TIGHT, BK		
J508	NPN			CAS. 3 REMNANT DETECT SENSOR 1	PS52	
J508	VS1-6321-003		1	CONNECTOR, 3P, FEMALE		
J509	NPN			CAS. 3 REMNANT DETECT SENSOR 2	PS53	
J509	VS1-6321-003		1	CONNECTOR, 3P, FEMALE		
J510	NPN			CAS. 4 REMNANT DETECT SENSOR 1	PS58	
J510	VS1-6321-003		1	CONNECTOR, 3P, FEMALE		
J511	NPN			CAS. 4 REMNANT DETECT SENSOR 2	PS59	
J511	VS1-6321-003		1	CONNECTOR, 3P, FEMALE		
J512	NPN			R.DECK REMNANT DETECT SENSOR 2	PS38	
J512	VS1-6321-003		1	CONNECTOR, 3P, FEMALE		
J513	NPN			R.DECK REMNANT DETECT SENSOR 1	PS37	
J513	VS1-6321-003		1	CONNECTOR, 3P, FEMALE		
J514	NPN			L.DECK REMNANT DETECT SENSOR 2	PS45	
J514	VS1-6321-003		1	CONNECTOR, 3P, FEMALE		
J515	NPN			L.DECK REMNANT DETECT SENSOR 1	PS44	
J515	VS1-6321-003		1	CONNECTOR, 3P, FEMALE		
J516	VS1-6313-009		2	CONNECTOR, 9P, FEMALE		
J516	VS1-6314-009		2	CONNECTOR, 9P, FEMALE		
J516	VS1-7164-018		1	CONNECTOR, SNAP TIGHT, 18P, W		
J516	VT2-5161-018		2	HOLDER, CONNECTOR, 18P		
J517	VS1-6313-009		2	CONNECTOR, 9P, FEMALE		
J517	VS1-6314-009		2	CONNECTOR, 9P, FEMALE		
J517	VS1-7164-018		1	CONNECTOR, SNAP TIGHT, 18P, W		
J517	VT2-5161-018		2	HOLDER, CONNECTOR, 18P		
J518	VS1-6313-009		2	CONNECTOR, 9P, FEMALE		
J518	VS1-6314-009		2	CONNECTOR, 9P, FEMALE		

FIGURE & KEY NO.	PARTS NUMBER	RANK	Q'TY	DESCRIPTION	SERIAL NUMBER/REMARKS	SVC
J518	VS1-7164-018		1	CONNECTOR, SNAP TIGHT, 18P, W		
J518	VT2-5161-018		2	HOLDER, CONNECTOR, 18P		
J519	VS1-6313-009		2	CONNECTOR, 9P, FEMALE		
J519	VS1-6314-009		2	CONNECTOR, 9P, FEMALE		
J519	VS1-7164-018		1	CONNECTOR, SNAP TIGHT, 18P, W		
J519	VT2-5161-018		2	HOLDER, CONNECTOR, 18P		
J520	NPN			R. DECK PAPER PICK-UP SOLENOID	SL6	
J520	VS1-6321-002		1	CONNECTOR, 2P, FEMALE		
J520	VS1-7177-002		1	CONNECTOR, SNAP TIGHT, BK		
J521	NPN			R. DECK PAPER PICK-UP SENSOR	PS33	
J521	VS1-6321-003		1	CONNECTOR, 3P, FEMALE		
J522	NPN			RIGHT DECK LIMIT SENSOR	PS34	
J522	VS1-6321-003		1	CONNECTOR, 3P, FEMALE		
J523	NPN			RIGHT DECK PAPER YES/NO SENSOR	PS35	
J523	VS1-6321-003		1	CONNECTOR, 3P, FEMALE		
J524	NPN			R. PAPER FACE HEIGHT SENSOR	PS36	
J524	VS1-6321-003		1	CONNECTOR, 3P, FEMALE		
J525	NPN			VERTICAL PATH 1 SENSOR	PS60	
J525	VS1-6321-003		1	CONNECTOR, 3P, FEMALE		
J526	NPN			L. DECK PAPER PICK-UP SOLENOID	SL7	
J526	VS1-6321-002		1	CONNECTOR, 2P, FEMALE		
J526	VS1-7177-002		1	CONNECTOR, SNAP TIGHT, BK		
J527	NPN			LEFT DECK PAPER PICK-UP SENSOR	PS40	
J527	VS1-6321-003		1	CONNECTOR, 3P, FEMALE		
J528	NPN			LEFT DECK LIMIT SENSOR	PS41	
J528	VS1-6321-003		1	CONNECTOR, 3P, FEMALE		
J529	NPN			LEFT DECK PAPER YES/NO SENSOR	PS42	
J529	VS1-6321-003		1	CONNECTOR, 3P, FEMALE		
J530	NPN			L. PAPER FACE HEIGHT SENSOR	PS43	
J530	VS1-6321-003		1	CONNECTOR, 3P, FEMALE		
J531	NPN			RETENTION SENSING SENSOR	PS47	
J531	VS1-6321-003		1	CONNECTOR, 3P, FEMALE		

FIGURE & KEY NO.	PARTS NUMBER	RANK	Q'TY	DESCRIPTION	SERIAL NUMBER/REMARKS	SVC
J532	NPN			4 STEPPED PICK-UP SOLENOID	SL9	
J532	VS1-6321-002		1	CONNECTOR, 2P, FEMALE		
J532	VS1-7177-002		1	CONNECTOR, SNAP TIGHT, BK		
J533	NPN			CASSETTE 4 PICK-UP SENSOR	PS54	
J533	VS1-6321-003		1	CONNECTOR, 3P, FEMALE		
J534	NPN			CASSETTE 4 LIMIT SENSOR	PS55	
J534	VS1-6321-003		1	CONNECTOR, 3P, FEMALE		
J535	NPN			CASSETTE 4 PAPER YES/NO SENSOR	PS56	
J535	VS1-6321-003		1	CONNECTOR, 3P, FEMALE		
J536	NPN			4 PAPER FACE HEIGHT SENSOR	PS57	
J536	VS1-6321-003		1	CONNECTOR, 3P, FEMALE		
J537	NPN			VERTICAL PATH 4 SENSOR	PS63	
J537	VS1-6321-003		1	CONNECTOR, 3P, FEMALE		
J538	NPN			3 STEPPED PICK-UP SOLENOID	SL8	
J538	VS1-6321-002		1	CONNECTOR, 2P, FEMALE		
J538	VS1-7177-002		1	CONNECTOR, SNAP TIGHT, BK		
J539	NPN			CASSETTE 3 PICK-UP SENSOR	PS48	
J539	VS1-6321-003		1	CONNECTOR, 3P, FEMALE		
J540	NPN			CASSETTE 3 LIMIT SENSOR	PS49	
J540	VS1-6321-003		1	CONNECTOR, 3P, FEMALE		
J541	NPN			CASSETTE 3 PAPER YES/NO SENSOR	PS50	
J541	VS1-6321-003		1	CONNECTOR, 3P, FEMALE		
J542	NPN			3 PAPER FACE HEIGHT SENSOR	PS51	
J542	VS1-6321-003		1	CONNECTOR, 3P, FEMALE		
J543	NPN			VERTICAL PATH 3 SENSOR	PS62	
J543	VS1-6321-003		1	CONNECTOR, 3P, FEMALE		
J544	NPN			RIGHT DECK LIFTER MOTOR	M30	
J544	VS1-6321-002		1	CONNECTOR, 2P, FEMALE		
J545	NPN			LEFT DECK LIFTER MOTOR	M31	
J545	VS1-6321-002		1	CONNECTOR, 2P, FEMALE		
J546	NPN			CASSETTE UPPER LIFTER MOTOR	M32	
J546	VS1-6321-002		1	CONNECTOR, 2P, FEMALE		

FIGURE & KEY NO.	PARTS NUMBER	R A N K	Q'TY	DESCRIPTION	SERIAL NUMBER/ REMARKS	S V C
J547	NPN			CASSETTE LOWER LIFTER MOTOR	M33	
J547	VS1-6321-002		1	CONNECTOR, 2P, FEMALE		
J549	NPN			RIGHT DECK EXTRACTION MOTOR	M14	
J549	VS1-6702-006		1	CONNECTOR, 6P, W		
J549	WS3-5720-000		6	SOCKET CONTACT, 22-28AWG		
J550	NPN			RIGHT DECK PAPER PICK-UP MOTOR	M17	
J550	VS1-6702-006		1	CONNECTOR, 6P, W		
J550	WS3-5720-000		6	SOCKET CONTACT, 22-28AWG		
J551	NPN			LEFT DECK PAPER PICK-UP MOTOR	M18	
J551	VS1-6702-006		1	CONNECTOR, 6P, W		
J551	WS3-5720-000		6	SOCKET CONTACT, 22-28AWG		
J552	NPN			VERTICAL PATH LOWER MOTOR	M16	
J552	VS1-6702-006		1	CONNECTOR, 6P, W		
J552	WS3-5720-000		6	SOCKET CONTACT, 22-28AWG		
J553	NPN			CASSETTE PAPER PICK-UP MOTOR	M19	
J553	VS1-6702-006		1	CONNECTOR, 6P, W		
J553	WS3-5720-000		6	SOCKET CONTACT, 22-28AWG		
J554	PCB			U. CASSETTE PAPER SIZE SENSING		
J554	VS1-0978-006		1	CONNECTOR, 6P, FEMALE		
J555	VS1-6314-009		2	CONNECTOR, 9P, FEMALE		
J555	VS1-7173-009		1	CONNECTOR, SNAP TIGHT, 9P, W		
J556	VS1-6321-003		2	CONNECTOR, 3P, FEMALE		
J556	VS1-7177-003		1	CONNECTOR, SNAP TIGHT, BK		
J601	PCB			XENON LAMP INVERTER		
J601	FK2-0234-000		1	CABLE, FLAT		
J602	PCB			XENON LAMP INVERTER		
J602	NPN			XENON LAMP	LA1	
J701	NPN			PRE-REGISTRATION SENSOR	PS9	
J701	VS1-6321-003		1	CONNECTOR, 3P, FEMALE		
J702	NPN			OHP SENSOR, FRONT	PS3	
J702	VS1-6321-003		1	CONNECTOR, 3P, FEMALE		
J703	NPN			OHP SENSOR, REAR	PS29	

FIGURE & KEY NO.	PARTS NUMBER	RANK	Q'TY	DESCRIPTION	SERIAL NUMBER/REMARKS	SVC
J703	VS1-6321-003		1	CONNECTOR, 3P, FEMALE		
J704	NPN			TRANSFER REAR SENSOR	PS10	
J704	VS1-6321-003		1	CONNECTOR, 3P, FEMALE		
J705	NPN			SECONDARY TRANSFER H.P. SENSOR	PS22	
J705	VS1-6321-003		1	CONNECTOR, 3P, FEMALE		
J706	NPN			SEC. TRANSFER ROLLER MOTOR	M20	
J706	VS1-6321-006		1	CONNECTOR, 6P, FEMALE		
J706	VS1-7177-006		1	CONNECTOR, SNAP TIGHT, BK		
J707	NPN			PAPER FEEDER FAN, 1	FM3	
J707	VS1-6321-003		1	CONNECTOR, 3P, FEMALE		
J707	VS1-7177-003		1	CONNECTOR, SNAP TIGHT, BK		
J708	NPN			PAPER FEEDER FAN, 2	FM4	
J708	VS1-6321-003		1	CONNECTOR, 3P, FEMALE		
J708	VS1-7177-003		1	CONNECTOR, SNAP TIGHT, BK		
J709	VS1-6314-006		2	CONNECTOR, 6P, FEMALE		
J709	VS1-7173-006		1	CONNECTOR, SNAP TIGHT, 6P, W		
J710	VS1-6314-007		2	CONNECTOR, 7P, FEMALE		
J710	VS1-7173-007		1	CONNECTOR, SNAP TIGHT, 7P		
J711	VS1-6314-013		2	CONNECTOR, 13P, FEMALE		
J711	VS1-7173-013		1	CONNECTOR, SNAP TIGHT, 13P, W		
J713	NPN			DUPLEXING LEFT SENSOR	PS17	
J713	VS1-6321-003		1	CONNECTOR, 3P, FEMALE		
J714	NPN			SIDE REGISTRATION SENSOR	PS24	
J714	VS1-0279-003		1	CONNECTOR, 3P, FEMALE		
J714	WS3-0469-000		3	SOCKET CONTACT, 26-30AWG		
J715	NPN			REVERSE VERTICAL PATH SENSOR	PS15	
J715	VS1-6321-003		1	CONNECTOR, 3P, FEMALE		
J717	NPN			REVERSE SENSOR	PS14	
J717	VS1-6321-003		1	CONNECTOR, 3P, FEMALE		
J718	NPN			INTERNAL PAPER DELIVERY SENSOR	PS12	
J718	VS1-6321-003		1	CONNECTOR, 3P, FEMALE		
J719	VS1-6321-003		2	CONNECTOR, 3P, FEMALE		

FIGURE & KEY NO.	PARTS NUMBER	RANK	Q'TY	DESCRIPTION	SERIAL NUMBER/REMARKS	SVC
J719	VS1-7177-003		1	CONNECTOR, SNAP TIGHT, BK		
J720	NPN			PAPER DELIVERY COOLING FAN	FM6	
J720	VS1-6321-003		1	CONNECTOR, 3P, FEMALE		
J720	VS1-7177-003		1	CONNECTOR, SNAP TIGHT, BK		
J721	NPN			DUPLEXING RIGHT SENSOR	PS18	
J721	VS1-6321-003		1	CONNECTOR, 3P, FEMALE		
J722	NPN			LEFT DECK CROSSING SOLENOID	SL4	
J722	VS1-6321-002		1	CONNECTOR, 2P, FEMALE		
J722	VS1-7177-002		1	CONNECTOR, SNAP TIGHT, BK		
J723	NPN			DELIVERY FLAPPER SOLENOID	SL5	
J723	VS1-6321-002		1	CONNECTOR, 2P, FEMALE		
J723	VS1-7177-002		1	CONNECTOR, SNAP TIGHT, BK		
J724	NPN			REV. ESTRANGEMENT SOLENOID	SL3	
J724	VS1-6321-002		1	CONNECTOR, 2P, FEMALE		
J724	VS1-7177-002		1	CONNECTOR, SNAP TIGHT, BK		
J725	NPN			DUPLEXING MIDDLE MOTOR	M12	
J725	VS1-6702-006		1	CONNECTOR, 6P, W		
J725	WS3-5720-000		6	SOCKET CONTACT, 22-28AWG		
J726	NPN			DUPLEXING LEFT MOTOR	M11	
J726	VS1-5824-006		1	CONNECTOR, 6P, FEMALE		
J726	VS1-7177-006		1	CONNECTOR, SNAP TIGHT, BK		
J726	WS3-5682-000		6	SOCKET CONTACT, 22-26AWG		
J727	NPN			DUPLEXING REVERSE MOTOR	M10	
J727	VS1-6702-006		1	CONNECTOR, 6P, W		
J727	WS3-5720-000		6	SOCKET CONTACT, 22-28AWG		
J728	NPN			REGISTRATION DRIVE MOTOR	M13	
J728	VS1-6702-006		1	CONNECTOR, 6P, W		
J728	WS3-5720-000		6	SOCKET CONTACT, 22-28AWG		
J729	NPN			DUPLEXING RIGHT MOTOR	M8	
J729	VS1-6702-006		1	CONNECTOR, 6P, W		
J729	WS3-5720-000		6	SOCKET CONTACT, 22-28AWG		
J730	NPN			OHP SENSOR RADIANT, FRONT	PS3	

FIGURE & KEY NO.	PARTS NUMBER	RANK	Q'TY	DESCRIPTION	SERIAL NUMBER/REMARKS	SVC
J730	VS1-6321-002		1	CONNECTOR, 2P, FEMALE		
J731	NPN			OHP SENSOR RADIANT, REAR	PS29	
J731	VS1-6321-002		1	CONNECTOR, 2P, FEMALE		
J732	VS1-6982-004		1	CONNECTOR, 4P, MALE, W		
J732	VS1-7110-004		1	CONNECTOR, 4P, FEMALE, W		
J732	WS3-5744-000		2	CONTACT, PIN, 16-18AWG		
J732	WS3-5815-000		2	CONTACT, PIN, 20-22AWG		
J732	WS3-5858-000		2	CONTACT, SOCKET, 20-22AWG		
J732	WS3-5859-000		2	CONTACT, SOCKET, 16-18AWG		
J733	VS1-6314-009		2	CONNECTOR, 9P, FEMALE		
J733	VS1-7173-009		1	CONNECTOR, SNAP TIGHT, 9P, W		
J735	NPN			POLYGON MOTOR	M28	
J735	VS1-6321-006		1	CONNECTOR, 6P, FEMALE		
J735	VS1-7177-006		1	CONNECTOR, SNAP TIGHT, BK		
J740	VS1-5824-003		1	CONNECTOR, 3P, FEMALE		
J740	VS1-6321-003		1	CONNECTOR, 3P, FEMALE		
J740	VS1-7177-003		1	CONNECTOR, SNAP TIGHT, BK		
J740	WS3-5358-000		3	SOCKET CONTACT, 22-26AWG		
J741	VS1-6321-003		2	CONNECTOR, 3P, FEMALE		
J741	VS1-7177-003		1	CONNECTOR, SNAP TIGHT, BK		
J742	VS1-6321-003		2	CONNECTOR, 3P, FEMALE		
J742	VS1-7177-003		1	CONNECTOR, SNAP TIGHT, BK		
J750	VS1-6313-010		2	CONNECTOR, 10P, FEMALE		
J750	VS1-6314-010		2	CONNECTOR, 10P, FEMALE		
J750	VS1-7164-020		1	CONNECTOR, SNAP TIGHT, 20P, W		
J750	VT2-5161-020		2	HOLDER, CONNECTOR, 20P		
J751	NPN			EXTERNAL HEATING H.P. SENSOR	PS21	
J751	VS1-6321-003		1	CONNECTOR, 3P, FEMALE		
J752	NPN			CLEANING REMNANT DETECT SENSOR	PS20	
J752	VS1-6321-003		1	CONNECTOR, 3P, FEMALE		
J753	NPN			FIXING MAIN THERMISTOR	THM1	
J753	NPN			FIXING SUB THERMISTOR	THM4	

FIGURE & KEY NO.	PARTS NUMBER	RANK	Q'TY	DESCRIPTION	SERIAL NUMBER/REMARKS	SVC
J753	VS1-6321-004		1	CONNECTOR, 4P, FEMALE		
J753	VS1-7177-004		1	CONNECTOR, SNAP TIGHT, BK		
J754	NPN			PRESSURE MAIN THERMISTOR	THM2	
J754	NPN			PRESSURE SUB THERMISTOR	THM5	
J754	VS1-6321-004		1	CONNECTOR, 4P, FEMALE		
J754	VS1-7177-004		1	CONNECTOR, SNAP TIGHT, BK		
J755	VS1-5824-005		1	CONNECTOR, 5P, FEMALE		
J755	VS1-6321-005		1	CONNECTOR, 5P, FEMALE		
J755	VS1-7177-005		1	CONNECTOR, SNAP TIGHT, BK		
J755	WS3-5730-000		4	SOCKET CONTACT AWG 36-26		
J756	NPN			CLEANING SOLENOID	SL2	
J756	VS1-6321-002		1	CONNECTOR, 2P, FEMALE		
J756	VS1-7177-002		1	CONNECTOR, SNAP TIGHT, BK		
J757	VS1-6321-003		2	CONNECTOR, 3P, FEMALE		
J757	VS1-7177-003		1	CONNECTOR, SNAP TIGHT, BK		
J758	NPN			HEATING ESTRANGEMENT MOTOR	M22	
J758	VS1-6321-004		1	CONNECTOR, 4P, FEMALE		
J758	VS1-7177-004		1	CONNECTOR, SNAP TIGHT, BK		
J759	NPN			FIXING MOTOR	M4	
J759	VS1-6321-008		1	CONNECTOR, 8P, FEMALE		
J760	VS1-6982-002		1	CONNECTOR, 2P, MALE, W		
J760	VS1-7110-002		1	CONNECTOR, 2P, FEMALE, W		
J760	VS1-7177-003		1	CONNECTOR, SNAP TIGHT, BK		
J760	WS3-5815-000		2	CONTACT, PIN, 20-22AWG		
J760	WS3-5858-000		2	CONTACT, SOCKET, 20-22AWG		
J761	NPN			FIXING MOTOR	M4	
J761	VS1-7110-002		1	CONNECTOR, 2P, FEMALE, W		
J761	WS3-5858-000		2	CONTACT, SOCKET, 20-22AWG		
J762	VS1-6982-002		1	CONNECTOR, 2P, MALE, W		
J762	VS1-7110-002		1	CONNECTOR, 2P, FEMALE, W		
J762	WS3-5815-000		2	CONTACT, PIN, 20-22AWG		
J762	WS3-5858-000		2	CONTACT, SOCKET, 20-22AWG		

FIGURE & KEY NO.	PARTS NUMBER	R A N K	Q'TY	DESCRIPTION	SERIAL NUMBER/ REMARKS	S V C
J763	NPN			FIXING ENTRANCE SENSOR	PS66	
J763	VS1-6321-003		1	CONNECTOR, 3P, FEMALE		
J765	NPN			OUTER MAIN THERMISTOR	THM3	
J765	NPN			OUTER SUB THERMISTOR	THM6	
J765	VS1-5824-004		1	CONNECTOR, 4P, FEMALE		
J765	VS1-7177-004		1	CONNECTOR, SNAP TIGHT, BK		
J765	WS3-5730-000		4	SOCKET CONTACT AWG 36-26		
J766	VS1-6314-008		2	CONNECTOR, 8P, FEMALE		
J766	VS1-7177-008		1	CONNECTOR, SNAP TIGHT, BK		
J767	NPN			PAPER FEEDER FAN, 4	FM12	
J767	VS1-6321-003		1	CONNECTOR, 3P, FEMALE		
J767	VS1-7177-003		1	CONNECTOR, SNAP TIGHT, BK		
J768	NPN			PAPER FEEDER FAN, 3	FM11	
J768	VS1-6321-003		1	CONNECTOR, 3P, FEMALE		
J768	VS1-7177-003		1	CONNECTOR, SNAP TIGHT, BK		
J1101	PCB			DC CONTROLLER		
J1101	VS1-7110-010		1	CONNECTOR, 10P, FEMALE, W		
J1101	WS3-5858-000		8	CONTACT, SOCKET, 20-22AWG		
J1101	WS3-5859-000		2	CONTACT, SOCKET, 16-18AWG		
J1102	PCB			DC CONTROLLER		
J1102	VS1-6314-009		1	CONNECTOR, 9P, FEMALE		
J1102	PCB			READER CONTROLLER		
J1102	PCB			MAIN BOARD		
J1104	PCB			DC CONTROLLER		
J1104	VS1-6314-008		1	CONNECTOR, 8P, FEMALE		
J1105	PCB			DC CONTROLLER		
J1105	VS1-6313-010		1	CONNECTOR, 10P, FEMALE		
J1105	VS1-6314-010		1	CONNECTOR, 10P, FEMALE		
J1105	VT2-5161-020		1	HOLDER, CONNECTOR, 20P		
J1106	PCB			DC CONTROLLER		
J1106	VS1-6313-016		1	CONNECTOR, 16P, FEMALE		
J1106	VS1-6314-016		1	CONNECTOR, 16P, FEMALE		

FIGURE & KEY NO.	PARTS NUMBER	RANK	Q'TY	DESCRIPTION	SERIAL NUMBER/REMARKS	SVC
J1106	VT2-5161-032		1	HOLDER, CONNECTOR, 32P		
J1107	PCB			DC CONTROLLER		
J1107	VS1-6314-015		1	CONNECTOR, 15P, FEMALE		
J1108	PCB			DC CONTROLLER		
J1108	VS1-6313-012		1	CONNECTOR, 12P, FEMALE		
J1108	VS1-6314-012		1	CONNECTOR, 12P, FEMALE		
J1108	VT2-5161-024		1	CONNECTOR, 24P, FEMALE		
J1109	PCB			DC CONTROLLER		
J1109	VS1-6313-015		1	CONNECTOR, 15P, FEMALE		
J1109	VS1-6314-015		1	CONNECTOR, 15P, FEMALE		
J1109	VT2-5161-030		1	HOLDER, CONNECTOR, 30P		
J1110	PCB			DC CONTROLLER		
J1110	VS1-6314-016		1	CONNECTOR, 16P, FEMALE		
J1111	PCB			DC CONTROLLER		
J1111	VS1-6313-012		1	CONNECTOR, 12P, FEMALE		
J1111	VS1-6314-012		1	CONNECTOR, 12P, FEMALE		
J1111	VT2-5161-024		1	CONNECTOR, 24P, FEMALE		
J1112	PCB			DC CONTROLLER		
J1112	VS1-6313-009		1	CONNECTOR, 9P, FEMALE		
J1112	VS1-6314-009		1	CONNECTOR, 9P, FEMALE		
J1112	VT2-5161-018		1	HOLDER, CONNECTOR, 18P		
J1113	PCB			DC CONTROLLER		
J1113	VS1-6313-018		1	CONNECTOR, 18P, FEMALE		
J1113	VS1-6314-018		1	CONNECTOR, 18P, MALE		
J1113	VT2-5161-036		1	HOLDER, CONNECTOR, 36P		
J1114	PCB			DC CONTROLLER		
J1114	VS1-6313-019		1	CONNECTOR, 19P, FEMALE		
J1114	VS1-6314-019		1	CONNECTOR, 19P, MALE		
J1114	VT2-5161-038		1	HOLDER, CONNECTOR, 38P		
J1115	PCB			DC CONTROLLER		
J1115	VS1-6313-016		1	CONNECTOR, 16P, FEMALE		
J1115	VS1-6314-016		1	CONNECTOR, 16P, FEMALE		

FIGURE & KEY NO.	PARTS NUMBER	RANK	Q'TY	DESCRIPTION	SERIAL NUMBER/REMARKS	SVC
J1115	VT2-5161-032		1	HOLDER, CONNECTOR, 32P		
J1116	PCB			DC CONTROLLER		
J1116	VS1-6313-010		1	CONNECTOR, 10P, FEMALE		
J1116	VS1-6314-010		1	CONNECTOR, 10P, FEMALE		
J1116	VT2-5161-020		1	HOLDER, CONNECTOR, 20P		
J1117	PCB			DC CONTROLLER		
J1117	VS1-6313-013		1	CONNECTOR, 13P, FEMALE		
J1117	VS1-6314-013		1	CONNECTOR, 13P, FEMALE		
J1117	VT2-5161-026		1	HOLDER, CONNECTOR, 26P		
J1118	PCB			DC CONTROLLER		
J1118	VS1-6313-013		1	CONNECTOR, 13P, FEMALE		
J1118	VS1-6314-013		1	CONNECTOR, 13P, FEMALE		
J1118	VT2-5161-026		1	HOLDER, CONNECTOR, 26P		
J1119	PCB			DC CONTROLLER		
J1119	VS1-6313-020		1	CONNECTOR, 20P, FEMALE		
J1119	VS1-6314-020		1	CONNECTOR, 20P, FEMALE		
J1119	VT2-5161-040		1	HOLDER, CONNECTOR, 40P		
J1120	PCB			DC CONTROLLER		
J1120	VS1-6313-010		1	CONNECTOR, 10P, FEMALE		
J1120	VS1-6314-010		1	CONNECTOR, 10P, FEMALE		
J1120	VT2-5161-020		1	HOLDER, CONNECTOR, 20P		
J1121	PCB			DC CONTROLLER		
J1121	VS1-6314-014		1	CONNECTOR, 14P, MALE		
J1122	PCB			DC CONTROLLER		
J1122	VS1-6302-012		1	CONNECTOR, 12P, MALE		
J1122	WS3-5569-000		12	PIN, CONTACT		
J1124	PCB			DC CONTROLLER		
J1124	VS1-6313-010		1	CONNECTOR, 10P, FEMALE		
J1124	VS1-6314-010		1	CONNECTOR, 10P, FEMALE		
J1124	VT2-5161-020		1	HOLDER, CONNECTOR, 20P		
J1125	PCB			DC CONTROLLER		
J1125	VS1-5452-007		1	CONNECTOR, 7P, FEMALE		

FIGURE & KEY NO.	PARTS NUMBER	R A N K	Q'TY	DESCRIPTION	SERIAL NUMBER/ REMARKS	S V C
J1127	PCB			DC CONTROLLER		
J1127	VS1-7110-006		1	CONNECTOR, 6P, FEMALE, W		
J1127	WS3-5859-000		6	CONTACT, SOCKET, 16-18AWG		
J1128	PCB			DC CONTROLLER		
J1128	VS1-6314-007		1	CONNECTOR, 7P, FEMALE		
J1129	PCB			DC CONTROLLER		
J1129	VS3-5080-005		1	CONNECTOR, 5P, FEMALE		
J1129	WT1-5155-000		5	TERMINAL		
J1130	PCB			DC CONTROLLER		
J1130	VS1-7110-002		1	CONNECTOR, 2P, FEMALE, W		
J1130	WS3-5859-000		2	CONTACT, SOCKET, 16-18AWG		
J1131	PCB			DC CONTROLLER		
J1131	VS1-6302-004		1	CONNECTOR, 4P, MALE		
J1131	WS3-5569-000		4	PIN, CONTACT		
J1132	PCB			DC CONTROLLER		
J1132	VS1-6314-008		1	CONNECTOR, 8P, FEMALE		
J1133	PCB			DC CONTROLLER		
J1133	VS1-6313-010		1	CONNECTOR, 10P, FEMALE		
J1133	VS1-6314-013		1	CONNECTOR, 13P, FEMALE		
J1133	VT2-5161-026		1	HOLDER, CONNECTOR, 26P		
J1134	PCB			DC CONTROLLER		
J1134	VS1-5824-003		1	CONNECTOR, 3P, FEMALE		
J1134	WS3-5682-000		3	SOCKET CONTACT, 22-26AWG		
J1135	PCB			DC CONTROLLER		
J1135	VS1-6321-004		1	CONNECTOR, 4P, FEMALE		
J1136	PCB			DC CONTROLLER		
J1136	VS1-6314-006		1	CONNECTOR, 6P, FEMALE		
J1201	PCB			MAIN BOARD		
J1201	VS3-5083-010		1	CONNECTOR, 10P, FEMALE		
J1201	WS3-5160-000		10	SOCKET CONTACT, 18-24AWG		
J1202	PCB			MAIN BOARD		
J1202	VS1-6302-004		1	CONNECTOR, 4P, MALE		

FIGURE & KEY NO.	PARTS NUMBER	R A N K	Q'TY	DESCRIPTION	SERIAL NUMBER/ REMARKS	S V C
J1202	VS1-6314-003		2	CONNECTOR, 3P, MALE		
J1202	VS1-7173-003		1	CONNECTOR, SNAP TIGHT, 3P, W		
J1202	WS3-5569-000		4	PIN, CONTACT		
J1203	PCB			MAIN BOARD		
J1203	VS1-6314-003		1	CONNECTOR, 3P, MALE		
J1205	PCB			MAIN BOARD		
J1205	VS1-6321-004		1	CONNECTOR, 4P, FEMALE		
J1206	PCB			MAIN BOARD		
J1206	VS1-6321-006		1	CONNECTOR, 6P, FEMALE		
J1207	PCB			MAIN BOARD		
J1207	VS1-6314-008		1	CONNECTOR, 8P, FEMALE		
J1208	PCB			MAIN BOARD		
J1208	VS1-7178-002		1	CONNECTOR, 2P, FEMALE		
J1209	PCB			MAIN BOARD		
J1209	VS1-6314-010		1	CONNECTOR, 10P, FEMALE		
J1212	PCB			MAIN BOARD		
J1212	VS1-6313-018		1	CONNECTOR, 18P, FEMALE		
J1212	VS1-6314-018		1	CONNECTOR, 18P, MALE		
J1212	VT2-5161-036		1	HOLDER, CONNECTOR, 36P		
J1213	PCB			MAIN BOARD		
J1213	VS1-6314-006		1	CONNECTOR, 6P, FEMALE		
J1301	PCB			PAPER FEEDER DRIVER		
J1301	VS1-7110-004		1	CONNECTOR, 4P, FEMALE, W		
J1301	WS3-5858-000		2	CONTACT, SOCKET, 20-22AWG		
J1301	WS3-5859-000		2	CONTACT, SOCKET, 16-18AWG		
J1302	PCB			PAPER FEEDER DRIVER		
J1302	VS1-6313-010		1	CONNECTOR, 10P, FEMALE		
J1302	VS1-6314-010		1	CONNECTOR, 10P, FEMALE		
J1302	VT2-5161-020		1	HOLDER, CONNECTOR, 20P		
J1303	PCB			PAPER FEEDER DRIVER		
J1303	VS1-6314-005		1	CONNECTOR, 5P, FEMALE		
J1305	PCB			PAPER FEEDER DRIVER		

FIGURE & KEY NO.	PARTS NUMBER	RANK	Q'TY	DESCRIPTION	SERIAL NUMBER/ REMARKS	S V C
J1305	VS1-6313-013		1	CONNECTOR, 13P, FEMALE		
J1305	VS1-6314-013		1	CONNECTOR, 13P, FEMALE		
J1305	VT2-5161-026		1	HOLDER, CONNECTOR, 26P		
J1307	PCB			PAPER FEEDER DRIVER		
J1307	VS1-6313-011		1	CONNECTOR, 11P, FEMALE		
J1307	VS1-6314-011		1	CONNECTOR, 11P, FEMALE		
J1307	VT2-5161-022		1	HOLDER, CONNECTOR, 22P		
J1308	PCB			PAPER FEEDER DRIVER		
J1308	VS1-6313-012		1	CONNECTOR, 12P, FEMALE		
J1308	VS1-6314-012		1	CONNECTOR, 12P, FEMALE		
J1308	VT2-5161-024		1	CONNECTOR, 24P, FEMALE		
J1310	PCB			PAPER FEEDER DRIVER		
J1310	VS1-6302-013		1	CONNECTOR, 13P, MALE		
J1310	WS3-5569-000		12	PIN, CONTACT		
J1311	PCB			PAPER FEEDER DRIVER		
J1311	VS1-6302-012		1	CONNECTOR, 12P, MALE		
J1311	WS3-5569-000		12	PIN, CONTACT		
J1312	PCB			PAPER FEEDER DRIVER		
J1312	VS1-5824-006		1	CONNECTOR, 6P, FEMALE		
J1312	WS3-5682-000		6	SOCKET CONTACT, 22-26AWG		
J1401	PCB			PAPER PICK-UP DRIVER		
J1401	VS1-7110-004		1	CONNECTOR, 4P, FEMALE, W		
J1401	WS3-5858-000		2	CONTACT, SOCKET, 20-22AWG		
J1401	WS3-5859-000		2	CONTACT, SOCKET, 16-18AWG		
J1402	PCB			PAPER PICK-UP DRIVER		
J1402	VS1-6313-016		1	CONNECTOR, 16P, FEMALE		
J1402	VS1-6314-016		1	CONNECTOR, 16P, FEMALE		
J1402	VT2-5161-032		1	HOLDER, CONNECTOR, 32P		
J1403	PCB			PAPER PICK-UP DRIVER		
J1403	VS1-6313-010		1	CONNECTOR, 10P, FEMALE		
J1403	VS1-6314-010		1	CONNECTOR, 10P, FEMALE		
J1403	VT2-5161-020		1	HOLDER, CONNECTOR, 20P		

FIGURE & KEY NO.	PARTS NUMBER	R A N K	Q'TY	DESCRIPTION	SERIAL NUMBER/ REMARKS	S V C
J1404	PCB			PAPER PICK-UP DRIVER		
J1404	VS1-6314-008		1	CONNECTOR, 8P, FEMALE		
J1405	PCB			PAPER PICK-UP DRIVER		
J1405	VS1-6302-012		1	CONNECTOR, 12P, MALE		
J1405	WS3-5569-000		12	PIN, CONTACT		
J1406	PCB			PAPER PICK-UP DRIVER		
J1406	VS1-6302-012		1	CONNECTOR, 12P, MALE		
J1406	WS3-5569-000		12	PIN, CONTACT		
J1407	PCB			PAPER PICK-UP DRIVER		
J1407	VS1-6302-006		1	CONNECTOR, 6P, MALE		
J1407	WS3-5569-000		6	PIN, CONTACT		
J1501	PCB			HV1		
J1501	VS1-6314-012		1	CONNECTOR, 12P, FEMALE		
J1502	PCB			PRE-TRANSFER H.V.		
J1502	VS1-7110-002		1	CONNECTOR, 2P, FEMALE, W		
J1502	WS3-5858-000		2	CONTACT, SOCKET, 20-22AWG		
J1601	PCB			DEVELOPING H.V.		
J1601	VS1-6314-013		1	CONNECTOR, 13P, FEMALE		
J1602	PCB			DEVELOPING H.V.		
J1602	VS1-7110-002		1	CONNECTOR, 2P, FEMALE, W		
J1602	WS3-5858-000		2	CONTACT, SOCKET, 20-22AWG		
J1605	PCB			DEVELOPING H.V.		
J1605	VS1-6314-012		1	CONNECTOR, 12P, FEMALE		
J1606	PCB			DEVELOPING H.V.		
J1606	VS1-6314-017		1	CONNECTOR, 17P, FEMALE		
J1607	PCB			DEVELOPING H.V. SUB		
J1607	VS1-6314-017		1	CONNECTOR, 17P, FEMALE		
J1611	PCB			DEVELOPING H.V.		
J1611	VS1-7110-009		1	CONNECTOR, 9P, FEMALE, W		
J1611	WS3-5858-000		3	CONTACT, SOCKET, 20-22AWG		
J1612	NPN			BLACK DEVELOPING UNIT		
J1612	VS1-6982-004		1	CONNECTOR, 4P, MALE, W		

FIGURE & KEY NO.	PARTS NUMBER	RANK	Q'TY	DESCRIPTION	SERIAL NUMBER/REMARKS	SVC
J1612	VS1-7110-004		1	CONNECTOR, 4P, FEMALE, W		
J1612	WS3-5815-000		2	CONTACT, PIN, 20-22AWG		
J1612	WS3-5858-000		2	CONTACT, SOCKET, 20-22AWG		
J1613	NPN			COLOR DEVELOPING UNIT		
J1613	VS1-6982-003		1	CONNECTOR, 3P, MALE, W		
J1613	VS1-7110-003		1	CONNECTOR, 3P, FEMALE, W		
J1613	WS3-5815-000		1	CONTACT, PIN, 20-22AWG		
J1613	WS3-5858-000		1	CONTACT, SOCKET, 20-22AWG		
J1614	VS1-6982-001		1	CONNECTOR, 1P, MALE, W		
J1614	VS1-7110-001		1	CONNECTOR, 1P, FEMALE, W		
J1614	WS3-5815-000		1	CONTACT, PIN, 20-22AWG		
J1614	WS3-5858-000		1	CONTACT, SOCKET, 20-22AWG		
J1615	NPN			INTERMED. TRANSFER BELT UNIT		
J1615	VS1-6982-010		1	CONNECTOR, 10P, MALE, W		
J1615	VS1-7110-010		1	CONNECTOR, 10P, FEMALE, W		
J1615	WS3-5815-000		2	CONTACT, PIN, 20-22AWG		
J1615	WS3-5858-000		2	CONTACT, SOCKET, 20-22AWG		
J1616	VS1-6982-002		1	CONNECTOR, 2P, MALE, W		
J1616	VS1-7110-002		1	CONNECTOR, 2P, FEMALE, W		
J1616	WS3-5815-000		1	CONTACT, PIN, 20-22AWG		
J1616	WS3-5858-000		1	CONTACT, SOCKET, 20-22AWG		
J1621	PCB			DEVELOPING H.V.		
J1621	VS1-7110-002		1	CONNECTOR, 2P, FEMALE, W		
J1621	WS3-5858-000		1	CONTACT, SOCKET, 20-22AWG		
J1701	PCB			H.V. TRANSFER		
J1701	VS1-6314-015		1	CONNECTOR, 15P, FEMALE		
J1712	PCB			H.V. TRANSFER		
J1712	VS1-7110-002		1	CONNECTOR, 2P, FEMALE, W		
J1712	WS3-5858-000		1	CONTACT, SOCKET, 20-22AWG		
J1713	FK2-0136-000		1	CABLE, HIGH VOLTAGE		
J1713	VS1-7110-002		1	CONNECTOR, 2P, FEMALE, W		
J1713	WS3-5858-000		1	CONTACT, SOCKET, 20-22AWG		

FIGURE & KEY NO.	PARTS NUMBER	RANK	Q'TY	DESCRIPTION	SERIAL NUMBER/REMARKS	SVC
J1714	VS1-6982-001		1	CONNECTOR, 1P, MALE, W		
J1714	VS1-7110-001		1	CONNECTOR, 1P, FEMALE, W		
J1714	WS3-5815-000		1	CONTACT, PIN, 20-22AWG		
J1714	WS3-5858-000		1	CONTACT, SOCKET, 20-22AWG		
J1801	PCB			AC DRIVER		
J1801	VS1-6956-002		1	CONNECTOR, 2P, FEMALE		
J1802	PCB			AC DRIVER		
J1802	VS1-7110-003		1	CONNECTOR, 3P, FEMALE, W		
J1802	WS3-5859-000		2	CONTACT, SOCKET, 16-18AWG		
J1803	PCB			AC DRIVER		
J1803	VS1-7110-002		1	CONNECTOR, 2P, FEMALE, W		
J1803	WS3-5859-000		2	CONTACT, SOCKET, 16-18AWG		
J1804	PCB			AC DRIVER		
J1804	VS1-7110-003		1	CONNECTOR, 3P, FEMALE, W		
J1804	WS3-5859-000		2	CONTACT, SOCKET, 16-18AWG		
J1805	PCB			AC DRIVER		
J1805	VS1-7110-003		1	CONNECTOR, 3P, FEMALE, W		
J1805	WS3-5858-000		2	CONTACT, SOCKET, 20-22AWG		
J1806	PCB			AC DRIVER		
J1806	VS1-7110-005		1	CONNECTOR, 5P, FEMALE, W		
J1806	WS3-5858-000		4	CONTACT, SOCKET, 20-22AWG		
J1807	PCB			AC DRIVER		
J1807	VS3-5002-003		1	CONNECTOR, PCB, 3P, FEMALE		
J1807	WS3-1226-000		2	CONTACT, SOCKET		
J1810	PCB			AC DRIVER		
J1810	VS1-6314-019		1	CONNECTOR, 19P, MALE		
J1811	PCB			AC DRIVER		
J1811	VS1-6302-004		1	CONNECTOR, 4P, MALE		
J1811	WS3-5569-000		3	PIN, CONTACT		
J1812	PCB			AC DRIVER		
J1812	VS1-6958-002		1	CONNECTOR, 2P, FEMALE, BK		
J1812	WS3-5688-000		2	CONTACT, SOCKET, 14-16AWG		

FIGURE & KEY NO.	PARTS NUMBER	R A N K	Q'TY	DESCRIPTION	SERIAL NUMBER/ REMARKS	S V C
J1813	PCB			AC DRIVER		
J1813	VS1-6302-002		1	CONNECTOR, 2P, MALE		
J1813	WS3-5680-000		2	SOCKET CONTACT, 20-24AWG		
J1816	PCB			AC DRIVER		
J1816	VS1-6314-003		1	CONNECTOR, 3P, MALE		
J1817	PCB			AC DRIVER		
J1817	VS1-6314-003		1	CONNECTOR, 3P, MALE		
J1818	PCB			AC DRIVER		
J1818	VS1-6314-009		1	CONNECTOR, 9P, FEMALE		
J1819	PCB			AC DRIVER		
J1819	VS1-6314-011		1	CONNECTOR, 11P, FEMALE		
J1820	PCB			AC DRIVER		
J1820	VS1-6314-009		1	CONNECTOR, 9P, FEMALE		
J1821	PCB			AC DRIVER		
J1821	VS1-6314-011		1	CONNECTOR, 11P, FEMALE		
J1822	PCB			AC DRIVER		
J1822	VS1-6302-005		1	CONNECTOR, 5P, MALE		
J1822	WS3-5680-000		5	SOCKET CONTACT, 20-24AWG		
J1823	PCB			AC DRIVER		
J1823	VS1-6302-005		1	CONNECTOR, 5P, MALE		
J1823	WS3-5680-000		5	SOCKET CONTACT, 20-24AWG		
J1850	PCB			SWITCH		
J1850	VS1-7110-005		1	CONNECTOR, 5P, FEMALE, W		
J1850	WS3-5858-000		5	CONTACT, SOCKET, 20-22AWG		
J1851	SYS			TO DECK HEATER	ACCESSORY	
J1851	WS5-5087-000		1	SOCKET, AC, OUTLET		
J1901	PCB			LASER DRIVER		
J1901	VS1-6314-008		1	CONNECTOR, 8P, FEMALE		
J1902	PCB			LASER DRIVER		
J1902	VS1-5824-003		1	CONNECTOR, 3P, FEMALE		
J1902	WS3-5682-000		3	SOCKET CONTACT, 22-26AWG		
J2110	PCB			FRAME		

FIGURE & KEY NO.	PARTS NUMBER	RANK	Q'TY	DESCRIPTION	SERIAL NUMBER/REMARKS	SVC
J2110	VS1-6314-006		1	CONNECTOR, 6P, FEMALE	ACCESSORY	
J2111	VS1-6314-012		2	CONNECTOR, 12P, FEMALE		
J2111	VS1-7173-012		1	CONNECTOR, SNAP TIGHT, 12P, W		
J2113	SYS			TO KEY SWITCH		
J2113	VS1-7178-002		1	CONNECTOR, 2P, FEMALE		
J2115	PCB			ECO-ID		
J2115	VS1-6314-009		1	CONNECTOR, 9P, FEMALE		
J2116	VS1-6313-018		2	CONNECTOR, 18P, FEMALE		
J2116	VS1-6314-018		2	CONNECTOR, 18P, MALE		
J2116	VS1-7164-036		1	CONNECTOR, SNAP TIGHT, 36P, W		
J2116	VT2-5161-036		2	HOLDER, CONNECTOR, 36P		
J2117	VS1-6313-018		2	CONNECTOR, 18P, FEMALE		
J2117	VS1-6314-018		2	CONNECTOR, 18P, MALE		
J2117	VS1-7164-036		1	CONNECTOR, SNAP TIGHT, 36P, W		
J2117	VT2-5161-036		2	HOLDER, CONNECTOR, 36P		
J2118	PCB			CONTROL PANEL CPU		
J2118	VS1-6313-018		1	CONNECTOR, 18P, FEMALE		
J2118	VS1-6314-018		1	CONNECTOR, 18P, MALE		
J2118	VT2-5161-036		1	HOLDER, CONNECTOR, 36P		
J2122	VS1-6321-004		2	CONNECTOR, 4P, FEMALE		ACCESSORY
J2122	VS1-7177-004		1	CONNECTOR, SNAP TIGHT, BK		
J2123	SYS			TO NEW COIN ROBO		
J2123	VS1-6321-012		2	CONNECTOR, 12P, FEMALE		
J2123	VS1-7177-012		1	CONNECTOR, SNAP TIGHT, BK		
J2124	SYS			TO CARD READER	ACCESSORY	
J2124	VS1-6314-005		1	CONNECTOR, 5P, FEMALE	ACCESSORY	
J2125	SYS			TO NE CONTROLLER		
J2125	VS1-6321-008		1	CONNECTOR, 8P, FEMALE		
J2126	PCB			MAIN BOARD		
J2126	VS3-5083-004		1	CONNECTOR, 4P, FEMALE		
J2126	WS3-5160-000		4	SOCKET CONTACT, 18-24AWG		
J2127	PCB			HDD		

FIGURE & KEY NO.	PARTS NUMBER	R A N K	Q'TY	DESCRIPTION	SERIAL NUMBER/ REMARKS	S V C
J2127	X65-5854-000		1	CONNECTOR, 4P, FEMALE		
J2127	X62-5133-000		4	SOCKET, MATE-N-LOCK		
J2130	PCB			CONTROL PANEL CPU		
J2130	VS1-6321-003		1	CONNECTOR, 3P, FEMALE		
J2131	PCB			CONTROL PANEL INVERTER		
J2131	VS1-6321-002		1	CONNECTOR, 2P, FEMALE		
J2132	PCB			CONTROL PANEL KEY		
J2132	VS1-6314-016		1	CONNECTOR, 16P, FEMALE		
J2133	PCB			CONTROL PANEL KEY		
J2133	VS1-6314-014		1	CONNECTOR, 14P, MALE		
J2134	PCB			CONTROL PANEL CPU		
J2134	VS1-6314-013		1	CONNECTOR, 13P, FEMALE		
J2135	PCB			CONTROL PANEL CPU		
J2135	VS1-6314-011		1	CONNECTOR, 11P, FEMALE		
J5100	VS4-0001-002		1	CONNECTOR, 2P, MALE		
J5100	VS4-0002-002		1	CONNECTOR, 2P, FEMALE		
J5100	WS4-0217-000		2	SOCKET CONTACT, 22-18AWG		
J5100	WS4-0220-000		2	PIN CONTACT, 22-26AWG		
J5101	SYS			TO READER HEATER	ACCESSORYH502	
J5101	VS4-0002-002		1	CONNECTOR, 2P, FEMALE		
J5101	WS4-0218-000		2	SOCKET CONTACT, 22-26AWG		
J5102	SYS			TO READER HEATER	ACCESSORYH501	
J5102	VS4-0002-002		1	CONNECTOR, 2P, FEMALE		
J5102	WS4-0218-000		2	SOCKET CONTACT, 22-26AWG		

Prepared by
OIP Business Support Group
CANON INC.

Canon